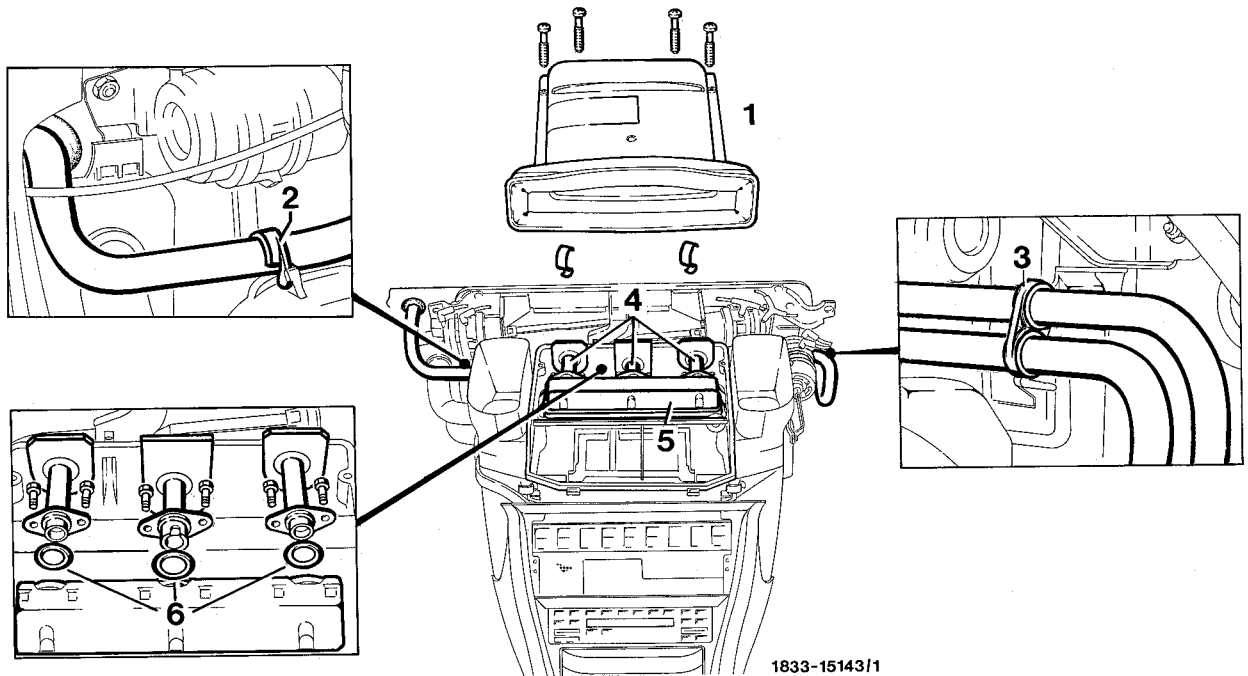


83-522 Removal and installation of heat exchanger

Operation number of operation texts and work units or standard texts and flat rates
83-0291

A. Up to approx. 05/90



Battery	disconnect.
Coolant	drain (20-010).
Feed and return hose	disconnect and flush remaining coolant out of heat exchanger with compressed air.
Instrument panel	remove (68-100).
Cover (1)	remove, 4 screws and 2 clips.
Clamp (2)	unhook.
Clamp (3)	unhook.
3 pipes (4) on heat exchanger	disconnect and pull out of heat exchanger.

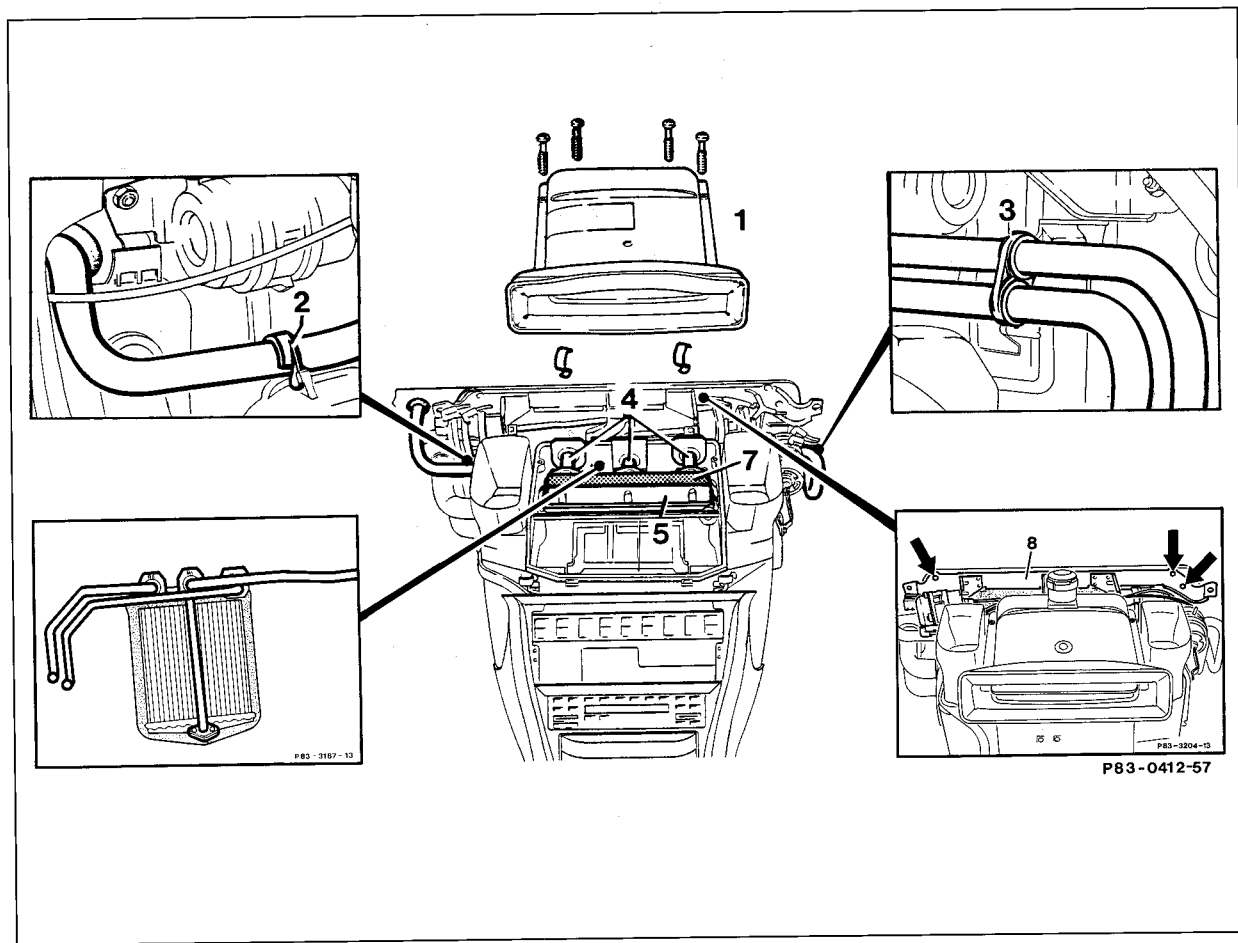
- | | |
|--------------------------|---|
| Heat exchanger (5) | pull out toward top. Clean inside of housing and remove any leaked coolant. |
| Reinstall | in reverse order. |
| Sealing rings (6) | replace, 3 each. |

Installation note

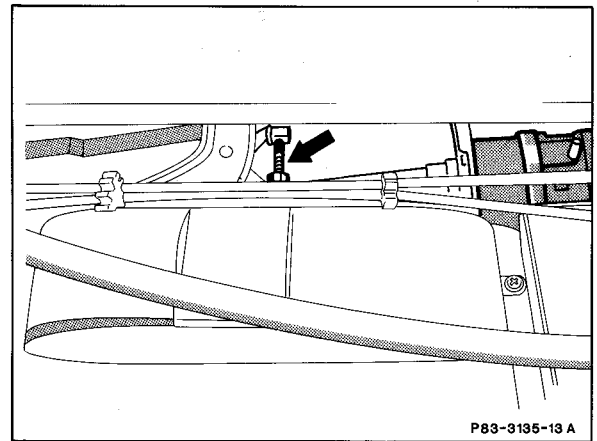
After recharging the cooling system with coolant check for leakage.

B. As of approx. 06/90

As of vehicle ident. no. Sindelfingen prod. 241 052
 As of vehicle ident. no. Bremen prod. 146 557



Battery	disconnect negative terminal.
Coolant	drain (20-010).
Feed and return hose	disconnect, and flush remaining coolant out of heat exchanger with compressed air.
Heater housing (air conditioner)	remove (83-100).
Support for vacuum elements (8)	unscrew (3 screws). Unclip control linkage for main air flap (arrow).



Cover (1)	remove, 4 screws and 2 clips.
Clip (2)	unclip.
Clip (3)	unclip.
Heat exchanger (5)	pull out toward top together with pipes (4). Clean inside of housing and remove any coolant which has escaped.
Three pipes (4) on heat exchanger	disconnect.
Re-install	in reverse sequence.
Sealing rings	replace (three).

Installation note

After recharging the coolant system with coolant, check for leakage.