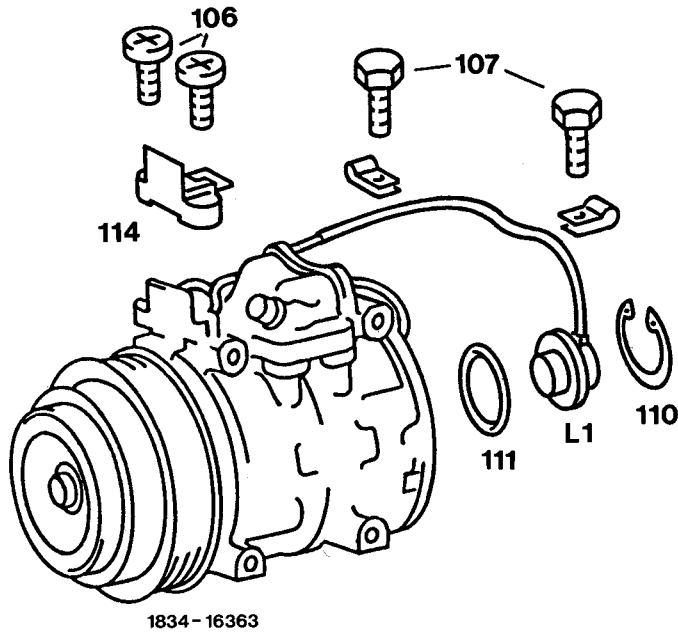


83-532 Removal and installation of speed sensor on A/C compressor

Operation no. and operation texts and work units or standard texts and flat rates 83-0643



A/C compressor	remove/install (83-530).
Screws (106 and 107)	unscrew, screw in.
Connector housing (114)	open and disconnect/reconnect both connector pins for speed sensor.
Snap ring (110)	remove/install.
Speed sensor (L1)	pull out/install. Replace O-ring (111) and coat with refrigeration oil.
Allow refrigerant to flow into A/C compressor at service valve (arrow)	and check A/C compressor for leakage with leak detector.
Air-conditioner	evacuate, charge and check for proper function and leakage (83-508).