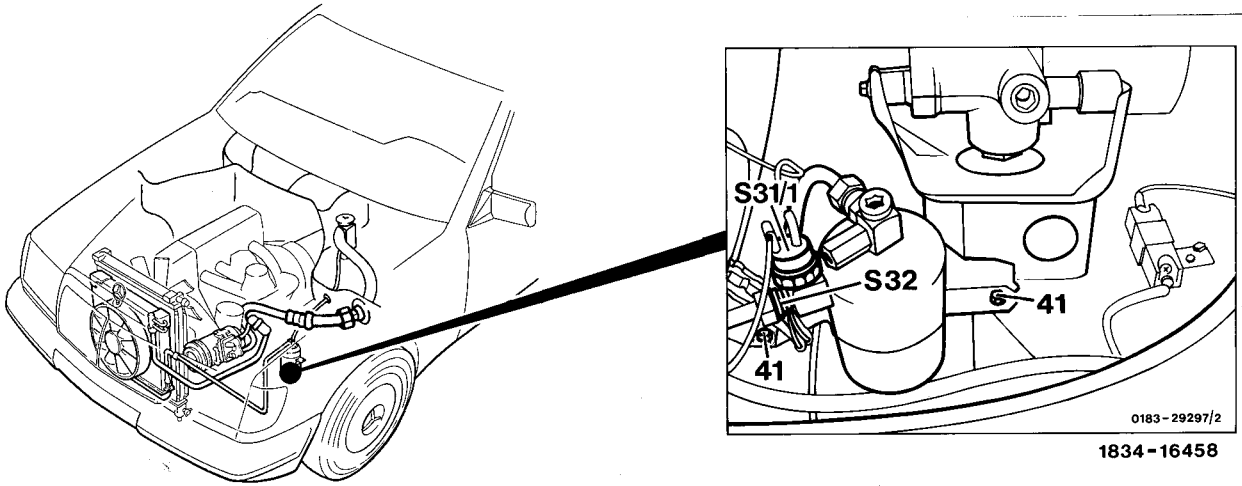


83-540 Removal and installation of fluid reservoir

Operation no. of operation texts and work units or standard texts
and flat rates
83-0740

A. All models 124 except models 124.034/036



Air-conditioner	empty (recycling).
Plug from pressure switches (S31 and S32)	disconnect.
Both pressure switches	screw off.
Lines on fluid reservoir	disconnect/connect and tighten to 15-18 Nm.
Both screws (41)	unscrew and remove fluid reservoir.
Reinstall in reverse order	install, lubricating the thread for the hose with compressor oil. If the fluid reservoir has been replaced, fill the new fluid reservoir with approx. 10 cm ³ compressor oil.
Air-conditioner	evacuate, recharge, check for leakage and proper function (83-508), allow engine to run at idle speed only for first 4 minutes.

Note

In the event of airconditioner malfunctions resulting from leakage, contamination or icing up always install a new fluid reservoir when the A/C compressor is repaired or replaced.

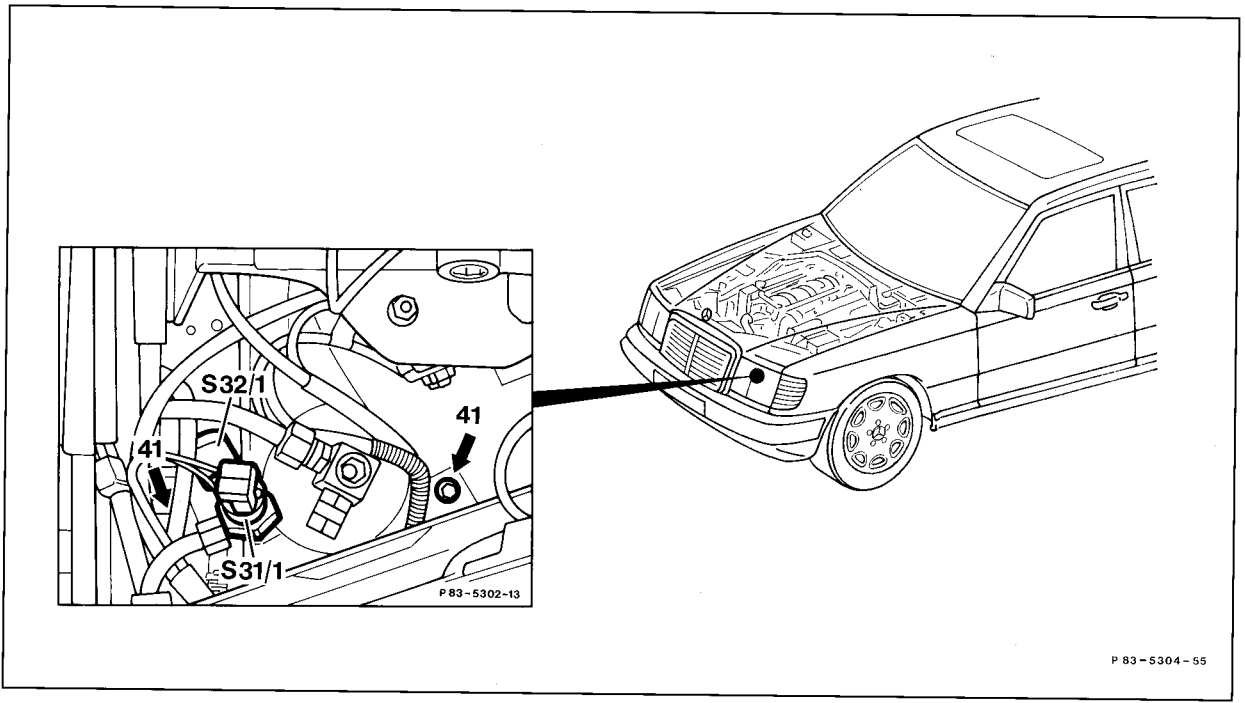
Data

Version	Steel housing for R12 refrigerant, aluminum housing for R134a refrigerant, with sight glass
Safety valve (a)	Blows off at refrigerant pressure of 40 ± 5 bars. Closes at max. 5 bars below opening pressure.



Parts which have come into contact with compressor oil for R12 or R134a may only be installed in systems operating with the same refrigerant.

B. Models 124.034/036



- | | |
|--|---|
| Air conditioner | empty (recycling). |
| Plug from pressure switches (S31/1 and S32/1) .. | detach. |
| Both pressure switches | unscrew. |
| Lines to fluid reservoir | disconnect, connect and tighten to 15-18 Nm. |
| Both bolts (41) | unscrew and remove fluid reservoir. |
| Install | in reverse sequence, lubricating the thread for the hoses with compressor oil. If the fluid reservoir has been replaced, fill the new fluid reservoir with approx. 10 cm ³ compressor oil. |
| Air conditioner | evacuate, fill, check operation and for leakage (83-508), allowing the engine to idle only in the first 4 minutes. |

Note

In the event of air conditioner malfunctions resulting from leakage, contamination or icing up, in general install a new fluid reservoir when the compressor is repaired or renewed.

Commercially available tools

Version	Steel housing for R12 refrigerant, aluminum housing for R134a refrigerant, with sight glass
Safety valve (a)	Blows off at refrigerant pressure of 40 ± 5 bar. Closes at max. 5 bar below opening pressure.



Parts which have come into contact with compressor oil for R12 or R134a may only be installed in systems operating with the same refrigerant.

