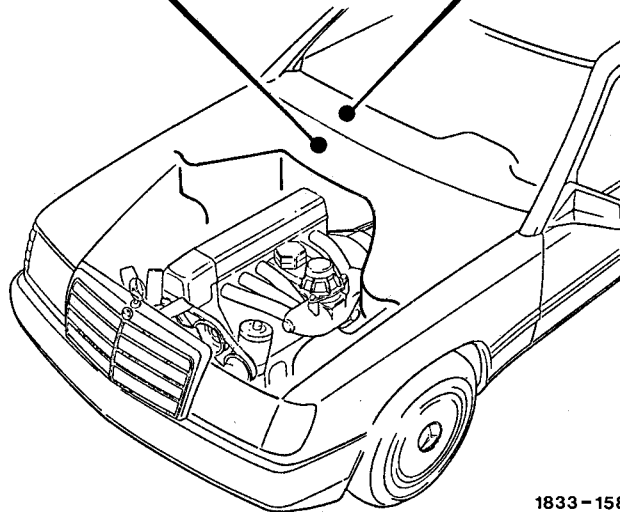
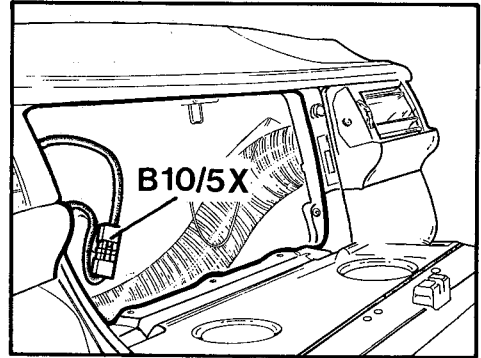
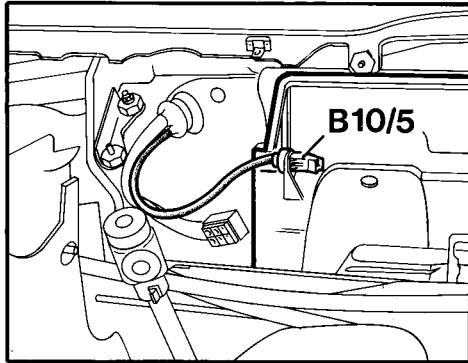


# 83-547 Testing, removal and installation of outside air temperature sensor

Operation no. of operation texts and work units or standard texts  
and flat rates .....



1833-15807

Cover on air inlet (83-140) .....	remove.
Glove box .....	remove.
2-pole plug connector (B10/5x). .....	pull out.
Outside air temperature sensor (B10/5); .....	pull out, for this purpose remove housing for 2-pole connector (B10/5x). Test, replace if required.
Reinstall. ....	in reverse order.
Air conditioner/automatic temperature control (83-507). ....	test.

**Test values**

Sensor temperature in °C	Resistance in kΩ
+ 10	5.0 up to 6.0
+ 15	4.0 up to 4.6
+ 20	3.1 up to 3.9
+ 25	2.4 up to 3.0
+ 30	1.9 up to 2.3
+ 35	1.6 up to 2.0
+ 40	1.4 up to 1.6
+ 45	1.1 up to 1.3

**Commercially available tester**

Multimeter	e.g. Sun, DMM 5
------------	-----------------