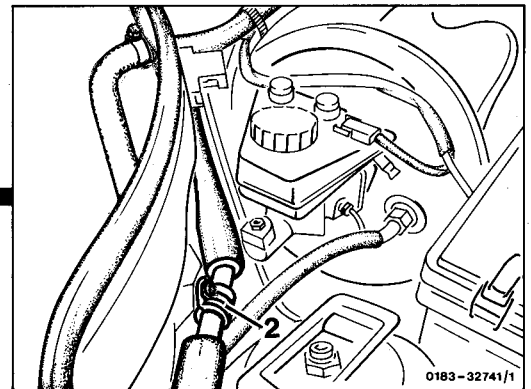
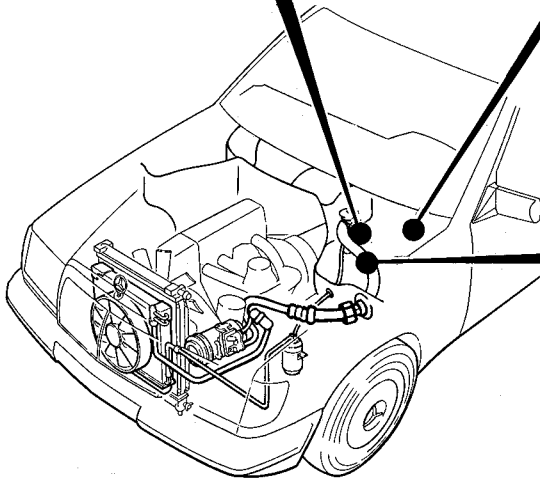
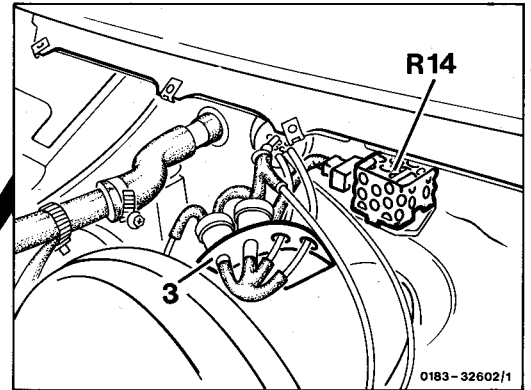
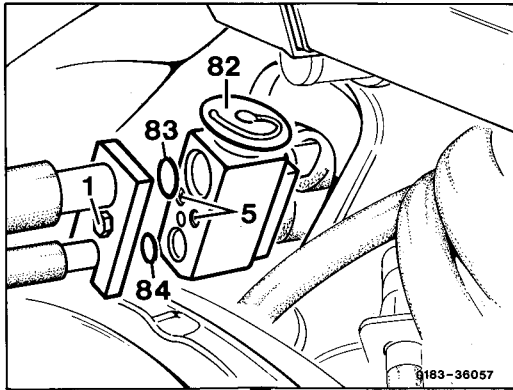


83-552 Removal and installation of expansion valve

Operation no. of operation texts and work units or standard texts and flat rates 83-0750



1834-16462

- | | |
|----------------------------------|--|
| Air conditioner. | drain. |
| Mount for check valves (3) | remove. |
| Clamp (2) | loosen. |
| Screw/hex. nut (1) | unscrew and pull pipes out of expansion valve. |
| | Tighten to 10 ± 3 Nm. |
| Both screws (5) | unscrew and remove expansion valve. Tighten |
| | to 8 ± 2 Nm. |

| | |
|--|---|
| Pipes and fittings on evaporator with dummy plugs | plug. |
| Reinstall | in reverse order; replace O-rings (83 and 84) as well as O-rings on evaporator pipes and moisten with refrigeration oil. |
| Fluid reservoir | replace (83-540). |
| Air conditioner | evacuate and recharge; test for proper function and leakage (83-508); allow engine to run at idle speed only for first 4 minutes. |