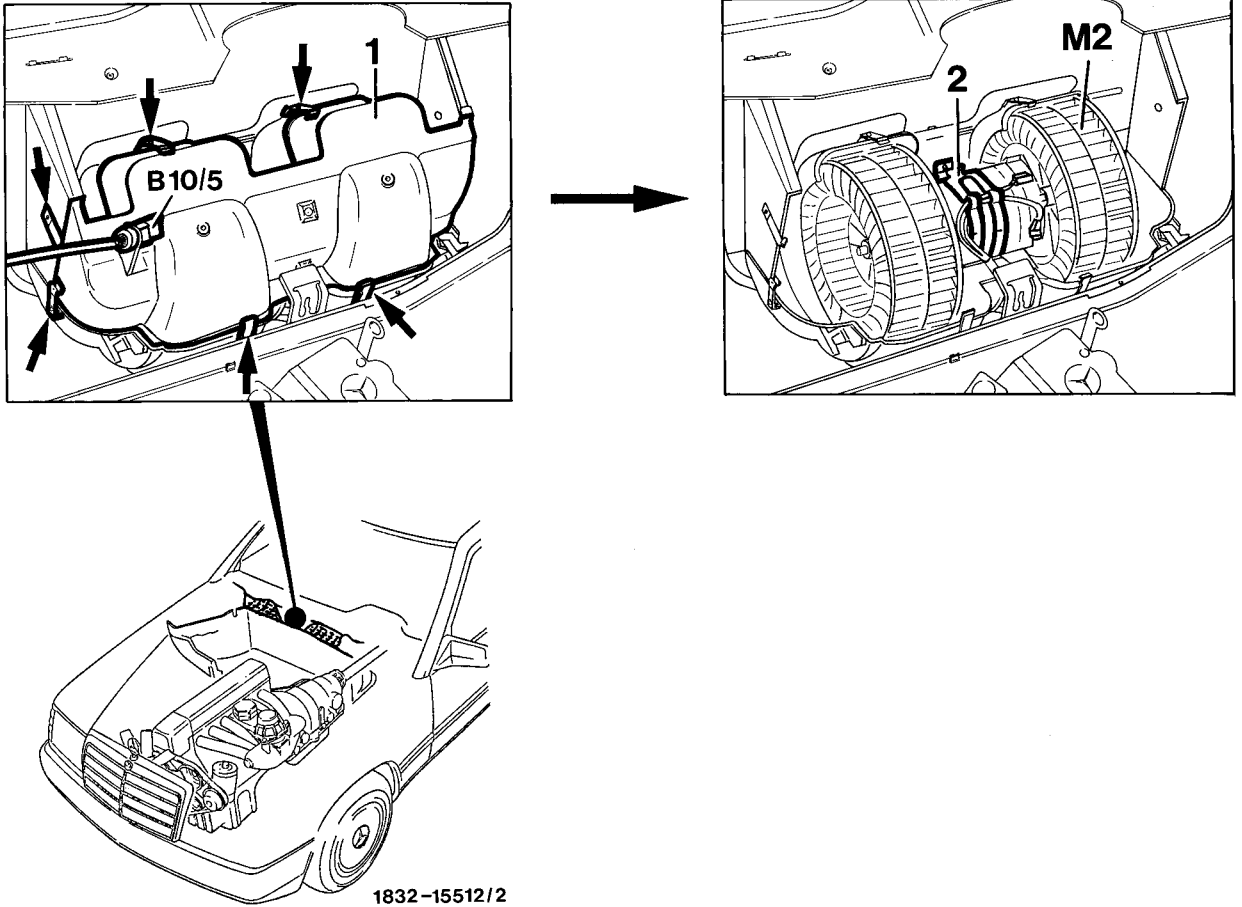


# 83-556 Removal and installation of blower motor

Operation no. of operation texts and work units, standard texts and flat rates:

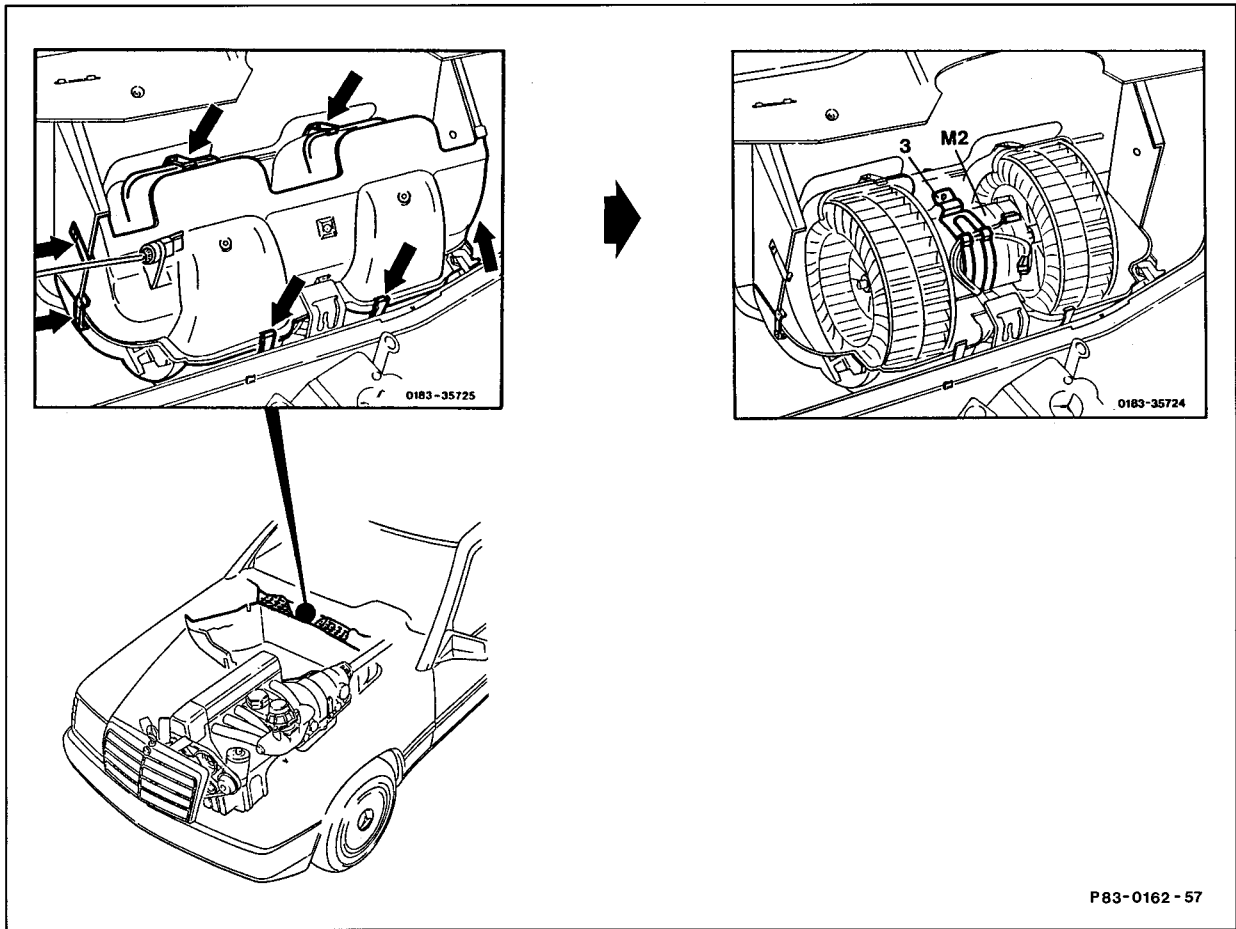
## A. "Behr" air conditioner unit



1832-15512/2

Windshield wiper system .....	remove (82-680).
Outside air temperature sensor (B10/5) .....	pull out.
Cover (1) .....	remove; for this purpose unclip 8 clamps (arrows).
Mounting strap (2) .....	unclip.
Flat plug on blower motor .....	pull off and remove blower motor (M2).
Reinstall in opposite order .....	assure that the blower motor catches properly in the mount.

**B. "Siemens/thermal" air conditioner unit**



P83-0162 - 57

- |                                      |   |
|--------------------------------------|---|
| Wiper system .....                   | remove (82-680).  |
| Outside air temperature sensor ..... | remove.   |
| Cover .....                          | remove, by unclipping 8 clips (arrows).   |
| Retaining strap (3) .....            | unclip.   |
| Flat plug on blower motor .....      | detach and remove blower motor (M2).  |
| Install in reverse sequence .....    | ensure that the blower motor engages correctly in the mounting. If the blower motor has had to be replaced, observe note. |

### Note

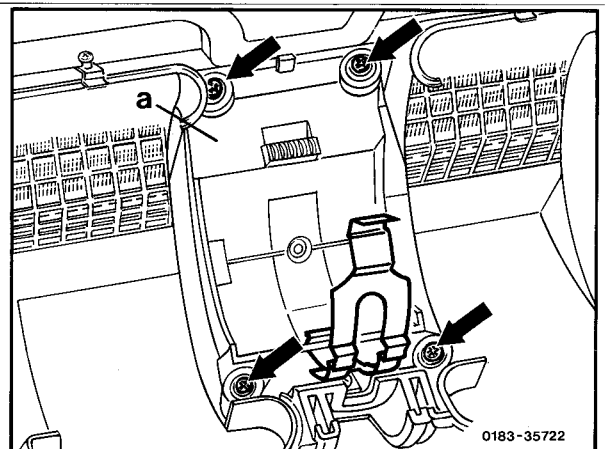
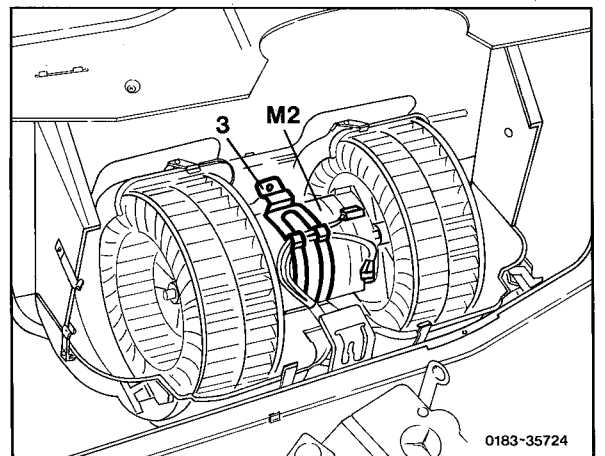
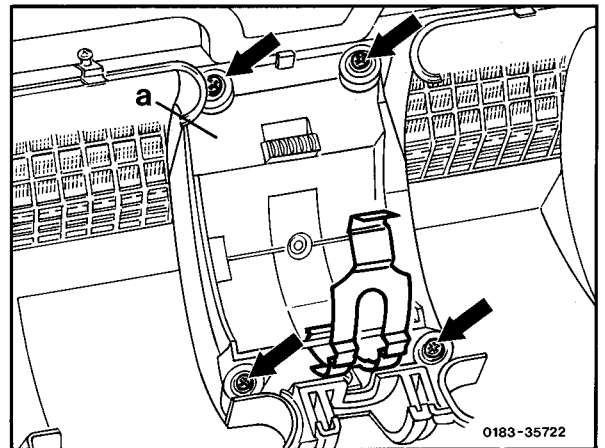
The "Siemens/thermal" air conditioner unit has been installed since 01/88. As only the Behr blower motor is available for all air conditioner units in the replacement parts market, the motor bracket also has to be exchanged when replacing the blower motor on the Siemens/thermal air conditioner unit boxes.

The Siemens/thermal air conditioner unit can be recognised by the bracket on the blower motor, which is secured with 4 screws (arrows) (this is 3 screws in the case of "Behr").

If the electrical cables are soldered to the blower motor, snip off immediately after the connections and solder a push-on bush to the red cable and a flat-pin terminal to the brown cable.

### Scope of work

- 1 Remove bracket (item a) by unscrewing 4 screws (arrows).



2 Install new retaining strap and new bracket (items 2 and 3) with the existing 3 screws (arrows).

3 Install in reverse sequence.

