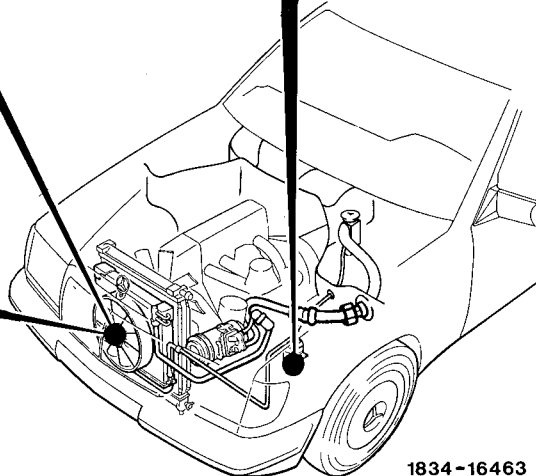
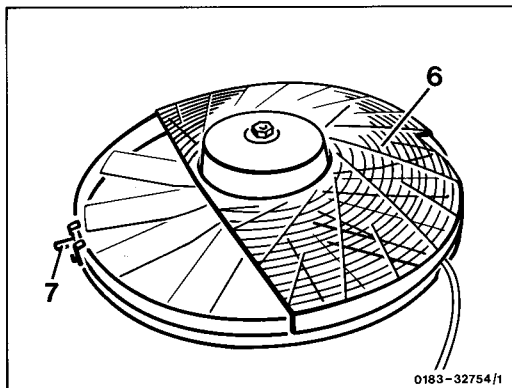
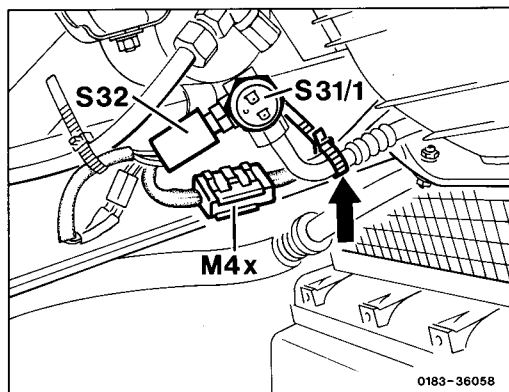
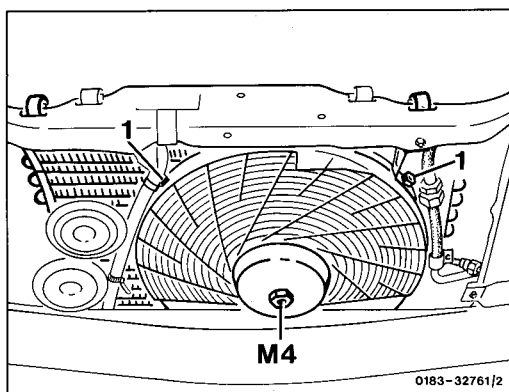


83-560 Removal and replacement of auxiliary fan

Operation no. of operation texts and work units or standard texts and flat rates.
83-0595

A. Engine 102 up to 12/88, engine 103 up to 08/89



- | | |
|-----------------------------------|---|
| 2-pin plug connection (M4x) | disconnect. |
| Cable strap (arrow) | loosen. |
| 2 screws (1) | unscrew and remove auxiliary fan (M4) toward front. |
| Guard screen (6) | unclip. |
| Mount (7) | unscrew |
| Reinstall | in opposite order. |

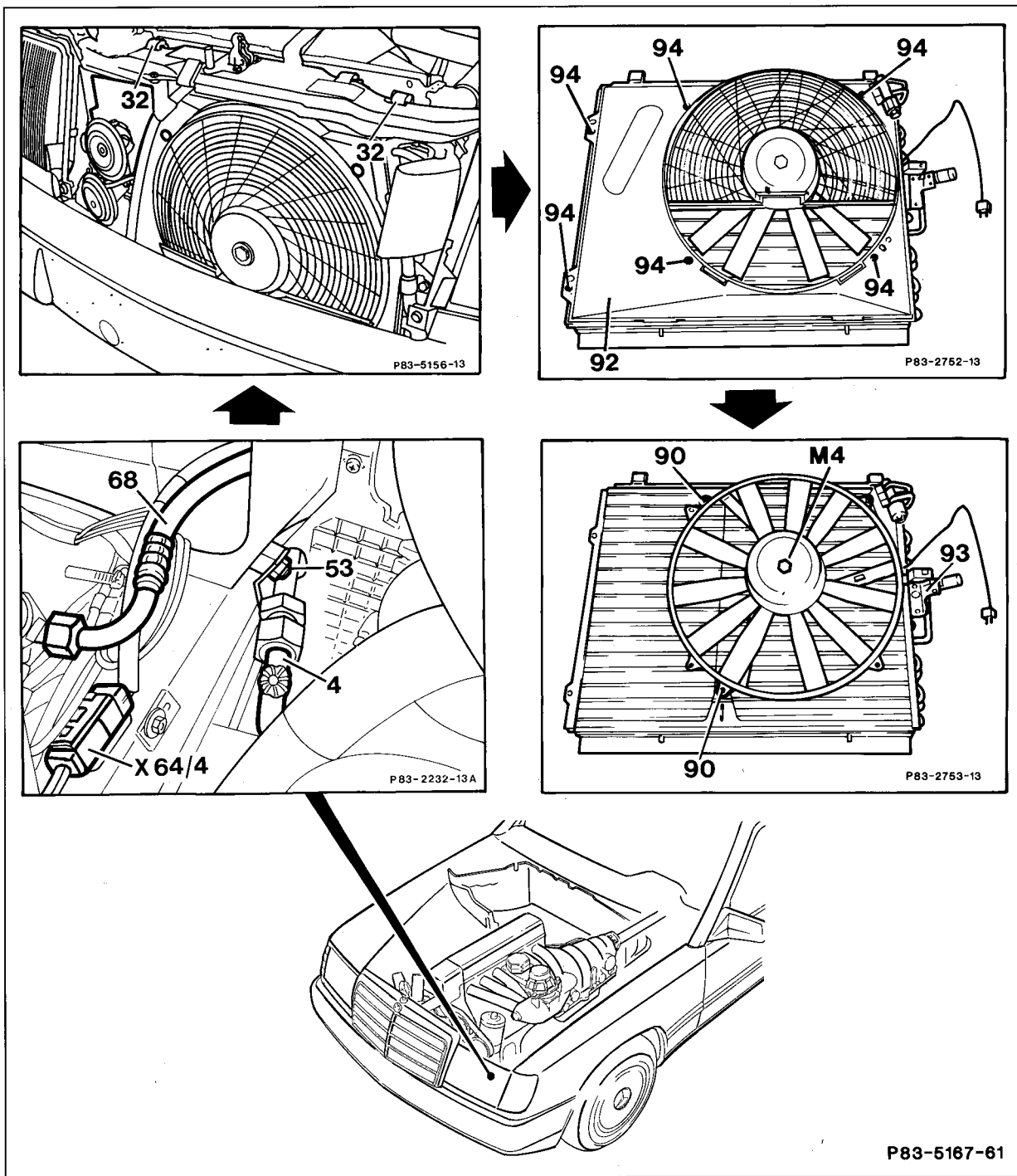
Check auxiliary fan for proper function for this purpose switch on ignition and jump the two terminals on pressure switch (S32); do not disconnect terminals from cable harness.

Check auxiliary fan for proper direction of rotation (clockwise); reverse sockets in 2-pin plug connection (4x) if required.

Data

| | |
|---|-------------|
| Current consumption at 13 V \pm 0.2 V | max. 17.5 A |
|---|-------------|

B. Engine 102 as of 01/89



- | | |
|--------------------|--|
| Condenser | remove (83-538). |
| 6 clips (94) | press out, remove air conditioner unit frame (92). |

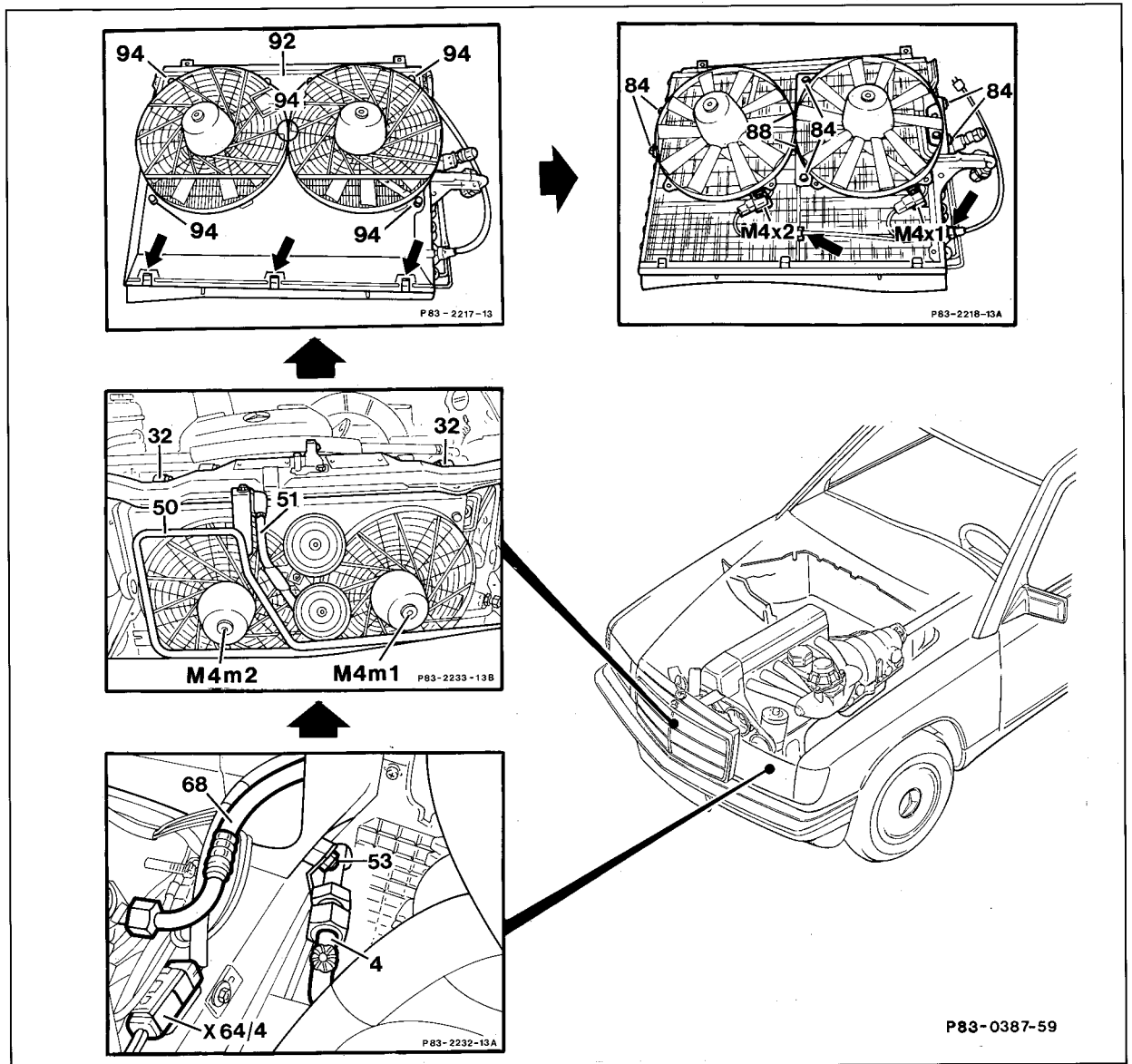
| | |
|--|--|
| 3 screws (90, 93) | slacken. |
| Auxiliary fan | remove. |
| Auxiliary fan | check operation by switching on ignition and bridging both connections on pressure switch (S32). Do not separate connections on cable harness. |
| Direction of rotation of auxiliary fan | check (clockwise), if required transpose bushes in the 2-pin plug connection (X64/4). |

Data

Power consumption at 13V ± 0.2V

max. 17.5 A

C. Engine 103 as of 09/89, 104 and 119



- | | |
|-------------------------------------|---------------------------|
| Pressure lines (68) and (4) | disconnect at condenser. |
| Hexagon nut (53) | slacken. |
| Radiator | remove, install (20-420). |
| 2-pin plug connection (X64/4) | disconnect. |
| Cable strap | slacken. |

| | |
|---|--|
| Both clips (32) | unclip. |
| Condenser | swivel towards engine. |
| Horns | remove, 1 screw. |
| Brace (51) | remove, 3 screws. |
| Coolant pipe (50) | slacken, one other screw. |
| Condenser | remove upwards. |
| 6 clips (94) | press out, remove air conditioner unit frame (92). |
| 2 2-pin plug connections (M4x1, M4x2) | slacken. |
| 6 screws (84) | slacken, remove dual fan forwards. |
| Separate 2 fans | slacken 2 screws diagonally (88), change bracket. |

Note

Before reinstalling the air conditioner unit frame, carry out electrical function check of fan.

| | |
|--|---|
| Check auxiliary fan operation | switch on ignition, detach plug on coolant temperature sensor or on auxiliary fan pressure switch and bridge. |
| Direction of rotation of auxiliary fan | check (clockwise), if required transpose sockets in the 2-pin plug connections (X64/4 or M4x1 on the left and M4x2 on the right). |

Data

| | |
|---|------|
| Power consumption in the second stage at 13 V | 25 A |
|---|------|
