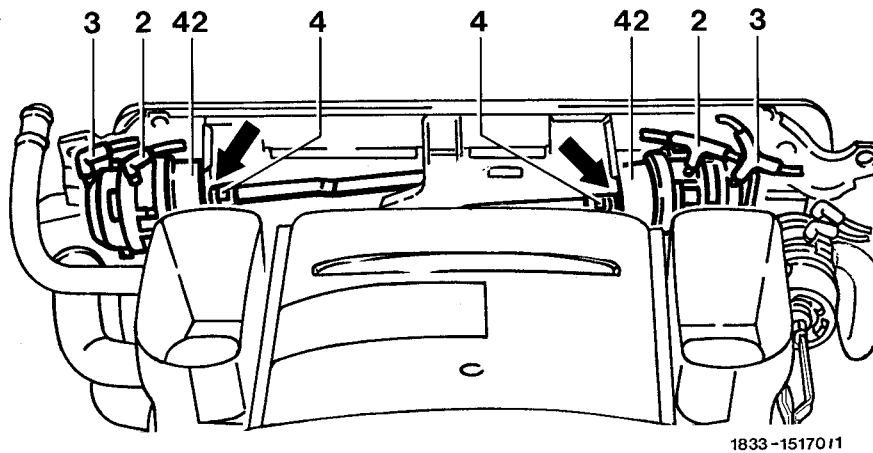


83-568 Removal and installation of vacuum elements

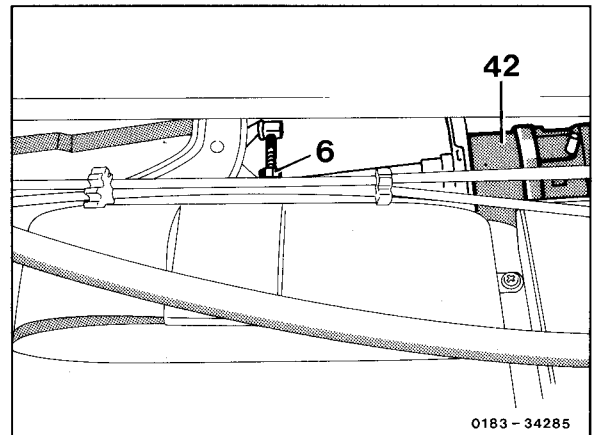
Operation no. of operation texts and work units or standard texts and flat rates
83-0847

A. Vacuum elements for fresh air/recirculated air flap (42)



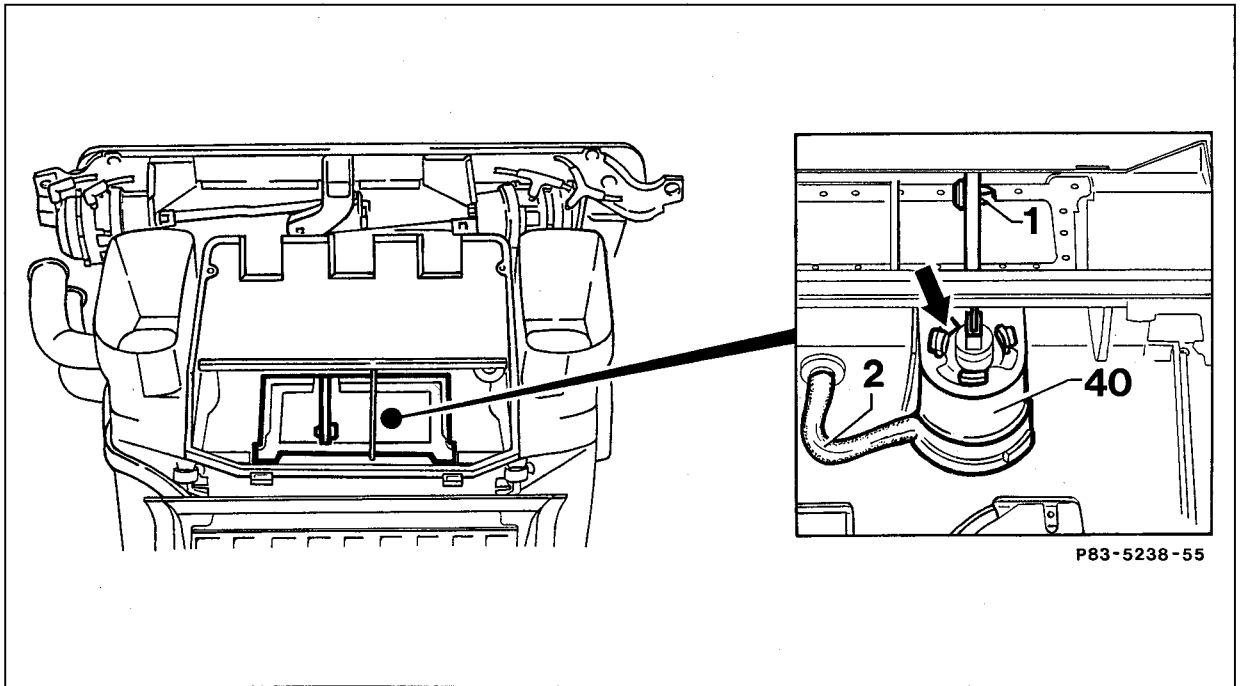
Instrument panel	remove (68-100).
Both vacuum lines (2 and 3)	disconnect.
Clips (4)	open and disconnect actuation rod.
Retainer (arrow)	press down and simultaneously turn vacuum element (42) to left.
Reinstall in reverse order	connect dark red vacuum line (2) at side and medium green/light blue vacuum line (3) at rear.

Check adjustment of fresh air/recirculated air flap, readjust with adjustment screw (6) if required.



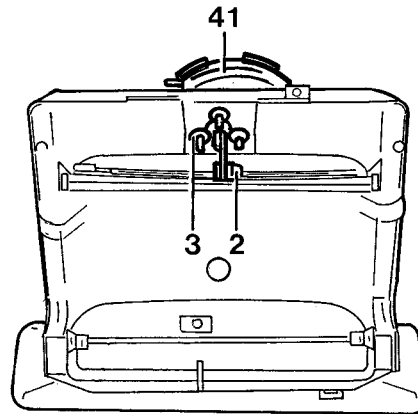
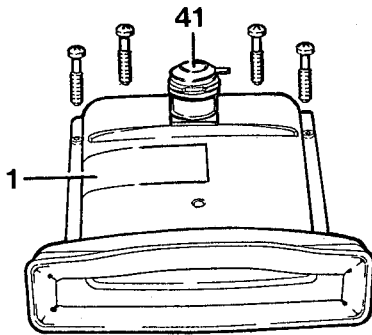
42 Vacuum element for right fresh air/recirculated air flap

B. Vacuum element for blend flap/center nozzle (40) as of 08/91

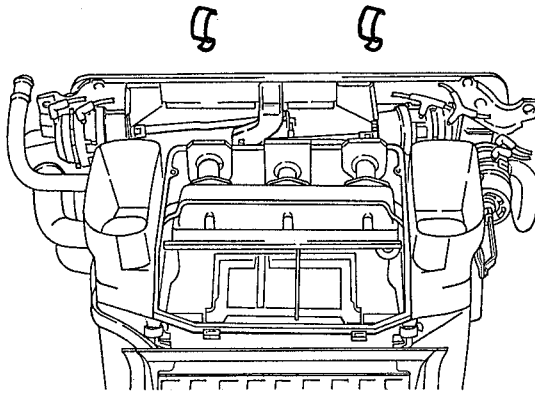


- | | |
|---------------------------------------|--|
| Heat exchanger | remove (83-522). |
| Clips (1) | press off. |
| Hose (2) on vacuum element (40) | detach. |
| Locking device (arrow) | press down and at the same time press the vacuum element (40) to the left. |
- Install in reverse sequence.

C. Vacuum element for diverter flap/center nozzle (41) as of 08/91



1833-15163



- | | |
|---------------------------|-------------------------------|
| Instrument panel | remove (68-100). |
| Cover (1) | remove, 4 screws and 2 clips. |
| Clips (2) | press off. |
| Locking devices (3) | press off. |
- Install in reverse sequence.