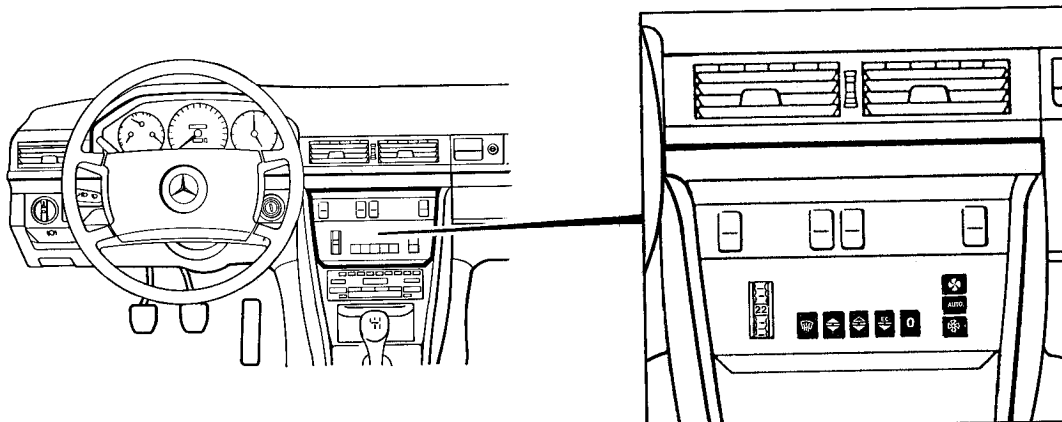


83-601 Checking functions of automatic climate control



1834-15105


During the entire test, allow engine to run at operating temperature (approx. 80°C coolant temperature) and idle speed. Open center and lateral nozzles.

	check with:		
	selector wheel	function button	blower
Defrosting (item 1)	any		any
Total ventilation in cooling operation (item 2)	engaged "MIN"		
Normal adjustment in cooling operation (item 3)	engaged "MIN"		
Normal adjustment in regulating operation (item 4)	= Interior temperature		
Economy in heating operation (item 5)	engaged "MAX"		
Blower minimum (item 6)	22 °C		
Blower maximum (item 7)	22 °C		

Note

This test serves to check the operation of the system without measuring instrument. The text explains further tests with measuring instruments should there be deviations from the nominal functions.

1. Defrosting

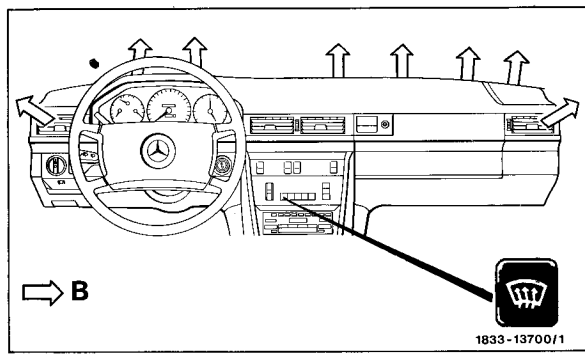
Selector wheel any
Function button 
Blower -

Nominal function:

- Blower runs with increased speed.
- Air upwards.
- Compressor on.
- Max. heating output.



Tests when deviating:

Check electric components of the automatic climate control (83-604). If the heating output is not achieved, renew mono valve or flush cooling system.



B Heated air

2. Total ventilation in cooling operation

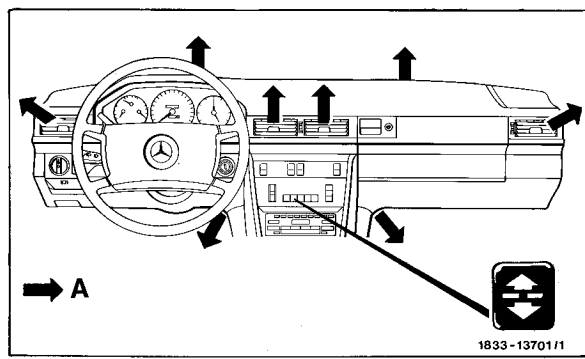
Selector wheel "MIN" engaged
Function button 
Blower 

Nominal function:

- Blower runs with increased speed.
- Air upwards, downwards and in the center.
- No heating output.
- Compressor on.


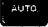
Tests when deviating:

1. Check electric components of the automatic climate control (83-604).
2. If the flaps fail to open, check vacuum system for flap control (83-620).
3. With heated air, check voltage on mono valve, nominal valve > 11 V, renew mono valve if required.



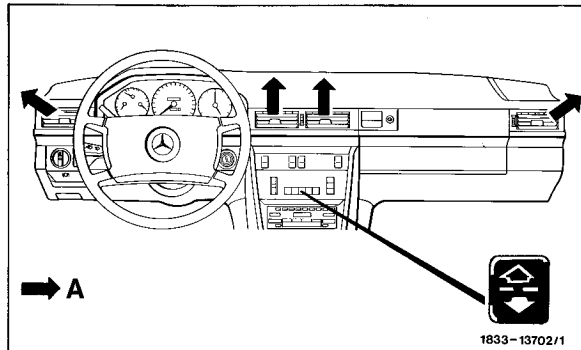
A Cooled air

3. Normal adjustment in cooling operation

Selector wheel engaged "MIN"
 Function button 
 Blower 

Nominal function:

- Blower runs with increased speed.
- Footwell flaps and defroster nozzle flaps close.
- Air only from center and lateral nozzles.
- No heating output.
- Compressor on.

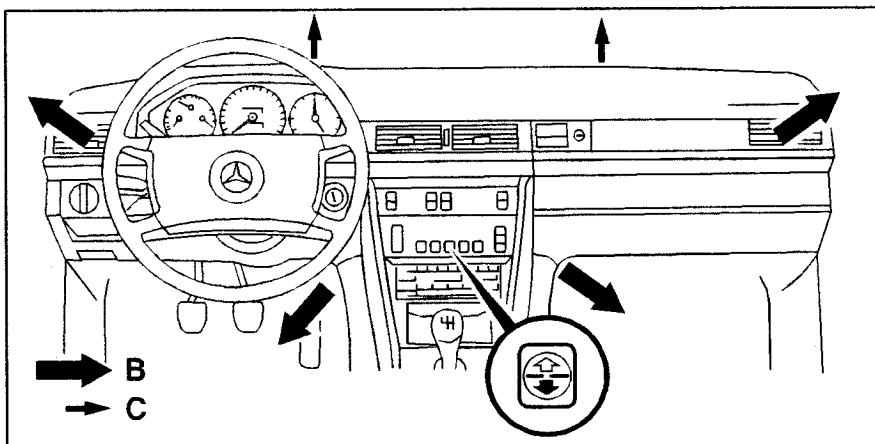


A Cooled air

Tests when deviating:



1. Check electric components of the automatic climate control (83-604).
2. If the defroster nozzles and footwell flaps fail to close, check vacuum system for flap control (83-620).

B Heated air
 C Leakage air (hot)



P83-6253-33

4. Normal adjustment in regulating operation

Selector wheel set according to interior temperature
 Function button 
 Blower 



Nominal function:

- Blower speed decreases.
- Air downwards and in the center and leakage air upwards.
- Regulated air outlet with the mono valve operating in cycles and the circulating pump running.
- Compressor on.

Tests when deviating:

Check electric components of the automatic climate control (83-604).

5. Economy in heating operation

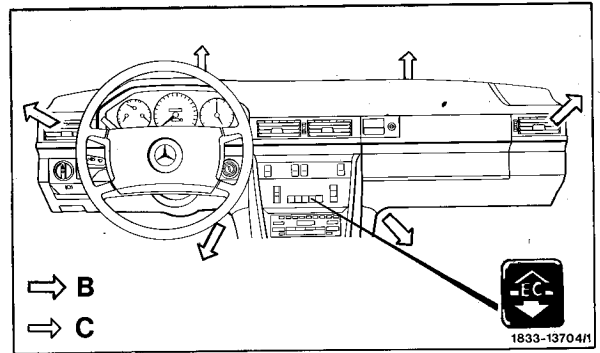
Selector wheel "MAX" (engaged)
Function button 
Blower 

Nominal function:

- Blower speed rises.
- Air downwards, center only outside, and leakage air to the top.
- Max. heating output.



Tests when deviating:

Check electric components of the automatic climate control (83-604).



- B Heated air
C Leakage air (warm)

6. Blower, minimum

Selector wheel 22 °C
Function button 
Blower 



Nominal function:

- Minimum blower speed.

Tests when deviating:

Check electric components of the automatic climate control (83-604, test step 20).

7. Blower, maximum

Selector wheel 22 °C
Function button 
Blower 

Nominal function:

- Max. blower speed.

Tests when deviating:

Check electric components of the automatic climate control (83-604).