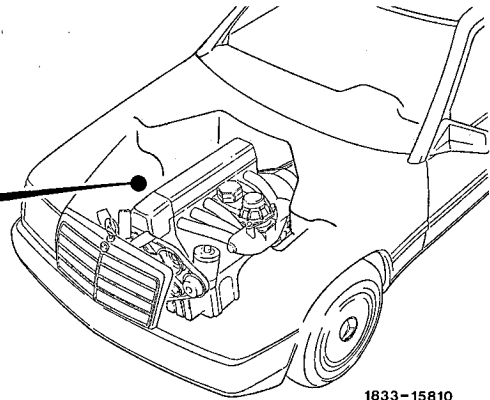
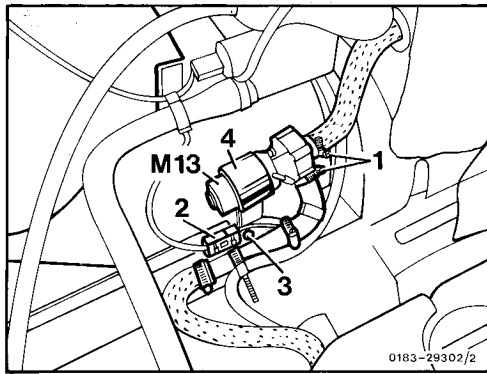


83-630 Removal and installation of heating water circulating pump (M13 or A31m1)

A. Up to 11/92

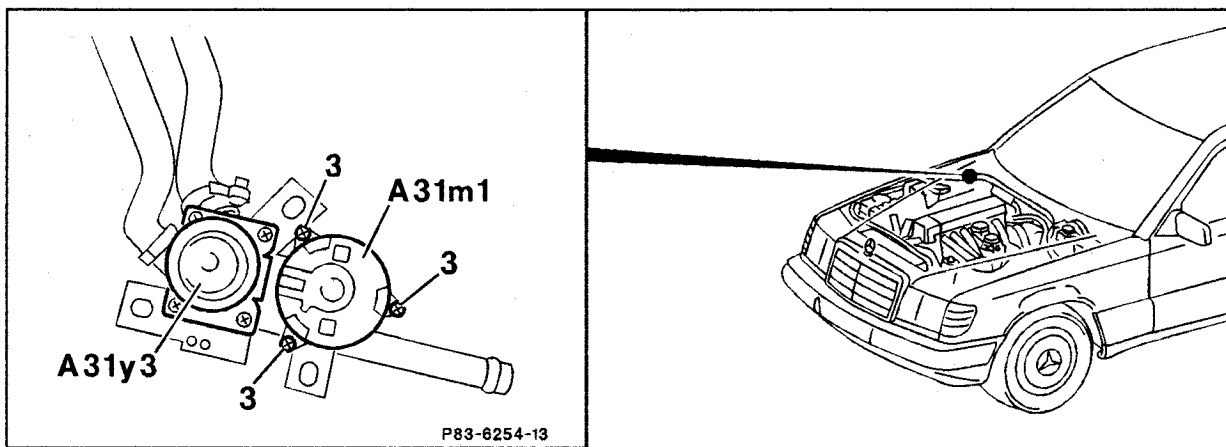


Coolant	Drain
Hose clamps (1)	Loosen
Both hoses	Pull off
Electrical connection (2)	Disconnect
Screw (3)	Unscrew
Circulating pump (M13) from bracket (4)	Pull out
In reverse order	Install

Installation instruction

After filling in the coolant, check the cooling system for leaks. After this, check function of circulating pump, switch on ignition and DEF-button and feel the circulating pump operation with the hand.

B. As of 12/92



Relieve pressure in cooling system	Open.
Hoses	Disconnect.
Electrical plug connection	Separate.
Bolts (3)	Unscrew.
Circulating pump (A31m1)	Remove.
In reverse sequence	Install.

Installation instructions

After filling with coolant, check the cooling system for leakage. Finally check the circulating pump for operation, switch on ignition and DEF button and fasten circulating pump.