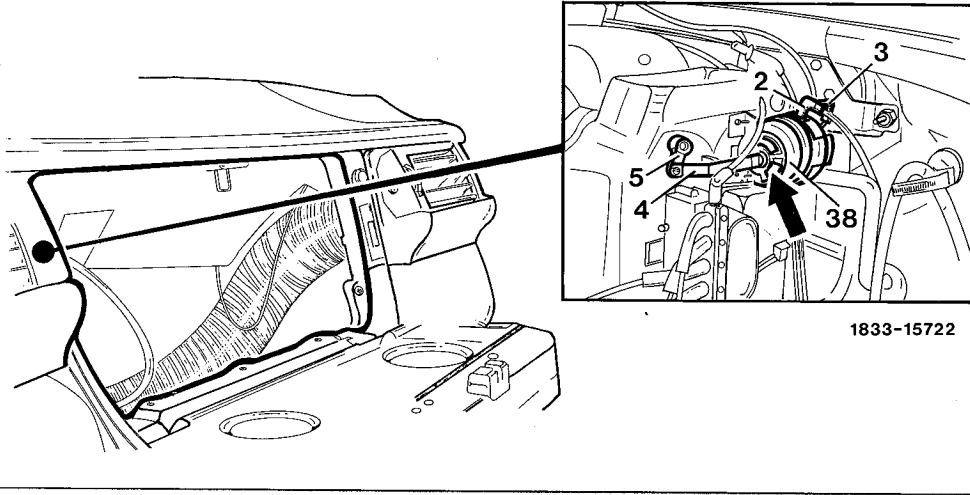


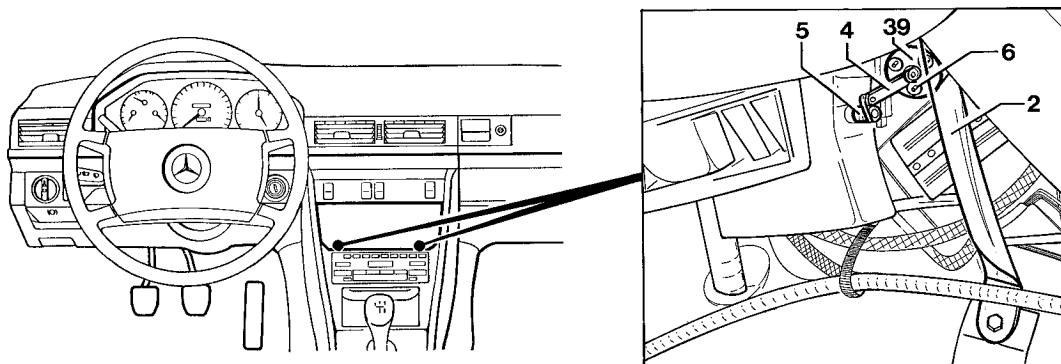
A. Vacuum element (38) for defroster nozzle flaps



- | | |
|--------------------------------------|-------------------------------------------------------------------------------------------------------------------|
| Glove box | Remove |
| Both vacuum lines (2 and 3) | Pull off |
| Actuation rod (4) on lever (5) | Unclip |
| Lock (arrow) | Depress and turn the vacuum element (38) to the left at the same time |
| In reverse order | Install, connecting the red/light blue vacuum line (2) at the side and the vacuum line red/white (3) at the back. |

B. Vacuum elements (39) for footwell flaps

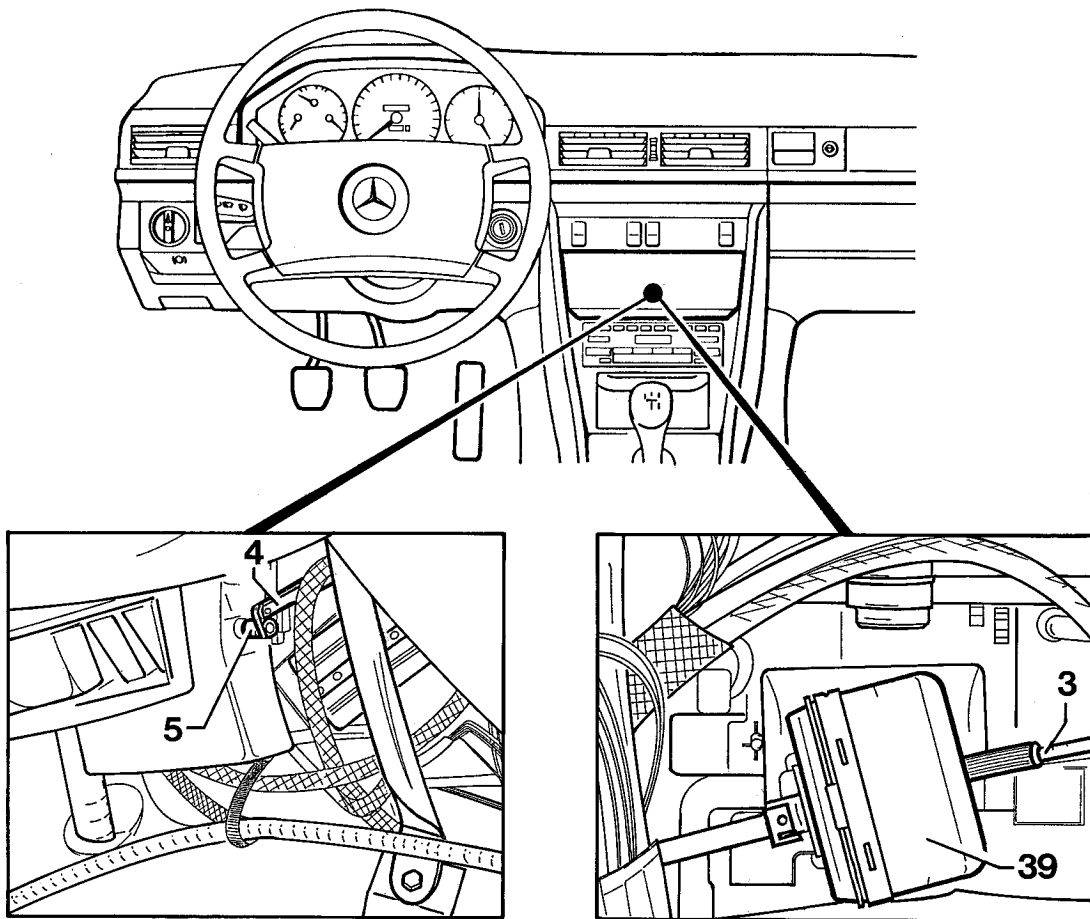
a) On vehicles up to 08/86



1833-15180

Control unit	Remove (83-635, section A)
Lateral covering on center console left or right ..	Remove
When removing the left vacuum element	Remove air duct for rear passenger compartment
When removing the left vacuum element	Remove strut (2)
Vacuum line on element (39)	Pull off
Actuation rod (4) on lever (5)	Press off
3 locks (6)	Press off
In reverse order	Install, mounting the locks (6) with rubber washers

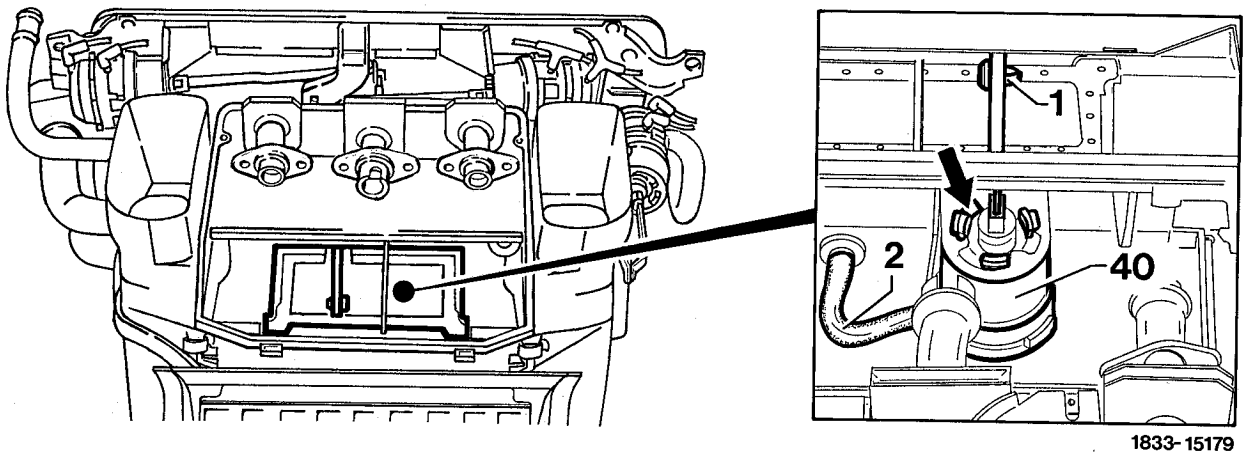
b) On vehicles as of 09/86



1833-15182

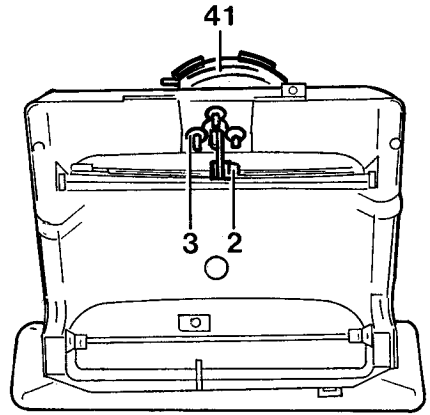
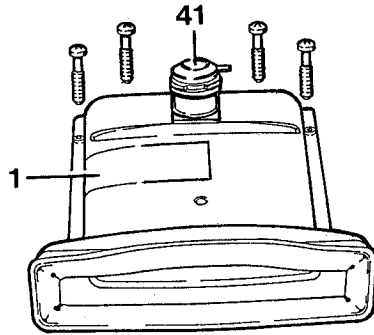
Control unit	Remove (83-635, section A)
Vacuum line (3)	Pull off
Actuation rod (4) on lever (5)	Press off
Vacuum element (39) from holder	Pull off
In reverse order	Install

C. Vacuum element (40) for center nozzle flap

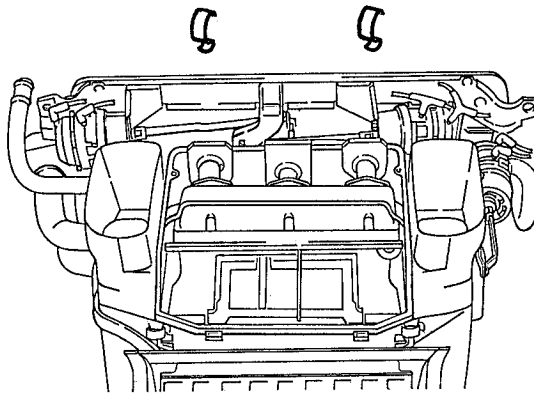


Heat exchanger	Remove (83-622)
Clip (1)	Press off
Hose (2) on vacuum element (40)	Pull off
Lock (arrow)	Press down and turn the vacuum element (40) to the left at the same time
In reverse order	Install

D. Vacuum element (41) for diverter air flap

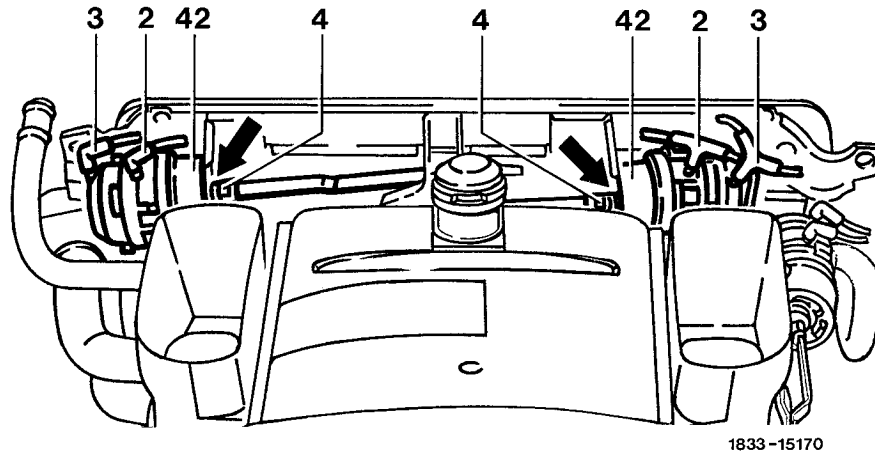


1833-15163



Instrument panel	Remove (68-100)
Cover (1)	Remove, 4 screws and 2 clips
Clip (2)	Press off
3 locks	Press off
In reverse order	Install

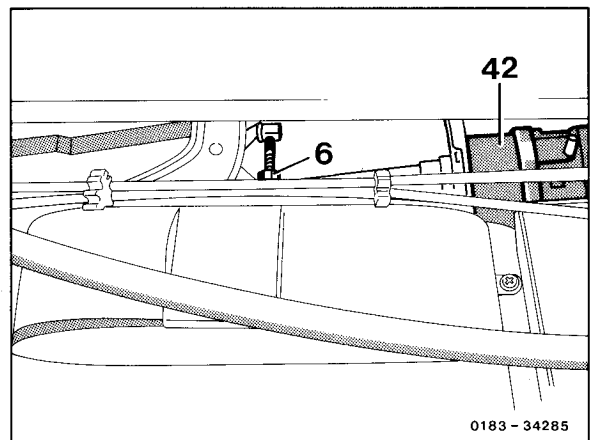
E. Vacuum element (42) for fresh/recirculated air flap left or right



1833-15170

- | | |
|-----------------------------------|--------------------------------------------------------------------------------------------------------------------------|
| Instrument panel | Remove (68-100) |
| Both vacuum lines (2 and 3) | Pull off |
| Clip (4) | Open and disconnect actuation rod |
| Lock (arrow) | Press down and turn the vacuum element (42) to the left at the same time |
| In reverse order | Install, connecting the vacuum line dark red (2) at the side and the vacuum line medium green/light blue (3) at the back |

Check adjustment of the fresh/recirculated air flap, readjust with the adjusting screw (6) if required.



0183-34285

42 Vacuum element for fresh/recirculated air flap right