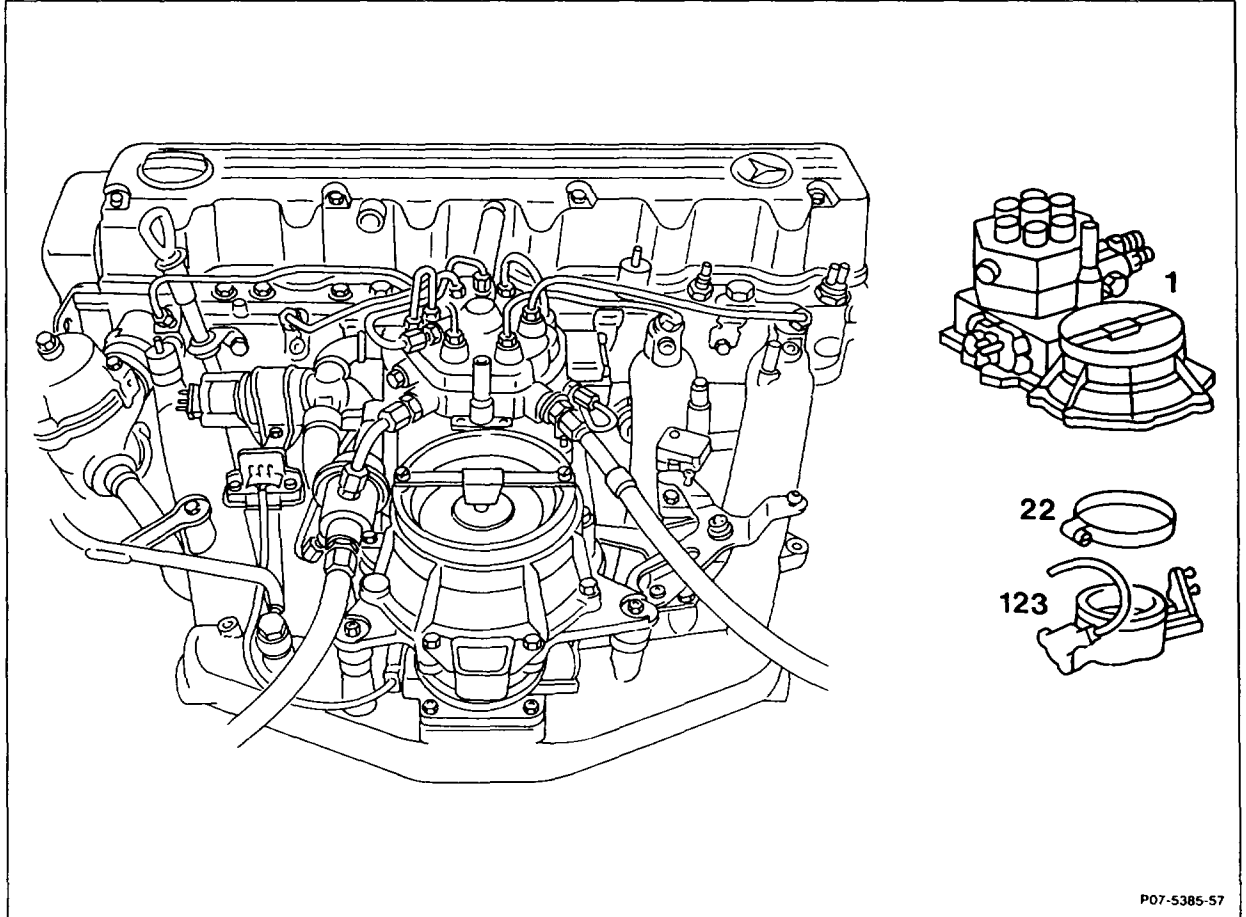


## 07.3-6210 Removing and installing throttle valve body

Operation no. of operation texts and work units or standard texts and flat rates:  
07-6210.



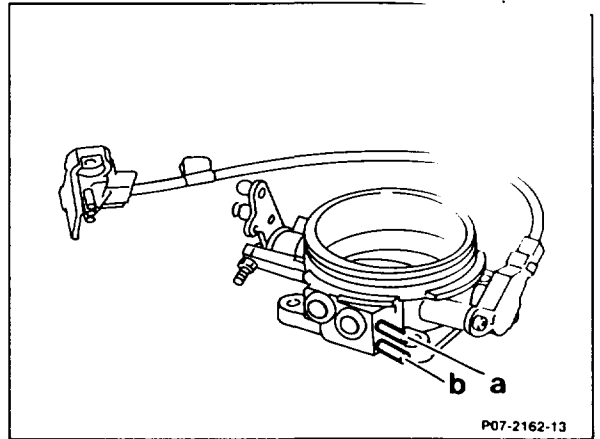
P07-5385-57

Hose clip (22) .....	slacken, tighten.
Mixture control unit (1) .....	remove, install (07.3-1668).
Return spring and accelerator control rod at throttle valve body .....	detach, attach.
Throttle valve body (123) .....	unscrew and take out. When installing, use new seal.
	Tightening torque 25-30 Nm as reference value.

Vacuum lines and electrical connection for throttle valve switch .....	disconnect, connect.
Fulcrum lever .....	adjust (30-1010).
Idle speed .....	adjust (07.3-2053).

**Throttle valve body**

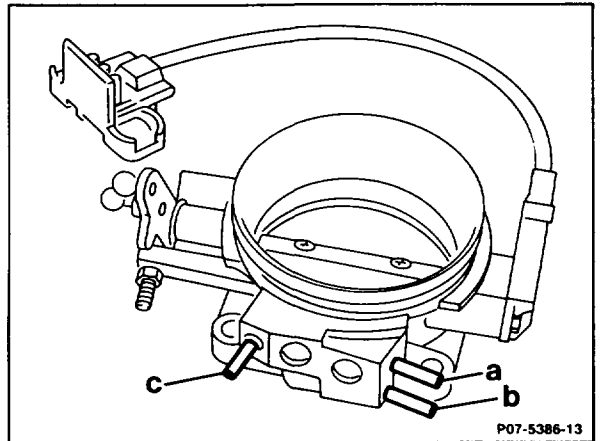
- a To thermost valve
- b Extraction line connection to regeneration valve for fuel evaporation control system



P07-2162-13

**Throttle valve body, model 129**  
With 3 vacuum connections

- a Regeneration valve control line
- b Regeneration line
- c Exhaust gas recirculation control line



P07-5386-13

**Notes**

**Model 129**

Throttle valve body with manual and automatic transmission with improved throttle valve switch.

**Production breakpoint: March 1990**

Model	Engine	Engine end no. manual transmission	Engine end no. automatic transmission
129.060	103.984	000259	000966

**Models 124, 126, 129, 201**

Throttle valve body with automatic transmission and ASR with modified opening angle and improved throttle valve switch.

**Production breakpoint: April 1990**

Model	Engine	Engine end no. automatic transmission
124.026	103.940	082979
124.030/050/090	103.983	209949
126.020	103.941	015255
126.024/025	103.981	115904
129.060	103.984	001049
201.029	103.942	046790

**Note**

Throttle valve bodies which have to be replaced after a clear diagnosis, should be replaced in future only in combination with the throttle valve switch.