

K3

AR09.20-P-1310D

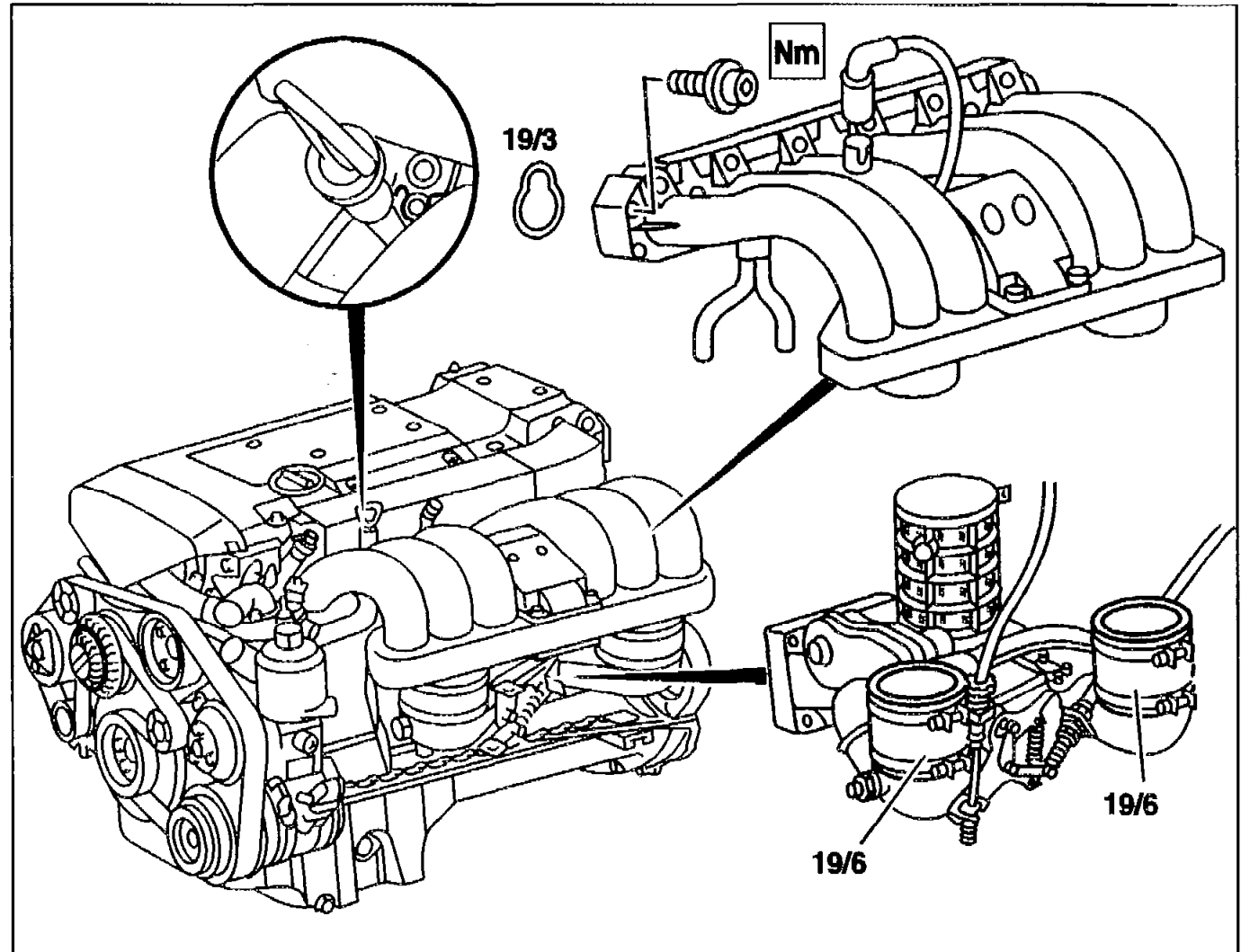
Removing and installing intake manifold



3.8.94

**ENGINES 104.94/99 (except 104.990)**

19/3 Gasket

19/6 Rubber boots



	Removing, installing		
1	Remove fuel rail together with injection valves, install		AR07.03-P-1450D <b>B1</b>
2	Pull off all vacuum pipes and electrical wiring	<b>i</b> <b>Installing:</b> Connect vacuum pipes as stated in connecting diagram ↓  Model 124, 129  Model 140  Model 202  Model 210	AR09.20-P-1310-01DA <b>K15</b>  AR09.20-P-1310-01DB <b>M15</b>  AR09.20-P-1310-01DC <b>O15</b>  AR09.20-P-1310-01DE <b>A16</b>
3	Remove bolts for intake noise muffler	Model 210	AR09.20-P-1310-09DA <b>C16</b>
4	Take off resonance intake manifold, clean flange surfaces	Replace resonance intake manifold, if necessary ↓  To do this, remove resonance flap and install in new resonance intake manifold  <b>Nm</b> <b>i</b> <b>Installing:</b> Replace gasket (19/3). Check rubber boots (19/6), replace if necessary.	AR09.20-P-1791D <b>J4</b>  BA09.20-P-1001-01B
5  <b>BT</b>	Remove ram manifold  Intake manifold with mount for intake noise muffler		AR09.20-P-1310-02DA <b>D16</b>  BT09.20-P-0003-01A <b>K17</b>



6	Install in reverse sequence	ⓘ When installing, ensure that no vacuum pipes or electrical wiring is trapped.	
7	Check idle speed, adjust	See DM Engine, Volume 1	

**Nm** Intake manifold

Number	Designation	Engine 104
BA09.20-P-1001-01B	Bolts and nuts of intake manifold on cylinder head	Nm 25