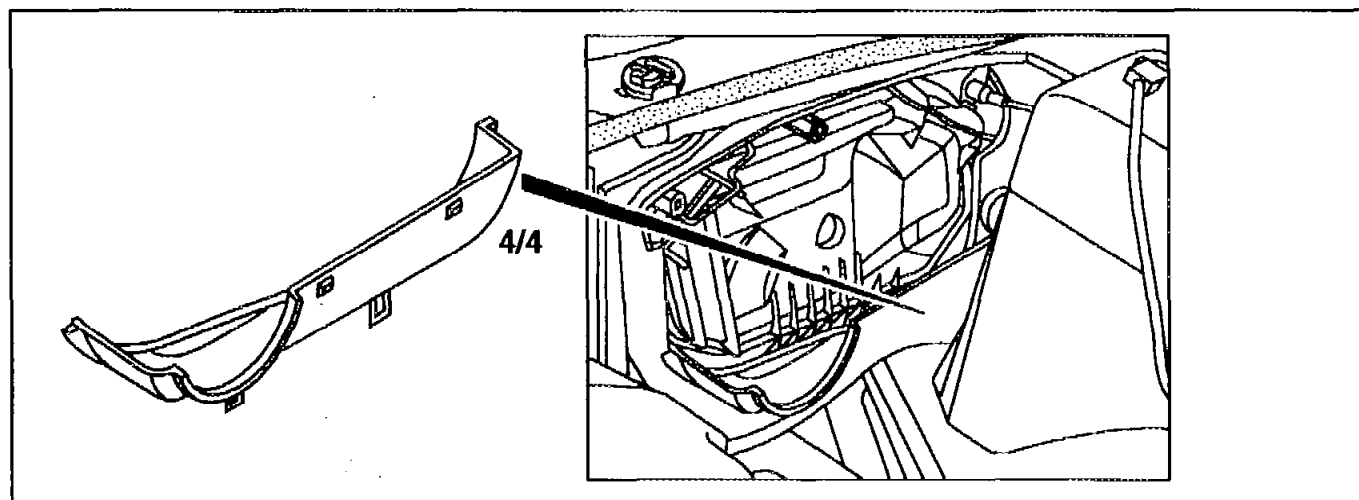


**A3**

AR09.10-P-8221D

Removing and installing intake air scoop**3.8.94****ENGINES 104.941/942/943/944/991/992/994****Model 124, 1st version**

4/4 Intake air scoop

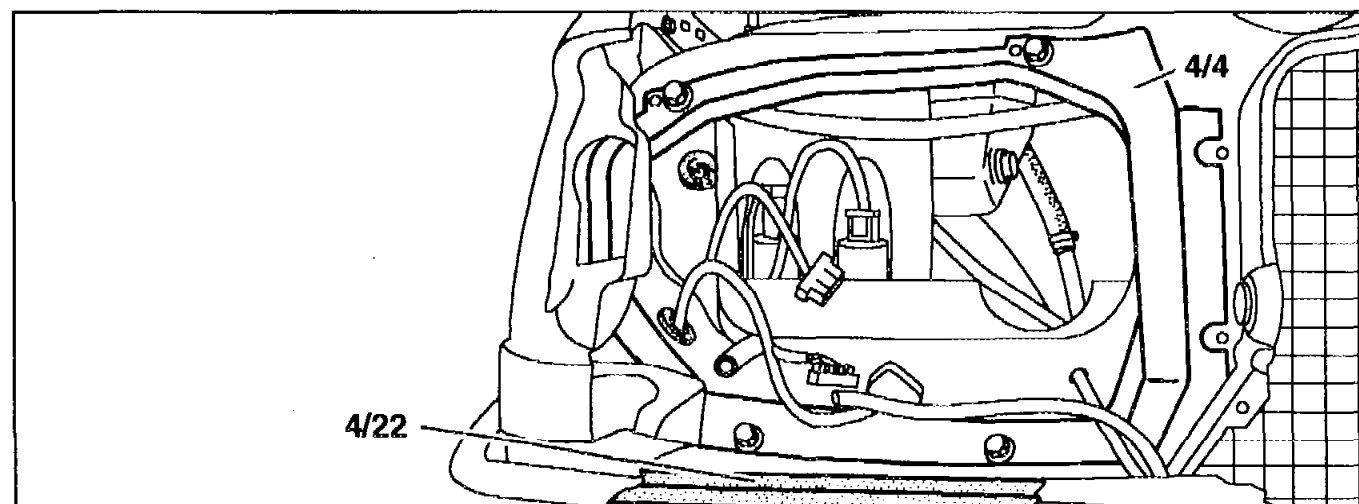


P09.10-0209-04

Model 124, 2nd version

4/4 Intake air scoop

4/22 Splash guard

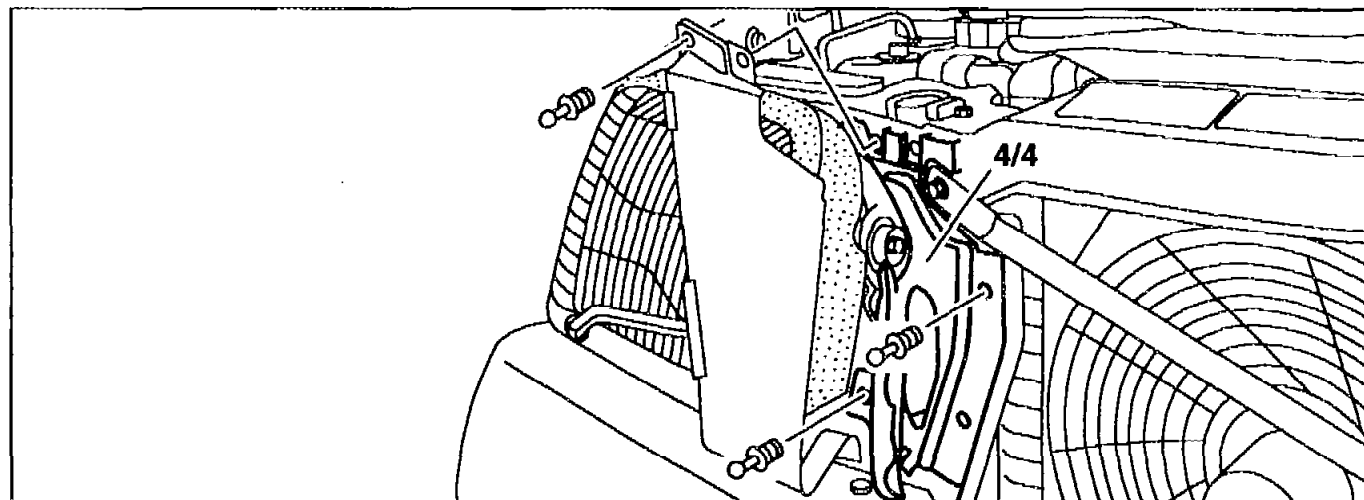


P09.10-0210-04



Model 129

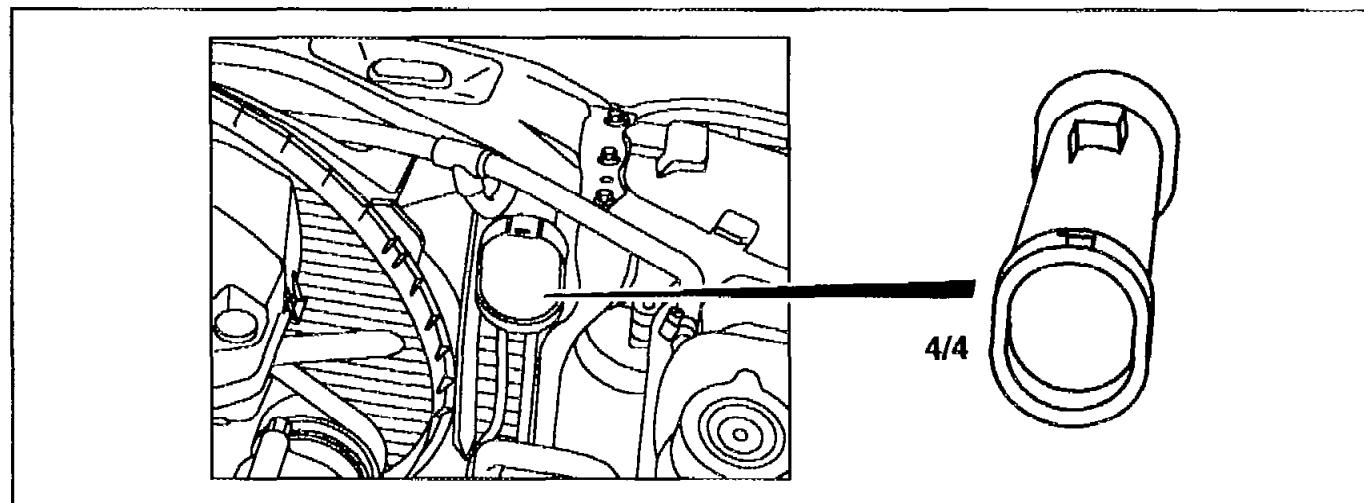
4/4 Intake air scoop



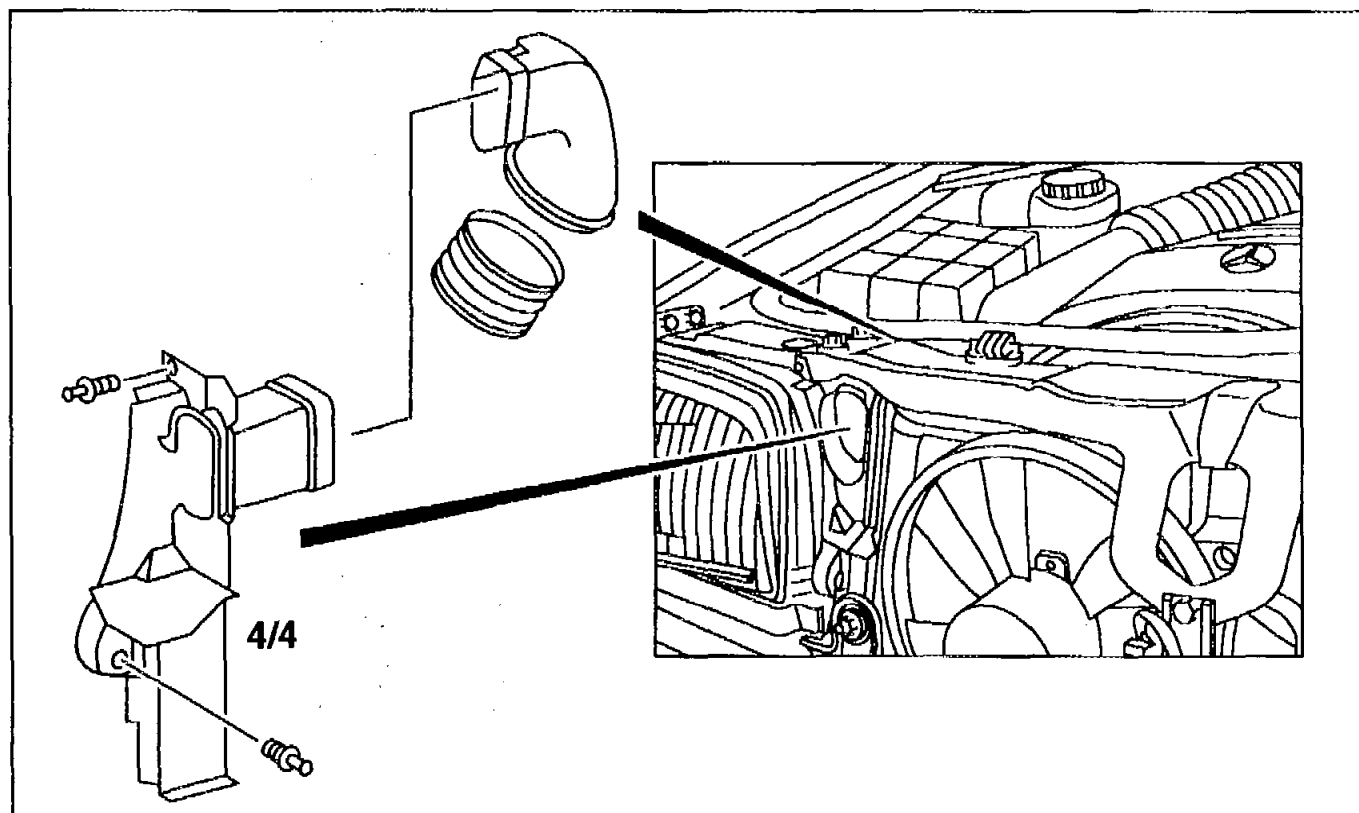
P09.10-0211-04

Model 140

4/4 Intake air scoop



P09.10-0212-04

**Model 202****4/4 Intake air scoop**

P09.10-0213-05

Fig. item, etc.	Work instructions		
i	Remove right headlamp unit, install	Model 124, 2nd version See RI Electrical System III Model 124, Op. no. 82-4730	
i	Remove radiator trim, install	Model 202 See RI Body Removal and Installation II Model 202, Op. no. 88-4000	



4/22	Splash guard	pay attention to installed position	
4/4	Intake air scoop	remove	