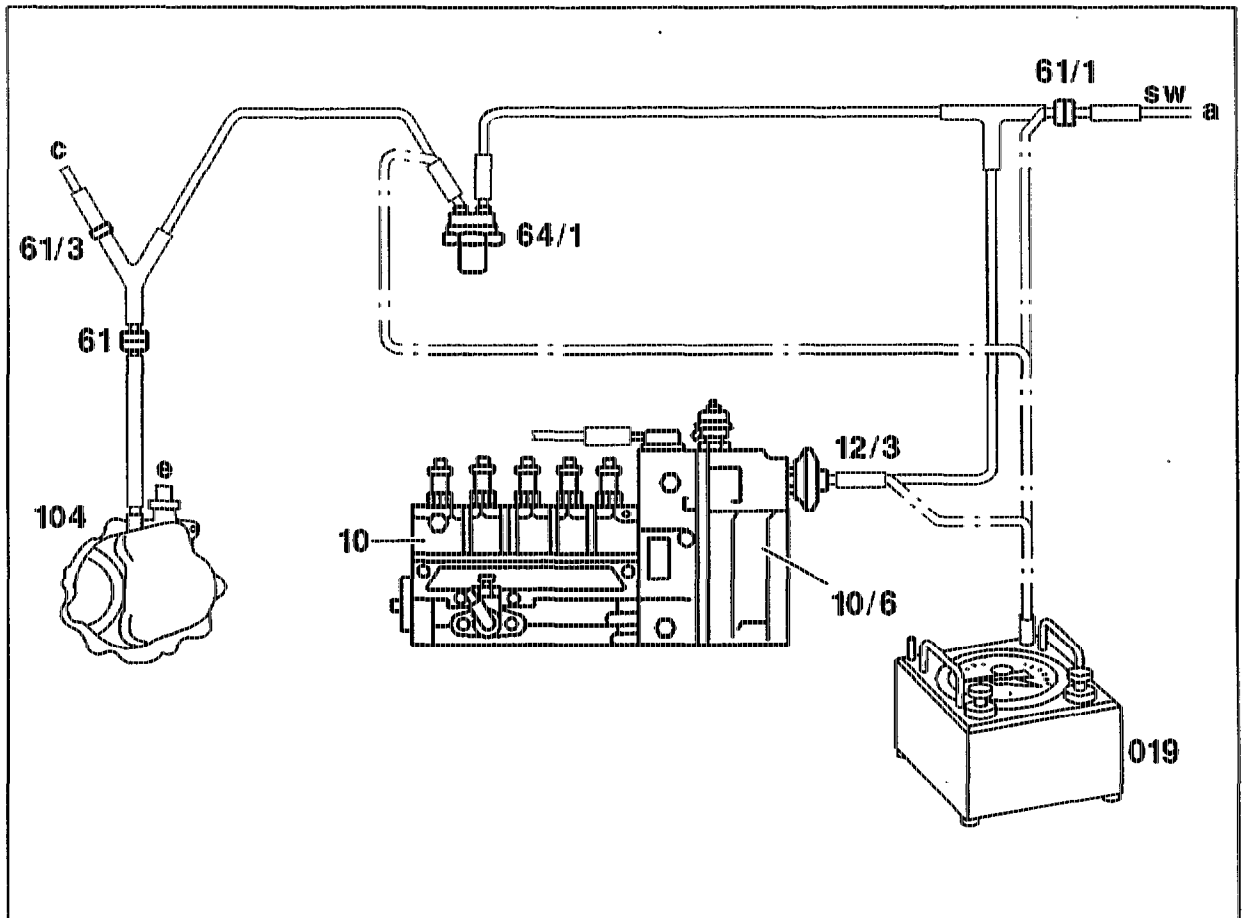


07.1-2009 Testing pneumatic idle speed increase (PLA)

Preceding work:
Testing, adjusting idle speed (07.1-2053).

Operation no. of operation texts and work units or standard texts
and flat rates:
07-2009



P07-6476-57

10 In-line injection pump
10/6 Governor housing
12/3 PLA vacuum unit
61 Restriction with filter
61/1 Restriction with filter, white
61/3 Restriction, orange
64/1 Thermovalve, closes 30°C
104 Vacuum pump

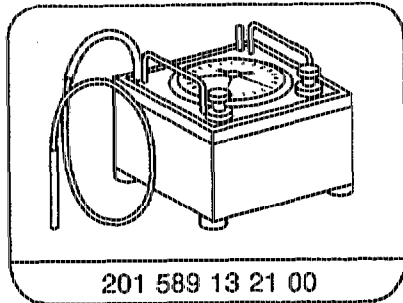
019 Vacuum tester
a Air admission to interior
c Other consumers

Engine	warm up to coolant temperature > 40°C.
Vacuum tester (019)	connect and test supply vacuum. Specification: ≥ 700 mbar.
Thermovalve, closes 30°C (64/1)	test for leaks.
PLA vacuum unit (12/3)	test for leaks.
Air admission line (sw)	test for clear passage.

Test data

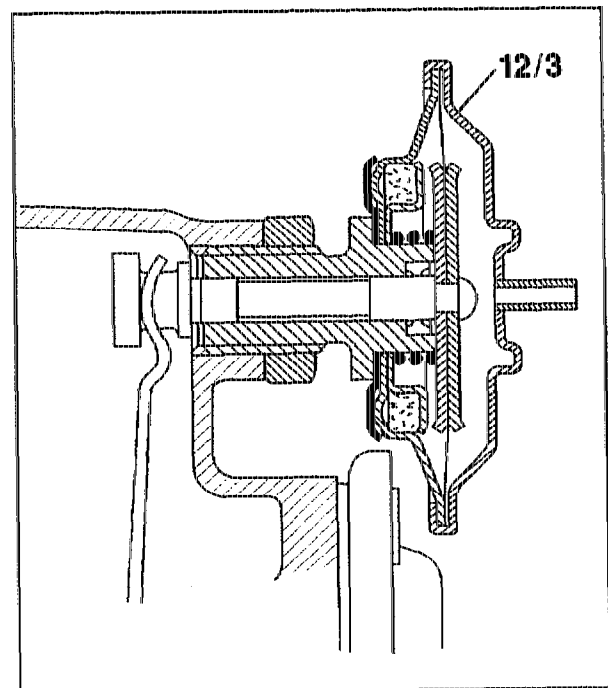
	Test vacuum	Max. permissible pressure drop
Entire system	400 + 50 mbar	6 mbar/min
Components	300 + 50 mbar	5 mbar/min

Special tool



Note

The PLA vacuum unit (12/3) at the injection pump can only be replaced at a Bosch dealership because the governor has to be disassembled and then set on a Bosch injection pump tester.



P07-6474-15