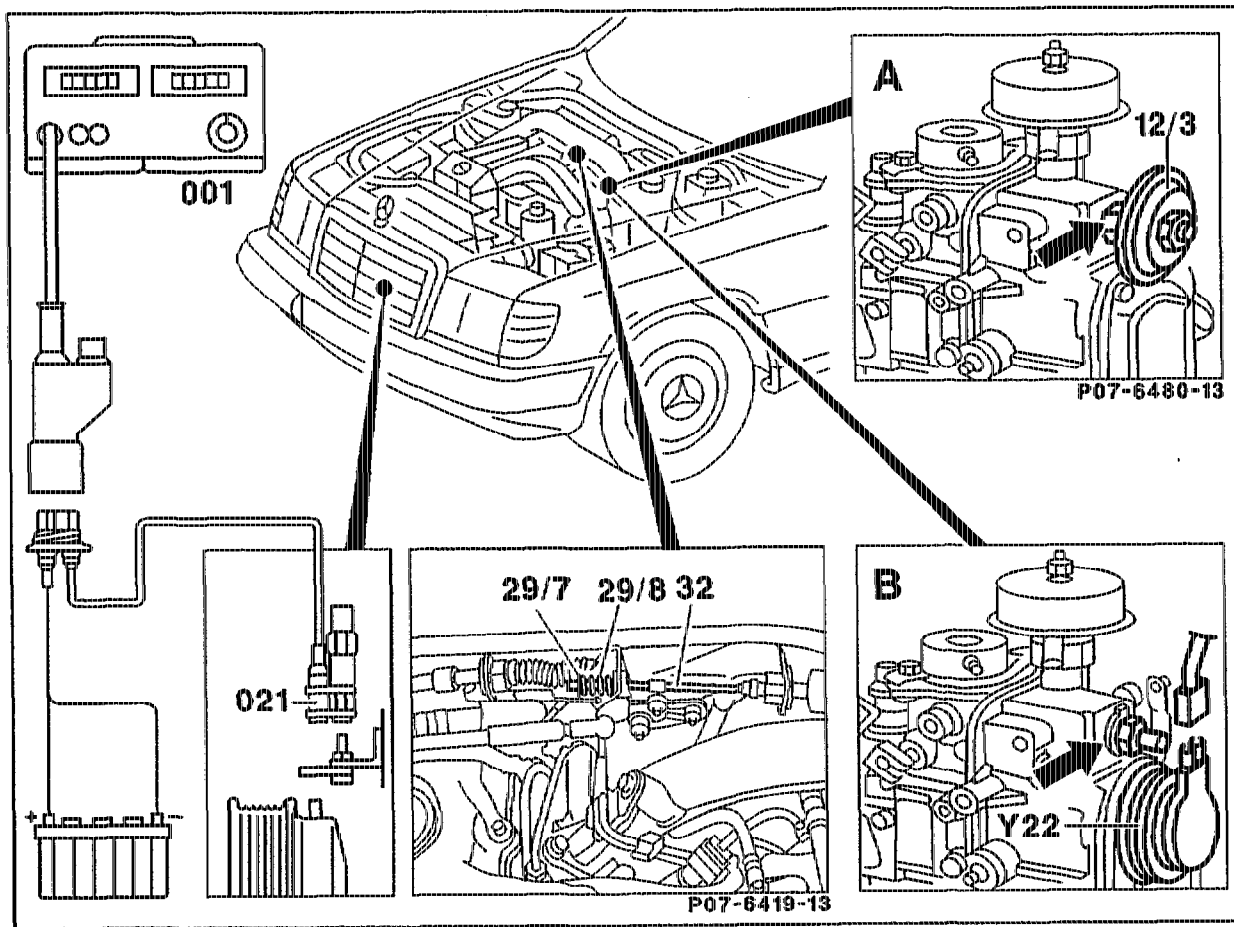


07.1-2053 Testing, adjusting idle speed

Operation no. of operation texts and work units or standard texts and flat rates:
07-2053



- A Engine 605.911
- B Engine 606.910

Digital tester (001), TDC pulse generator (021) . . .	connect, disconnect.
Accelerator control	check for ease of movement.
Idle speed stop at Bowden cable (32)	check; the dished washer (29/7) must be resting free of tension against the compression spring (29/8). If necessary, adjust Bowden cable from inside car (see 30-1010 Adjusting accelerator control).
Engine	warm up to coolant temperature of 60 – 80 °C.

Engine 605.911 with pneumatic idle speed increase (PLA)

Idle speed	check; adjust if necessary by turning the vacuum unit (12/3). To do this, slacken lock nut (arrow). Refer to table for test data.
----------------------	---

Engine 606.910 with electronic idle speed control (ELR)

2-pin coupling of ELR actuator (Y22) unplug, plug in.
 Idle speed check; adjust if necessary. To do this, slacken lock nut (arrow) and turn adjusting bolt (ring wrench). Refer to table for test data.

To the left: higher engine speed
 To the right: lower engine speed

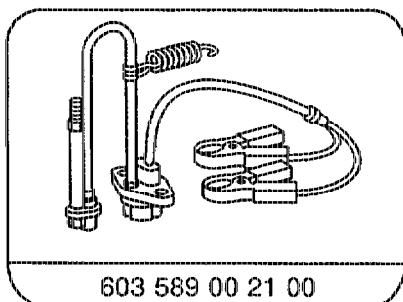
All models

Smooth engine running check.
 Operate service brake.
 Move selector lever into drive position.
 Switch on AC compressor.
 Turn power steering to full lock.
 Engine must continue to run smoothly when this is done.

Test and adjustment data

Engine	Idle speed [rpm]		
	Pneumatic idle speed increase	Electronic idle speed control (ELR)	
		with control	without control, connector at actuator unplugged
605.911	650-750	--	--
606.910	--	580-680	530-610

Special tool



Commercially available tools and testers (see Workshop Equipment Manual)

Designation	e.g. Make, order no.
Digital tester	Firma Bosch, MOT 002.01 Firma Sun, DIT 9000