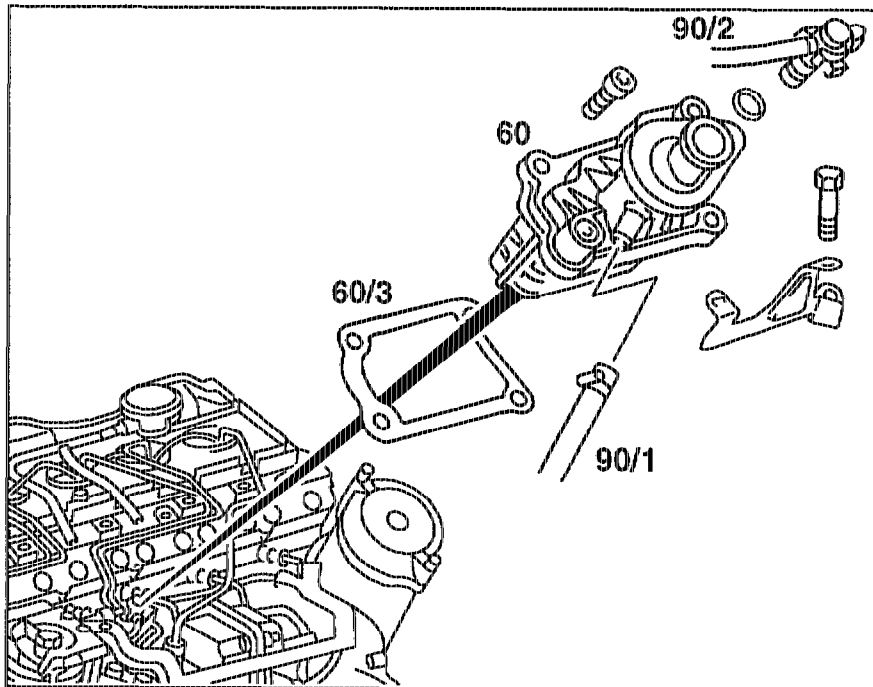


07.1-5620 Removing and installing fuel heat exchanger with thermostat

Operation no. of operation texts and work units or standard texts
and flat rates:
07-5620



P07-6493-35

Shown on engine 605.911

Engine 605.911

Intake manifold remove, install (14-1310).

Engine 606.910

Variable resonance intake manifold remove, install (14-1961).

All models

Bottom part of noise encapsulation	unbolt, bolt on.
Bolt of cable duct	unscrew, screw in.
Fuel pipe (90/2)	detach, fit on. To do this, release quick lock, secure. Check O-ring, replace if necessary. Ensure correctly located.
Fuel pipe (90/1)	detach, fit on. To do this, slacken clip, tighten.
Bolts of fuel heat exchanger	unscrew, screw in. Tightening torque 10 Nm as reference value.

Fuel heat exchanger (60) with thermostat	remove, insert. Replace gasket (60/3).
Coolant	collect, pour in.
Leaktightness of all connection points	check with engine running.

Note

The fuel system is bled automatically when starting.

Coolant level	check, adjust to correct level if necessary.
---------------------	--