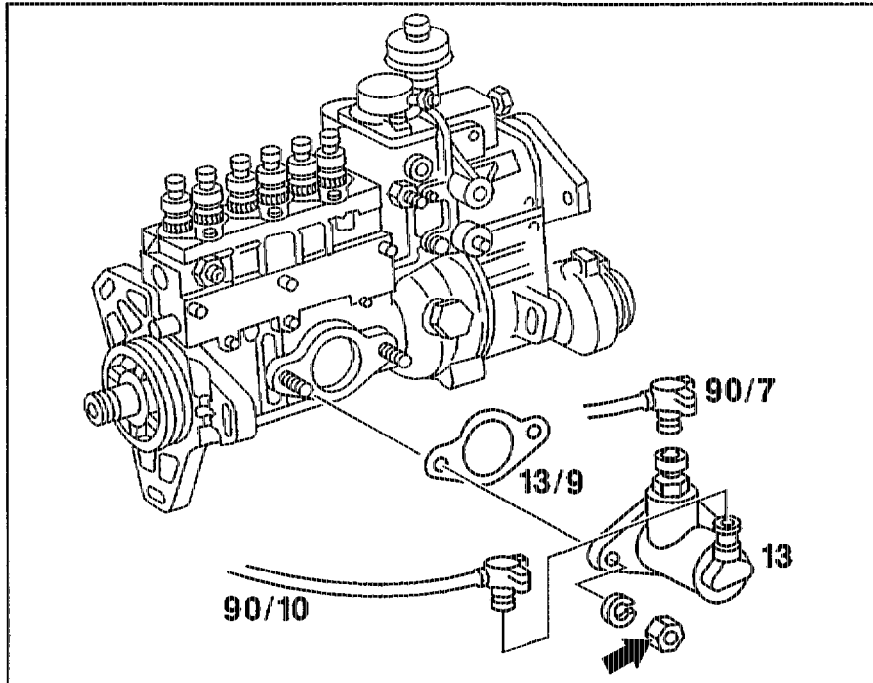


## 07.1-5713 Removing and installing fuel pump

Operation no. of operation texts and work units or standard texts  
and flat rates:  
07-5713



P07-6485-35

Shown on engine 606.910

Air cleaner cross pipe or variable resonance  
intake pipe .....

remove, install (09-8031 or 14-1984).

Fuel suction pipe (90/10) and  
fuel pressure pipe (90/7) .....

detach, fit on. To do this, release quick locks,  
secure. Check O-rings, replace if necessary,  
ensure correctly located.

Nuts (arrow), 2 ea. ....

unscrew, screw on.

Fuel pump (13) .....

take off, insert. Collect engine oil which flows  
out.

Gasket (13/9) .....

replace.

Engine oil level .....

check, adjust to correct level if necessary.

Leaktightness of all connection points .....

check with engine running.

### Note

The fuel system is bled automatically when  
starting.