

Grease capacity of front wheel hub

Models		124.007/008/027/ 029/034/036/ 06/104/105/ 106/107/127/ 129 129 201 as of 01/85	124.003/004/019 020/021/022 023/026/028 030/031/032 04/05/07/08/ 09/120/125/ 126/128/13/ 18/19	201 up to 12/84
Grease capacity in grams approx.	Total capacity	60	70	50
	Hub with bearing	45	55	35
	Hub cap	15	15	15

Type of grease

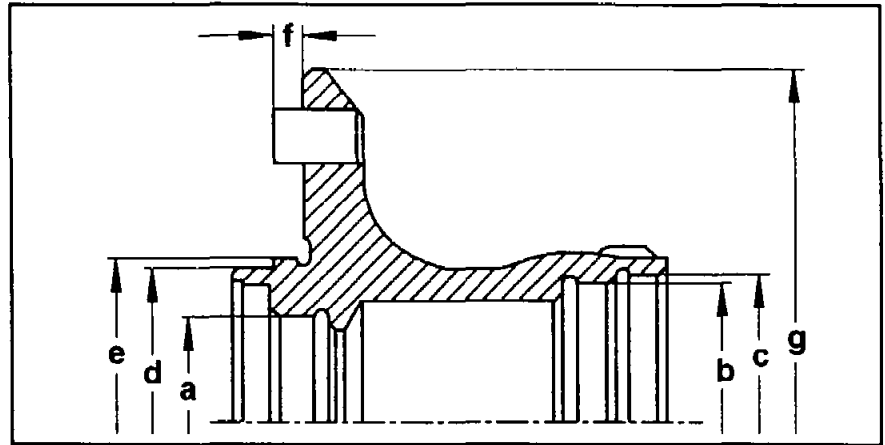
Model	Type of grease: high-temperature roller bearing grease	MB Specifications for Service Products, sheet
124 129 201	150g tube - green-colored grease Part no. 001 989 23 51/10	265.1

Wheel bearing play

Model	Wheel bearing play (axial play of front wheel hub)
124 129 201	0,01-0,02

Front wheel hub (In mm)

Model	124, 129, 201
Permissible lateral run-out at flange	0.03
Permissible radial run-out at rim centering "e"	0.05



During assembly work, ensure that the rotor teeth for the ABS speed sensor are not damaged.

Steering knuckle

Permissible run-out of steering knuckle pin at bearing seats	0.05
--	------