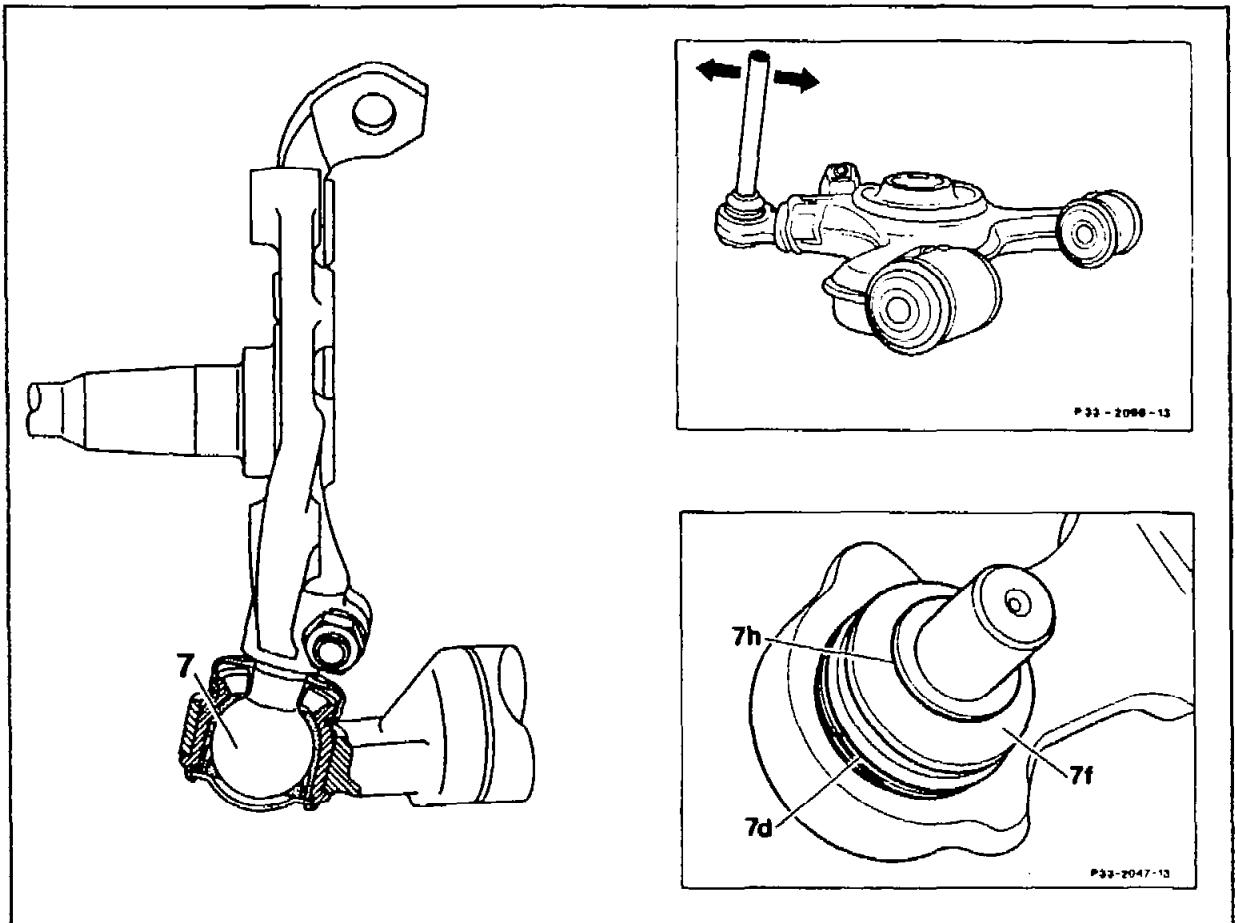


A Checking supporting joint of steering knuckle mounting (removed.)



P33-5114-57

- Supporting joint or control arm
- Supporting joint (7)

- Boot (7f)

Remove (33-0440), (33-0510).

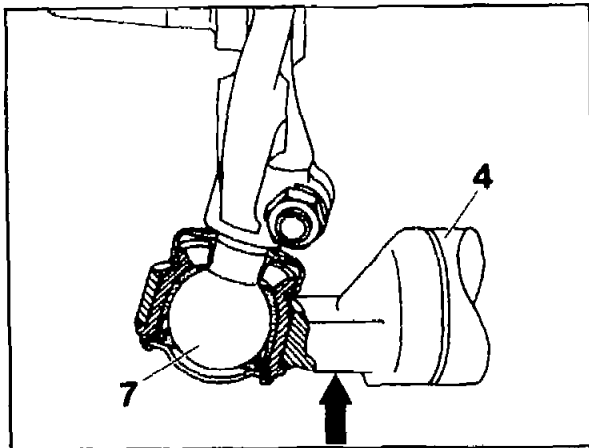
Check by fitting a pipe approx. 150 mm long over the ball pin. The pipe must move from side to side without play, without jamming and without creaking noises.

Check for cracks and damage. Check that wire clamping rings (7d and 7h) are correctly seated.

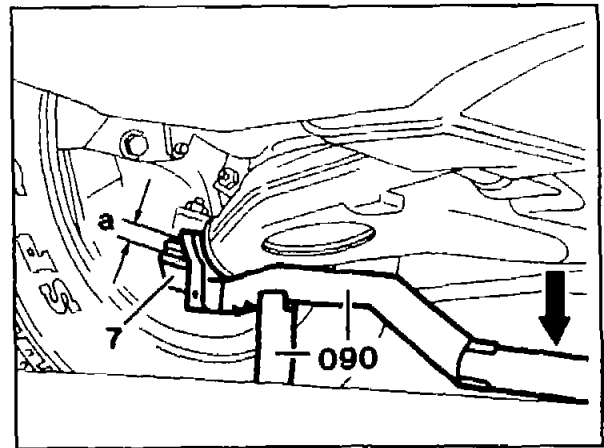
Note

Boots damaged during installation must be replaced immediately (33-0430). Always replace a ball joint which has been in operation with a damaged boot (33-0440).

B. Checking supporting joint of steering knuckle mounting (installed)



P33-5119-13A



P33-5252-13

Lever compression tool (090)

129 589 06 21 00

Control arm (4)

Attach as close as possible to the supporting joint (arrow).

Raise and lower with lever compression tool (090). Get an assistant to feel the supporting joint for any play (a).

The supporting joint must be replaced (33-0440 or 33-0510) if play is found.

Note

This test can only be conducted over a pit or lifting platform with approach ramps.

Special tool

