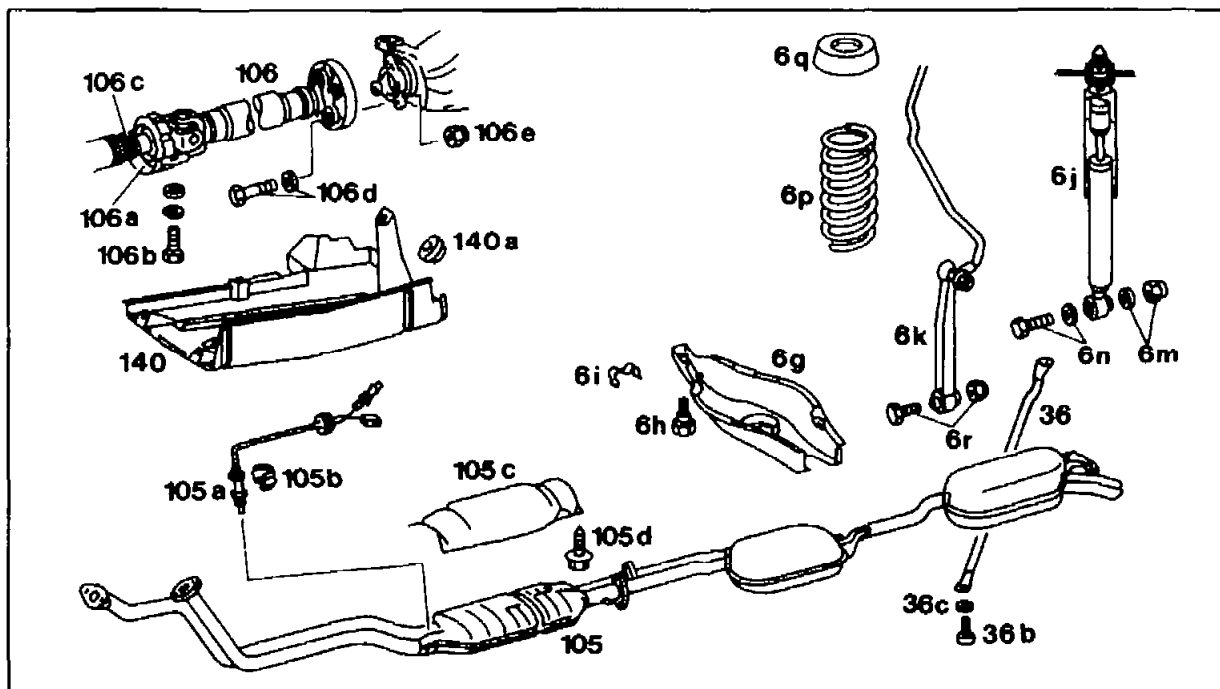


35-010 Removal and installation of rear axle complete

Preceding work:
Remove and refit wheels 40-110.

Operation no. of operation texts and work units
or standard texts and flat rates:

Models 124, 201



P35-5448-55

Model 124.06 (convertible)

Cross brace (36)

Remove, install on left and right. Replace self-locking polygon head bolts (36b), tightening torque 120 Nm (number 1).
Torque wrench 001 589 66 21 00.



When working on the cross braces, the body must be jacked up without any distortion. A twin-pillar hoist can be used for this.

Vehicles with catalytic converter

O₂ sensor shield (105b)

Remove from, press on O₂ sensor (number 2).

O ₂ sensor (105a)	Disconnect, connect. Check for correct cable routing (number 2).
Exhaust system (105)	Remove, install complete system (49–100, number 3).
Exhaust shield (105c)	Detach, attach (number 4).
Clamp nut (106c) on propeller shaft	Loosen, tighten. Tightening torque 30 – 40 Nm. Torque wrench 001 589 66 21 00 Use open end wrench 46 mm 126 589 00 01 00 or open end wrench 41 mm 201 589 00 01 00 (number 5).
Propeller shaft intermediate bearing (106a)	Loosen, tighten at frame floor. Tightening torque of hexagon bolts 25 Nm. Torque wrench 001 589 66 21 00 (number 6).
Cover for fuel pump assembly (140)	Remove, install (number 7).
Propeller shaft (106)	Disconnect, connect at flange on rear axle center assembly. Push forward rear propeller shaft (106) out of the centering device, remove and place on bracket for attaching safety belt. (Comply with note). Replace self-locking hexagon bolts. Tightening torque M10 = 40 Nm, M12 = 60 Nm. Torque wrench 001 589 66 21 00 (numbers 8 and 9)
Spring link cover (6g)	Remove, install (number 10).
Torsion bar connection (6k)	Detach, install. Replace self-locking hexagon nut (6r). Tightening torque 20 Nm. Torque wrench 001 589 66 21 00 (number 11).
Shock absorbers/spring struts (6j)	Remove, install at spring link (32–110 or 32–610). Replace self-locking hexagon nuts. Tightening torque 60 Nm. Torque wrench 001 589 66 21 00 (number 12).

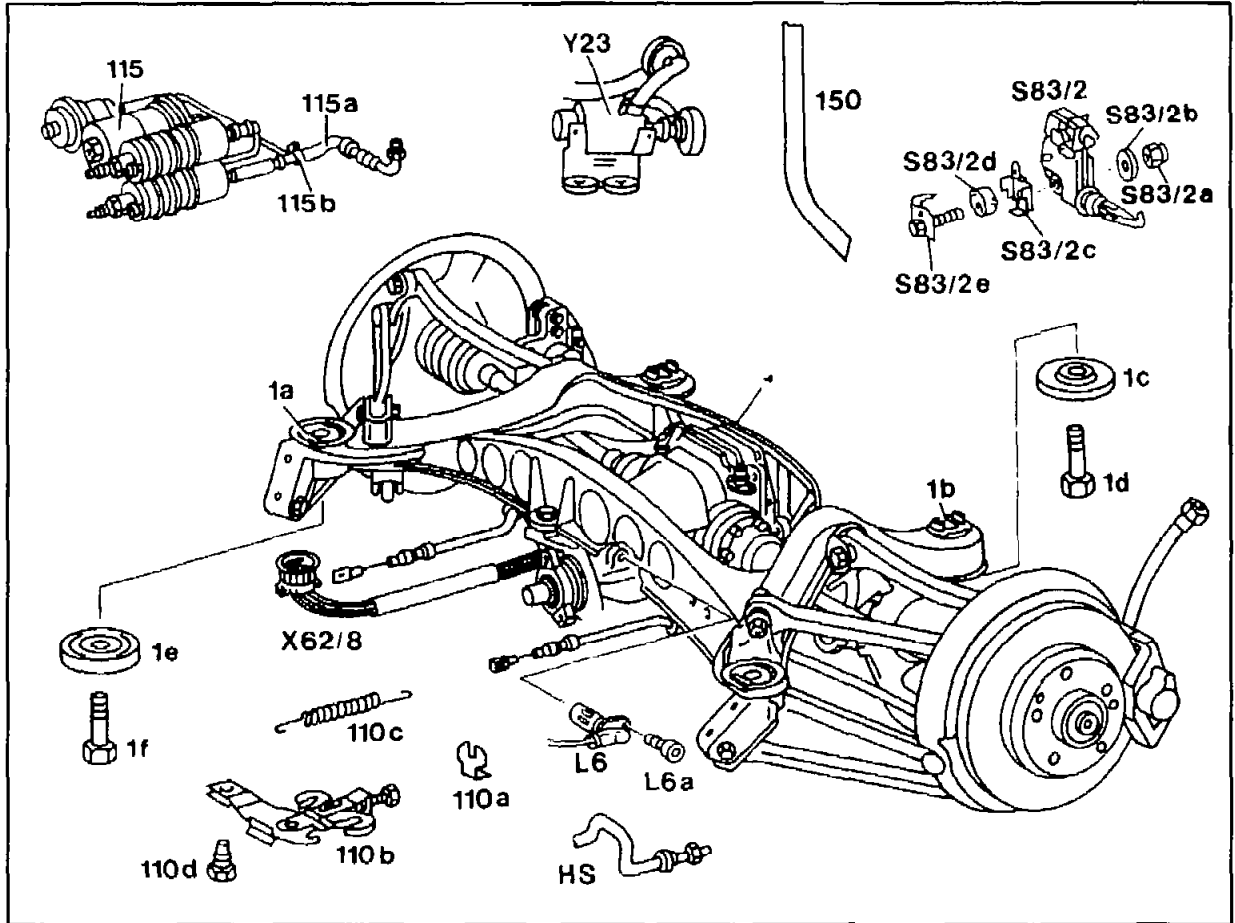
Rear springs (6p)

Remove, install (32-230).

Clamping plate 000 589 79 63 00

Clamping equipment 140 589 00 31 00

Socket wrench insert 201 589 01 09 00
(number 13)



P35-5449-57

Intermediate lever (110b) of parking brake

Remove, install with spring (110c) (42-525, number 14).

Cables of parking brake

Disengage, engage (42-525, number 14).

Brake hoses

Remove, install on left and right (42-120). Seal brake line connections against ingress of dirt. Bleed brake system (42-010, number 15).

Model 124.06 (convertible)

Left rear axle switch roll-over bar (ÜRB) (S83/2) ..

Remove, install. Replace self-locking hexagon nut. Readjust switch for roll-over bar (91-860, number 16).

Vehicles with ABS

Rear axle oil Drain, fill. Filling height up to lower edge of filler opening (number 17a).

Speed sensor (L6 ABS) Remove, install. Replace self-locking hexagon bolt (L6a) and O-ring. Tightening torque 8 Nm (number 17b).
Torque wrench 001 589 72 21 00.

Note

Ensure that there are no metallic residues on the magnetic tip (numbers 17c).

Vehicles with auxiliary heater

Bracket of fuel metering pump (Y23), and mounting plate of exhaust mounting Remove, install (number 18).

Vehicles with ASD

Hydraulic line (HS) Disconnect, connect. Seal threaded opening on ring cylinder and HS line. When installing, bleed hydraulic line system (35-519, number 19).

Water drain hose (150) On the version up to 03/83, press fixing clamp out of rear axle bracket, on the version as of 04/83 and model 124, press water drain hose out of rear axle bracket (number 20, 21).

Fuel tank If further work is to be performed on the tank, empty, fill.

Fuel suction hose (115a) Pinch off between the fuel reservoir and fuel pump using clamp 000 589 40 37 00. Loosen fuel hose on pump and detach. Press fuel hose and rubber grommet out of rear axle bracket (number 22, 23).



Vehicles with ASR

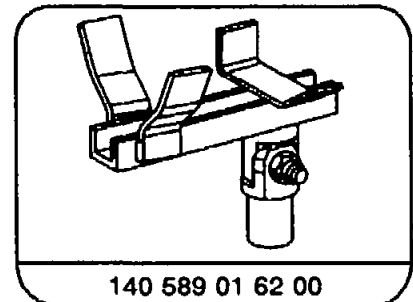
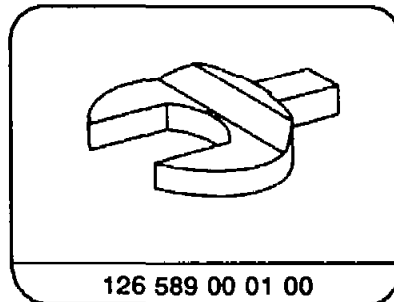
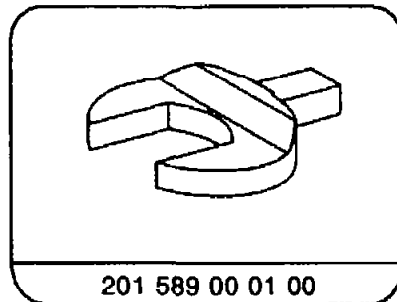
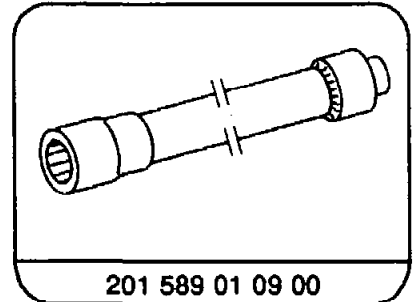
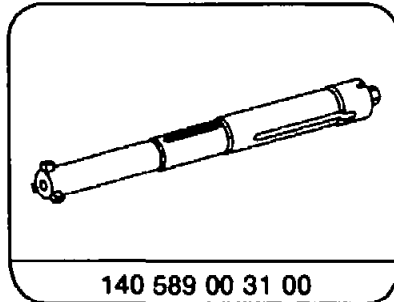
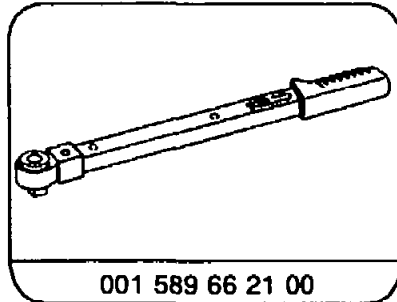
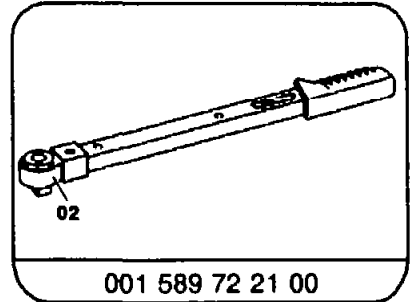
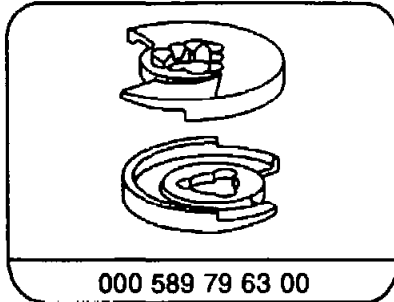
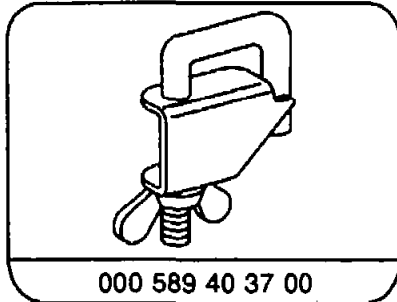
Plug connection (X62/8)	Disconnect, connect at frame floor. Remove cable retaining strap (numbers 24).
Rear axle (1)	Support with vehicle jack or pit lift (number 25).
Front/rear axle suspension (1a/1b)	Remove, install on frame floor. Replace self-locking hexagon bolt (1f/1d), tightening torque 70 Nm. Torque wrench 001 589 66 21 00. Re-cut thread for hexagon bolts in frame floor (number 26).
Rear axle (1)	Lower, raise (number 27).
Rubber mount (1a/1b)	Check for damage and replace if required (number 28).
Vehicle level	Check at rear axle, adjust if required (40–300, number 29).
Headlamp setting	Check, adjust if required (number 30).

Types of oil and capacity

Standard differential	SAE 90 hypoid gear oil Refer to Specifications for Service Products, sheet no. 235
Differential with ASD (Information plate on rear axle housing)	Special hypoid gear oil Refer to Specifications for Service Products, sheet no. 235.3
Capacity	with 168 mm dia. crown wheel - 0.7 liter, with 185 mm dia. crown wheel - 1.1 liter, with 210 mm dia. crown wheel - 1.3 liter.



Special tools



Removal, Installation

Model 124.06 (convertible)

1 Remove cross braces on frame floor (arrows).

Installation note

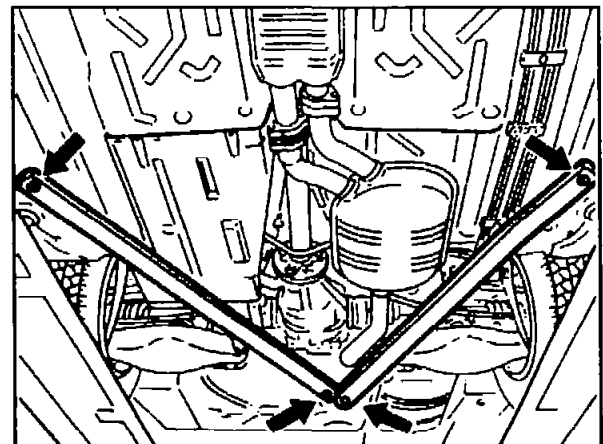
Replace self-locking polygon head bolts.

Tightening torque 120 Nm.

Torque wrench 001 589 66 21 00.



When working on the cross braces, the body must be jacked up without any distortion. A twin-pillar hoist can be used for this.



P60-5066-13

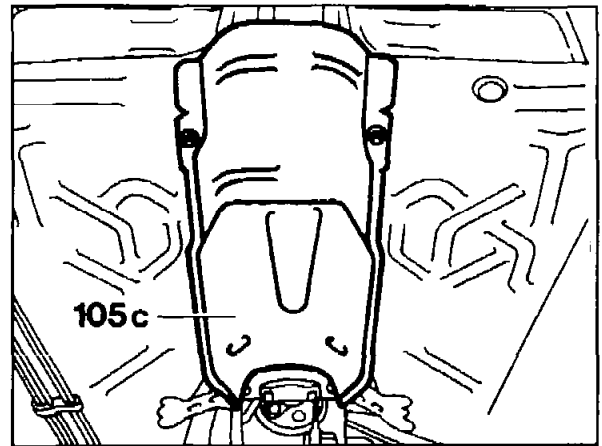
Vehicles with catalytic converter

- 2 Remove O₂ sensor shield and remove O₂ sensor.
- 3 Remove exhaust system complete (49–100).

Installation note

Check for correct line routing.

- 4 Remove exhaust shield (105c).

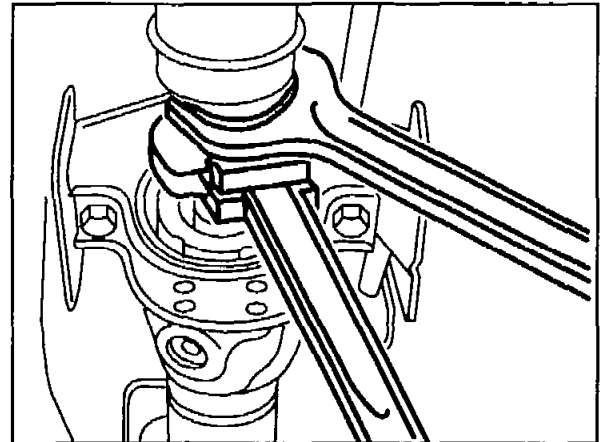


P35-5456-13

- 5 Loosen clamp nut on propeller shaft.

Installation note

Tightening torque of clamp nut 30–40 Nm.
Torque wrench 001 589 66 21 00,
open end wrench 41 mm 201 589 00 01 00 or
open end wrench 46 mm 126 589 00 01 00.

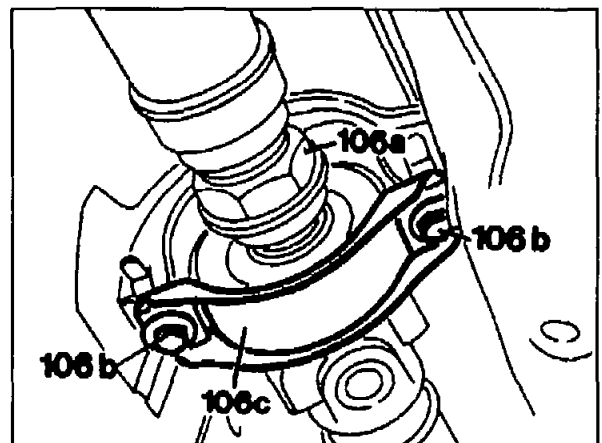


P41-2005-13

- 6 Loosen propeller shaft intermediate bearing (106c) on frame floor and lower.

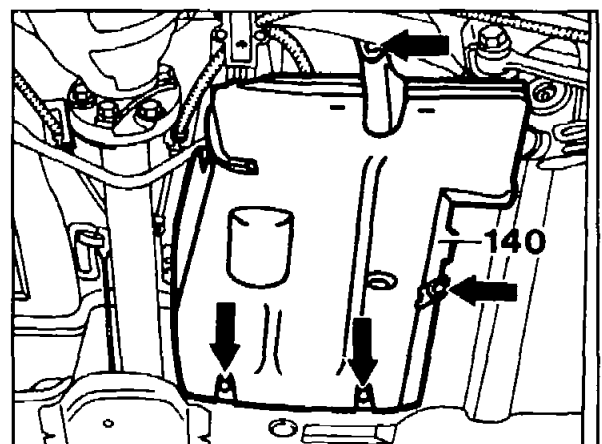
Installation note

Tightening torque 25 Nm.
Torque wrench 001 589 66 21 00.



P35-5439-13

- 7 Remove cover for fuel pump assembly (140) (arrows).



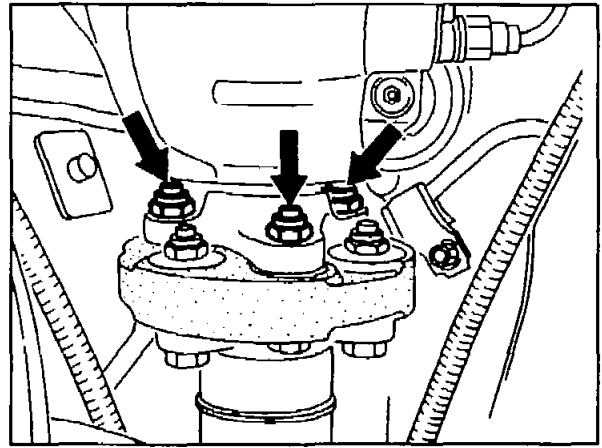
P35-5457-13

8 Disconnect propeller shaft at flange on rear axle center assembly (arrows).

Installation note

Replace self-locking hexagon nuts. Tightening torque of hexagon bolts M10 = 40 Nm, M12 = 60 Nm.

Torque wrench 001 589 66 21 00.

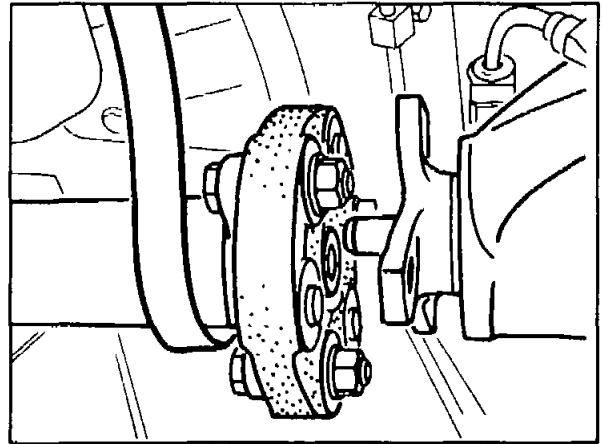


P35-5440-13

9 Push rear propeller shaft forwards out of centering and place on bracket for attaching safety belt.

Note

On vehicles without bracket, the rear propeller shaft must be secured to prevent it from falling down.



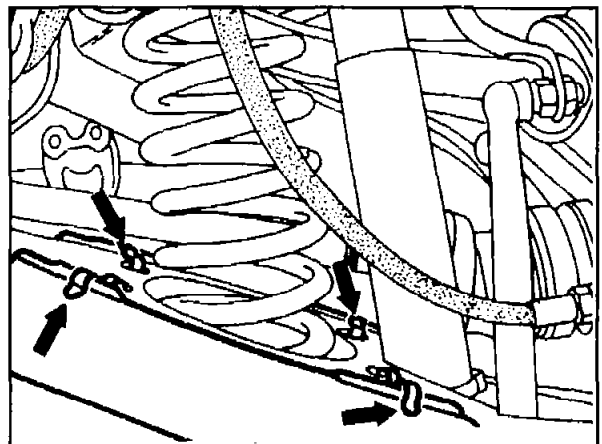
P35-5058-13

10 Remove spring link lining (6g).

Installation note

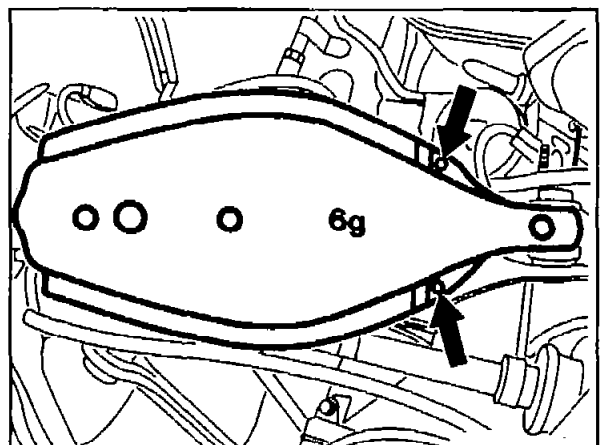
Ensure correct seating of spring link lining and retaining clips (arrows).

1st version with retaining clips
model 201 up to 12/83



P35-5459-13

2nd version with sheet metal screws
model 201 as of 01/84 and model 124

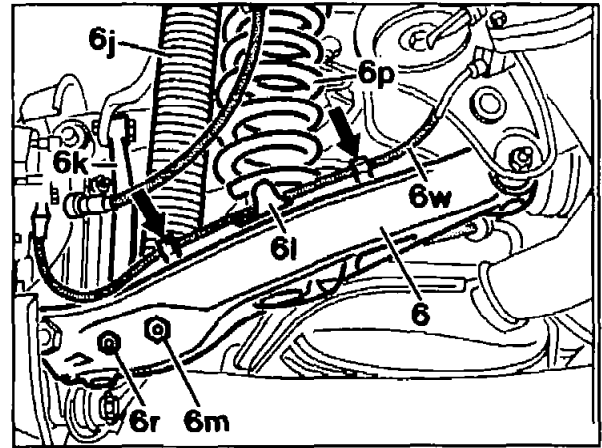


P35-5441-13

11 Loosen torsion bar connection (6k) on spring link.

Installation note

Replace self-locking hexagon nut (6r).
Tightening torque of torsion bar fixing device
20 Nm.
Torque wrench 001 589 66 21 00.



P35-5442-13

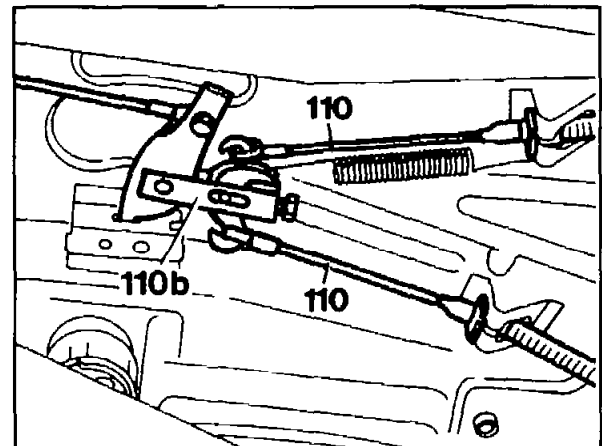
12 Loosen shock absorber fixing device on spring link.

Installation note

Replace self-locking hexagon nuts (6m).
Tightening torque of shock absorber fixing
device 60 Nm.
Torque wrench 001 589 66 21 00.

13 Remove, install rear springs (6p) (32-230).

14 Remove intermediate lever of parking brake (110b) with spring and disengage cables (110) (42-525).

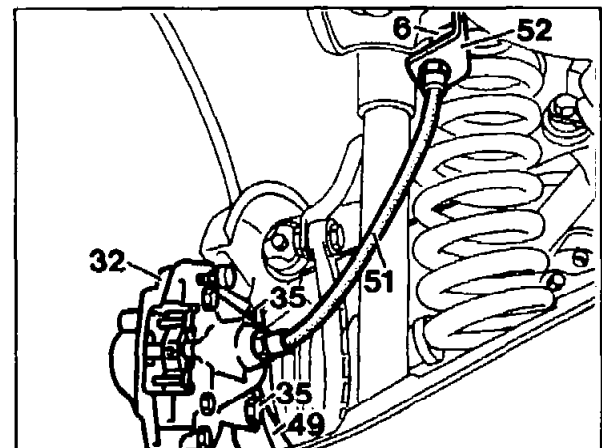


P35-5460-13

15 Unscrew the two brake hoses (51) and seal brake lines against ingress of dirt (42-120).

Installation note

Brake hoses must not be twisted when being
installed. Bleed brake system (42-010).



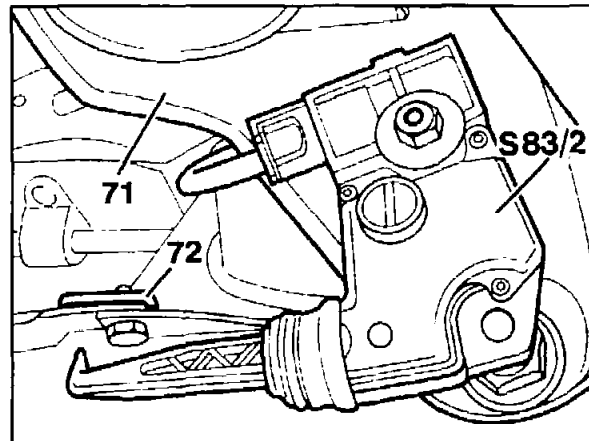
P35-5597-13

16 Model 124.06 (convertible)

Remove left rear axle switch roll-over bar (ÜRB)
(S83/2)

Installation note

Replace self-locking hexagon nut.
Readjust switch for roll-over bar (91-860).



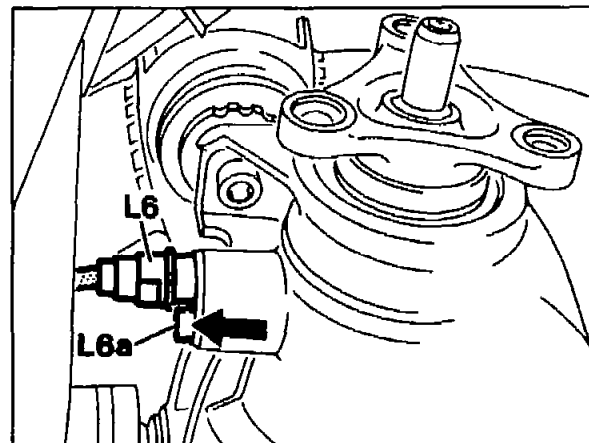
P32-2034-13

17 Vehicles with ABS

- Drain rear axle oil.
- Unscrew hexagon socket bolt (L6a), remove speed sensor (L6) from rear axle housing.
- Clean any metallic residues off magnetic tip, cover and place to one side.

Installation note

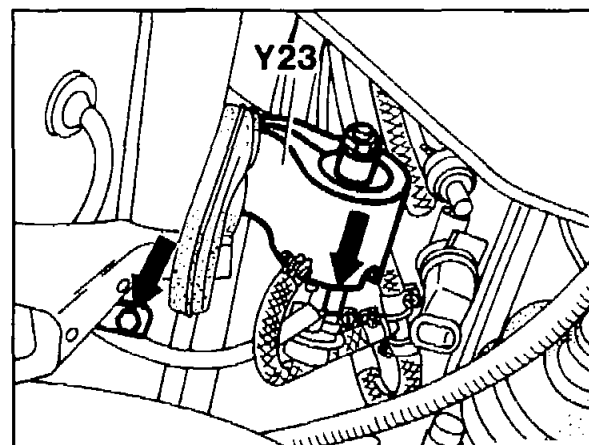
Replace self-locking hexagon bolt, tightening torque 8 Nm. Replace O-ring on speed sensor. Replenish rear axle oil up to lower edge of filler opening.
Torque wrench 001 589 72 21 00.



P35-5443-13

18 Vehicles with auxillary heater

Loosen hexagon bolts for attaching holder of fuel metering pump (Y23) and the mounting plate of exhaust mounting and remove.
Pull off cable connector and unscrew sheet metal screw from rear axle cross member (arrows).



P35-5462-13

Location on model 201

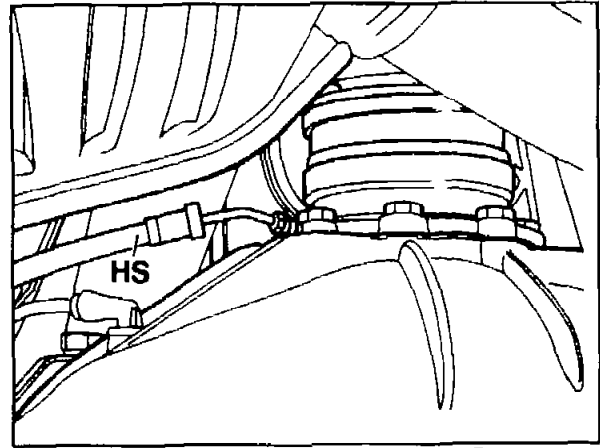
19 Vehicles with ASD

Remove hydraulic line (HS) from ring cylinder. Seal threaded opening of ring cylinder and HS line.

Installation note

Bleed ASD hydraulic line system and check for leaks (35-519).

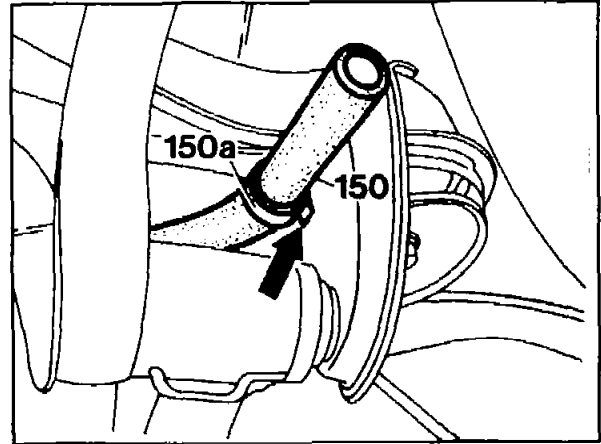
Location of rear axle center assembly with crown wheel of 210 mm dia.



P35-2055-13

20 Press water drain hose in fixing clamp (150a) out of rear axle bracket (arrow).

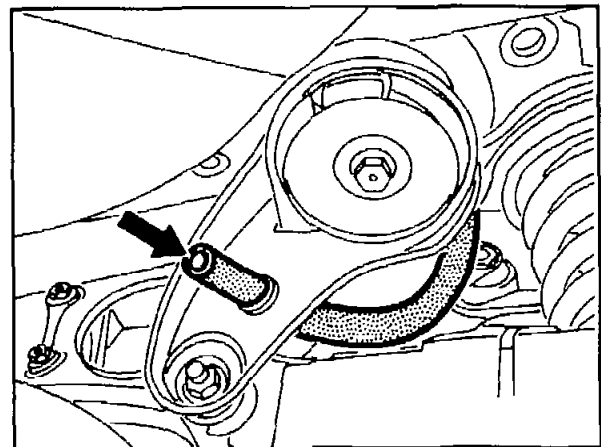
1st version on model 201 up to 12/83



P35-5463-13

21a Press water drain hose out of rear axle bracket (arrow).

2nd version on model 201 as of 01/84 and model 124



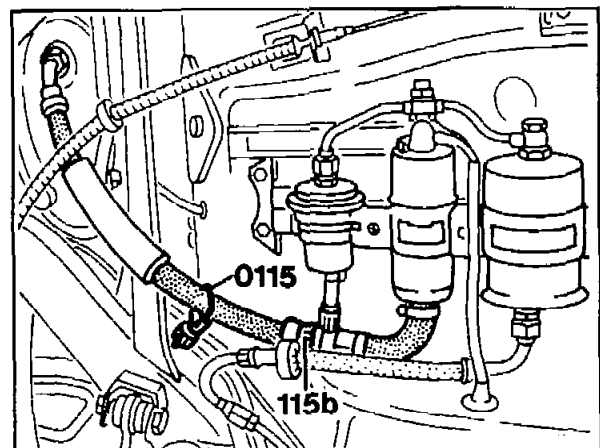
P47-2054-13

22 Pinch off fuel hose with clamp (0115) 000 589 40 37 00. Loosen hose clamp (115b) and detach fuel hose.

Note

Empty the fuel tank if further work is to be carried out on it.

Location on model 201



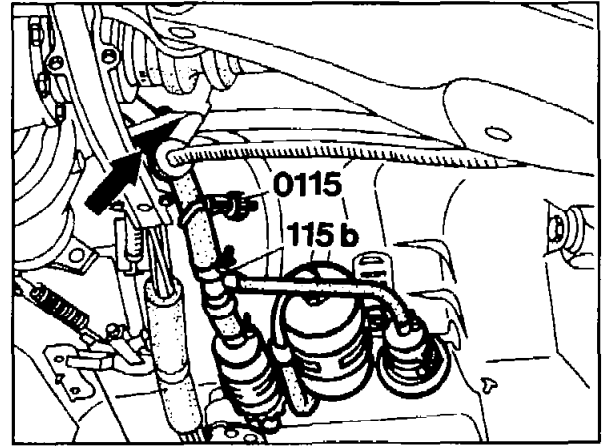
P35-5445-13

23 On model 124, press fuel hose and rubber grommet out of the holder on the rear axle bracket (arrow).

Installation note

Check fuel line for leaks and ensure correct line routing.

Location of model 124

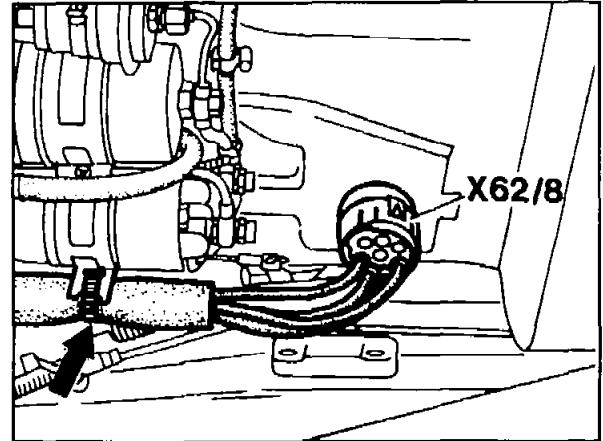


P35-5472-13

24 Vehicles with ASR

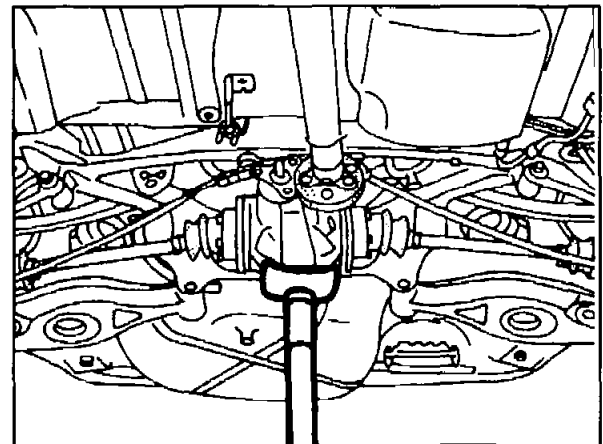
Detach plug connection (X62/8) on frame floor and remove holding strap of lines (arrow).

Location on model 124.034/036/06



P35-5464-13

25 Support rear axle with pit lift or vehicle jack. Pick-up attachment 140 589 01 62 00.



P35-5465-13

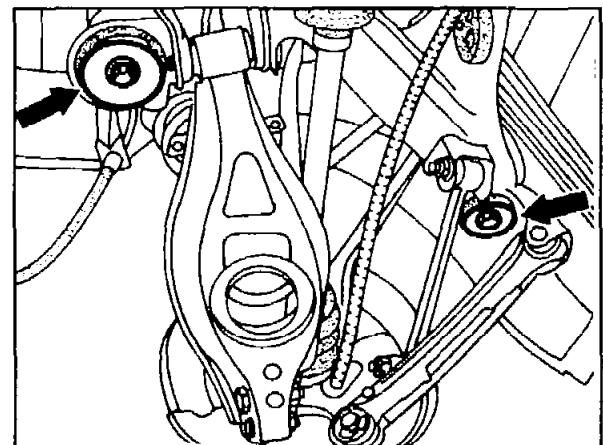
26 Unscrew self-locking hexagon bolts of front and rear rubber mount, remove stop plates (arrows).

Installation note

Re-cut thread on frame floor. Replace self-locking hexagon bolts.

Tightening torque 70 Nm.

Torque wrench 001 589 66 21 00.



P35-5466-13

27 Carefully lower rear axle.



Do not damage brake shields when lowering and depositing the rear axle.

Installation note

The fuel hoses and level controller with linkage must not be damaged when installing electric cables or hydraulic lines.

28 The rear axle rubber mounts are to be checked for damage and replaced if required (35-040).

29 Check vehicle level at the rear axle (40-300).

30 Check headlamp setting.

31 Install in reverse sequence.

