

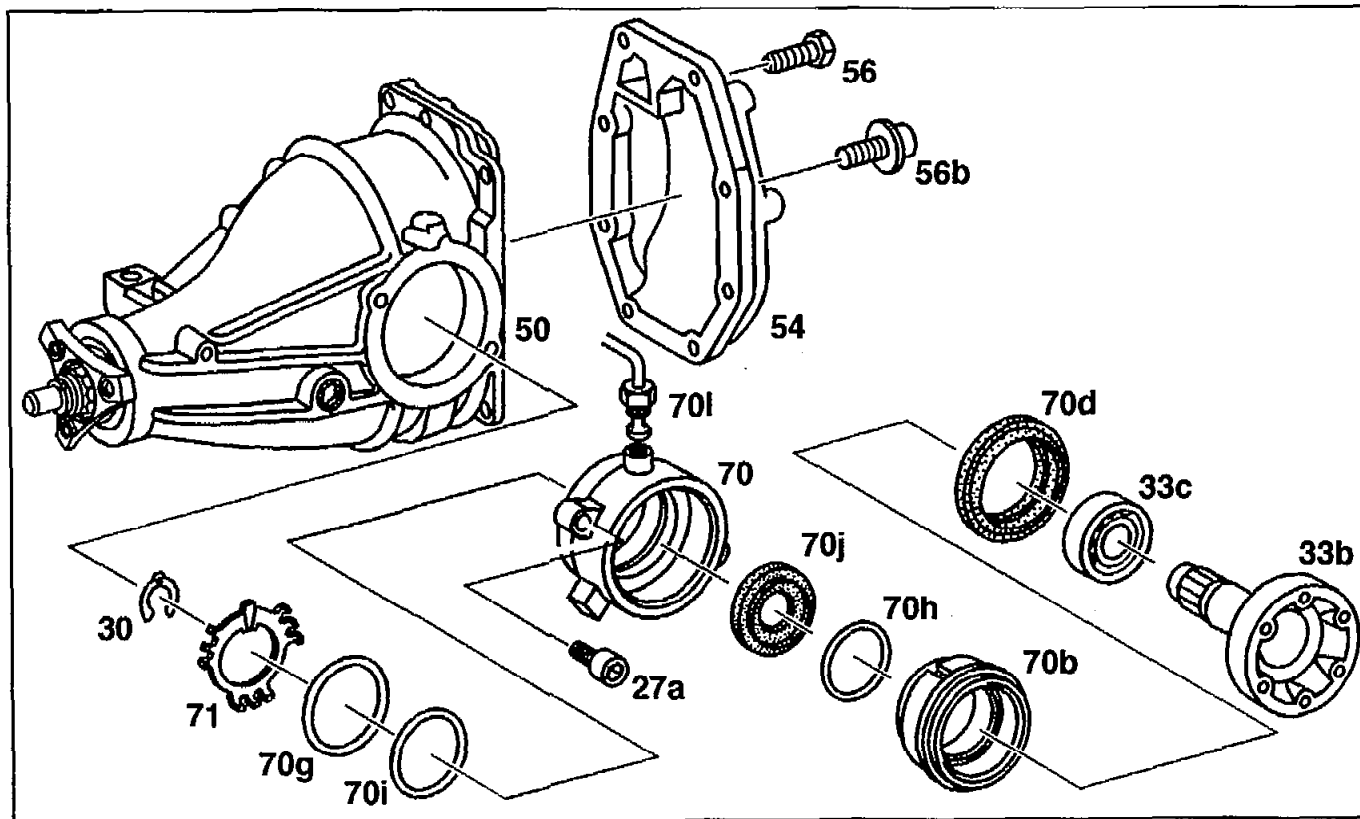


F4	AR35.41-P-0545C	Repairing ASD ring cylinder	20.3.96
----	-----------------	-----------------------------	---------

- MODEL 124.003 /004 /007 /019 /022 /023 /026 /027 /030 /040 /042 /043 /050 /060 /062 /079 /082 /083 /090,
124.104 /107 as of 1.5.94,
124.127 /128 /129 /130 /131 /133 /188 /190 /191 /193 /226 /230 /290 /330 /333 /393, 129.060, 201.028 /029 /035
/036 /128, 202.018 /020 /022 /120 /121 /125 with CODE (211a) Rear axle with automatic locking differential (ASD)
185 mm dia. rear axle center assembly**
- MODEL 124.020 /021 /080 /081 /120 /125 /126 /180 /185 /186, 201.018 /023 /024 /122 /126 as of 1.11.88,
202.018 /120 /121 /125
with CODE (211a) Rear axle with automatic locking differential (ASD)
with CODE (450) Taxi version
185 mm dia. rear axle center assembly**
- MODEL 124.186 as of 1.3.94
with CODE (211a) Rear axle with automatic locking differential (ASD)
except CODE (450) Taxi version
185 mm dia. rear axle center assembly**



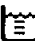
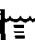
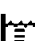
















- 27a Hexagon socket bolt
- 30 Circlip
- 33b Connecting flange
- 33c Deep-groove ball bearing
- 50 Rear axle center assembly
- 54 End cover
- 56 Bolts
- 56b Collared bolts
- 70 Ring cylinder
- 70b Annular piston
- 70d Rubber boot
- 70g O-ring (80x2)
- 70h O-ring (72x3)
- 70i O-ring (63x2.5)
- 70j Radial seal ring
- 70l Hydraulic pipe
- 71 Oil baffle



P35.41-0203-05

	Removing, installing		
1	Remove, install rear axle center assembly (50)	Models 124, 201 Model 129 Model 202	RA35-0520 AR35.31-P-0520C AR35.31-P-0520D
2	Drain rear axle oil	Oil drain screw	BA35.31-P-1003-02A

		 Installation: ↓  124  129  201  202  Oil filler screw	BF35.31-P-1001-01B BF35.31-P-1001-01C BF35.31-P-1001-01G BF35.31-P-1001-01D BA35.31-P-1002-02A
3	Detach end cover (54)	 Installation: Clean sealing surface and smear with sealing compound  Replace collared bolts (56b)  Collared bolts (56b), bolts (56)	BR00.45-Z-1011-01A BA35.31-P-1001-02A
4	Pull off circlip (30)	 Installation: Replace circlip	AR35.31-P-0540-01A G8
5	Pull out connecting flange (33b)	 Installation: Check contact surface for the radial seal ring on connecting flange, if severely scored: ↓ Replace connecting flange  No axial play adjustment is required on vehicles with ASD	
 BT	Connecting flange with centering	Models 124, 129, 201 as of 04/91	BT35.31-P-0009-01A B18
6	Pull off deep-groove ball bearing		AR35.31-P-0540-04A J14
7	Detach hydraulic pipe (70l)		AR35.41-P-0545-01C A9

 BT	Routing of ASD hydraulic pipe and ring cylinder modified	As of 07/89	BT35.41-P-0002-01A G17
8	Detach ring cylinder (70)	 Installation: Smear ring cylinder on periphery of O-ring with hydraulic fluid: ↓ Hydraulic fluids (specification 343.0)	AR35.41-P-0545-02C B9 BB00.40-P-0343-00A
9	Remove oil baffle (71)	 Installation: Ensure correct seating: ↓ Install oil baffle (71)	AR35.41-P-0545-03C J13
 	Dismantling, assembling		
10	Repair ring cylinder (70)	Replace radial seal ring and smear sealing lip with Universal hypoid transmission fluid: ↓ Universal hypoid transmission fluids Replace O-rings and smear with hydraulic fluid: ↓ Hydraulic fluids (specification 343.0)	AR35.41-P-0545-04C L14 BB00.40-P-0235-07A BB00.40-P-0343-00A
11	Install in reverse order		
12	Bleed ASD hydraulic system	Models 124, 201 Models 129, 202	RA35-0519 AR35.41-P-0519C C4

Nm Rear axle center assembly housing

Number	Designation		Model 124	Model 129
BA35.31-P-1001-02A	Collared bolt, end cover to rear axle center assembly	Nm	50	50
BA35.31-P-1002-02A	Oil filler screw, rear axle center assembly	Nm	50	50
BA35.31-P-1003-02A	Oil drain screw, rear axle center assembly	Nm	50	50

Nm Rear axle center assembly housing

Number	Designation		Model 201	Model 202
BA35.31-P-1001-02A	Collared bolt, end cover to rear axle center assembly	Nm	50	50
BA35.31-P-1002-02A	Oil filler screw, rear axle center assembly	Nm	50	50
BA35.31-P-1003-02A	Oil drain screw, rear axle center assembly	Nm	50	50

Nm Ring cylinder

Number	Designation		Model 124	Model 129	Model 201	Model 202
BA35.41-P-1001-01A	Bolt to ring cylinder	Nm	25	25	25	25


 Rear axle center assembly

Number	Designation			Models 124.003/004/007/ 019/022/023/026/027/ 030/040/042/043/050/ 060/062/079/082/083/ 090/127/128/129/13/ 188/190/191/193/2/3 with (code 211) ASD Models 124.104/107 as of 01.05.94 with (code 211) ASD	Models 124.020/021/080/ 081/120/125/126/180/ 185/186 with (code 211) ASD
BF35.31-P-1001-01B	Filling quantities	Rear axle center assembly	Liters	1.1	1.1
		Specifications for Service Products	Sheet	235.7	235.7
			Sheet	-	-

 Rear axle center assembly

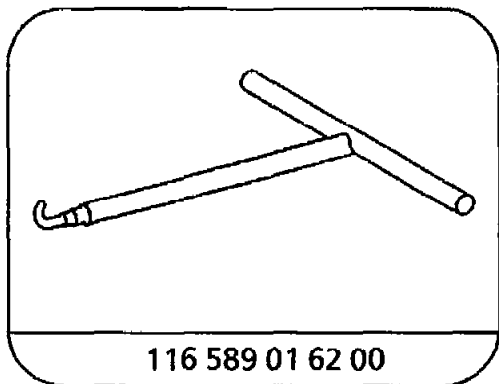
Number	Designation			Model 129.060 with (code 211) ASD
BF35.31-P-1001-01C	Filling quantities	Rear axle center assembly	Liters	1.1
		Specifications for Service Products	Sheet	-
			Sheet	235.7


 Rear axle center assembly

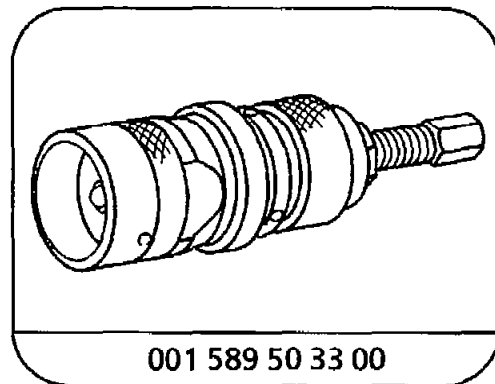
Number	Designation			Models 202.018/020/ 022/120/121/125, with (code 211) ASD
BF35.31-P-1001-01D	Filling quantities	Rear axle center assembly	Liters	1.1
		Specifications for Service	Sheet	-
		Products	Sheet	235.7

 Rear axle center assembly

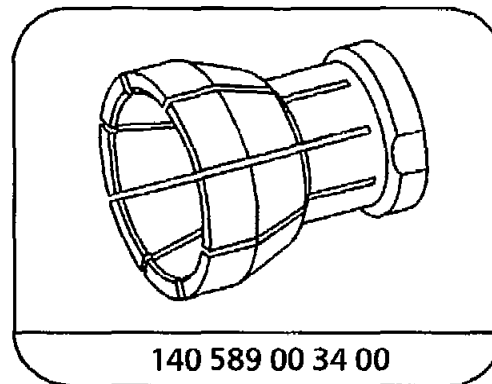
Number	Designation			Models 201.018/023/ 024/028/029/ 035/036/122/ 126/128, with (code 211) ASD
BF35.31-P-1001-01G	Filling quantities	Rear axle center assembly	Liters	1.1
		Specifications for Service	Sheet	-
		Products	Sheet	235.7



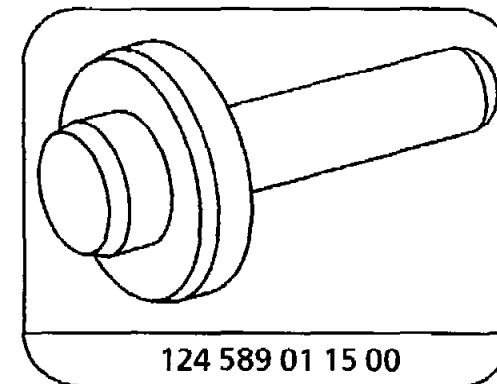
Removal and installation tool



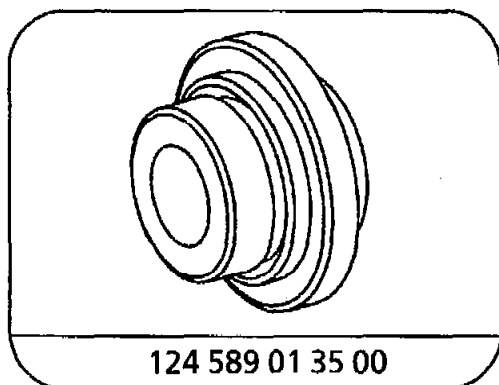
Puller



Clamping pliers



Alignment tool



Pressing-in tool

**Repair product**

Number	Designation	Order number
BR00.45-Z-1011-01A	Hylomar sealing agent	001 989 25 20