



M2	AR35.31-P-0560A	Disassembling and assembling differential	11.8.95
-----------	-----------------	--	----------------

Rear axle center assembly dia. 185

**in MODEL 124.003 /004 /007 /019 /022 /023 /026 /027 /030 /040 /042 /043 /050 /060 /062 /079 /082 /083 /090,
124.104 /107 as of 1.5.94,
124.127 /128 /129 /130 /131 /133 /188 /190 /191 /193 /226 /230 /290 /330 /333 /393, 129, 170.445 /447, 201.028
/029 /035 /036 /128, 202.020 /022 /023 /024 /025 /026 /028 /029 /08 /128 /188, 208.335 /345 /347 /435 /445
/447, 210.007 /010 /020 /035 /037 /061 /210 /235 /237 /261 /610**

Rear axle center assembly dia. 185

**in MODEL 124.020 /021 /080 /081 /120 /125 /126 /180 /185 /186, 201.018 /023 /024 /122 /126 as of 1.11.88,
202.018 /078 /120 /121 /122 /125 /182, 210.003 /004 with CODE (450) Taxi version**

Rear axle center assembly dia. 185

**in MODEL 124.186 as of 1.3.94,
202.134 /194 except CODE (450) Taxi version**

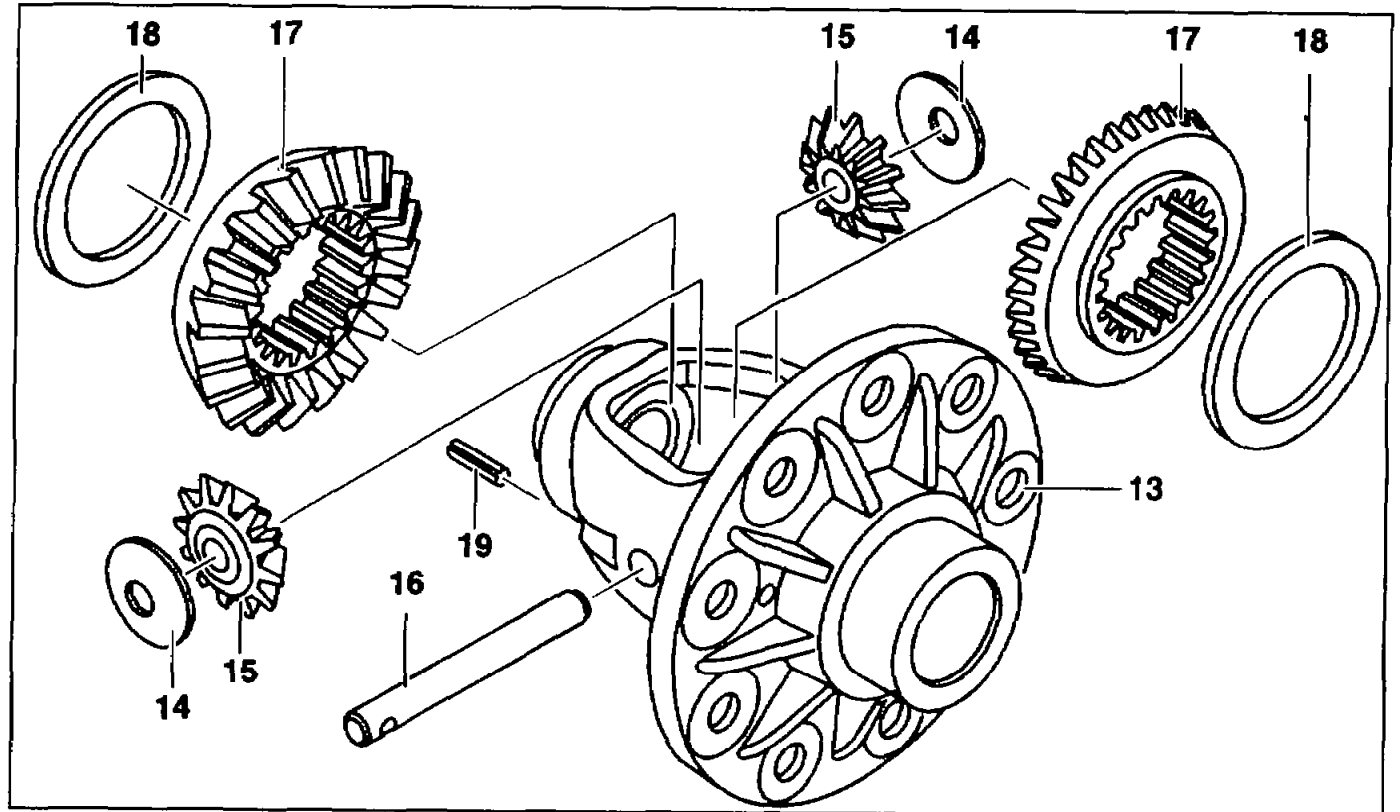
**Rear axle center assembly dia. 198 in MODEL 129, 140, 202.033 /085 /093 /133 /193, 208.365 /370 /465 /470, 210.006 /015
/017 /025 /045 /05 /063 /065 /08 /206 /215 /217 /225 /245 /265 /28 /606 /663, 220.063 /065 /165**

Rear axle center assembly dia. 210

**in MODEL 124.008 /028 /029 /031 /032 /034 /036 /051 /052 /061 /066 /088 /091 /092, 129, 140,
210.070 up to 31.1.98,
210.072,
210.074 /270 up to 31.1.98,
210.272,
210.274 up to 31.1.98,
210.617**

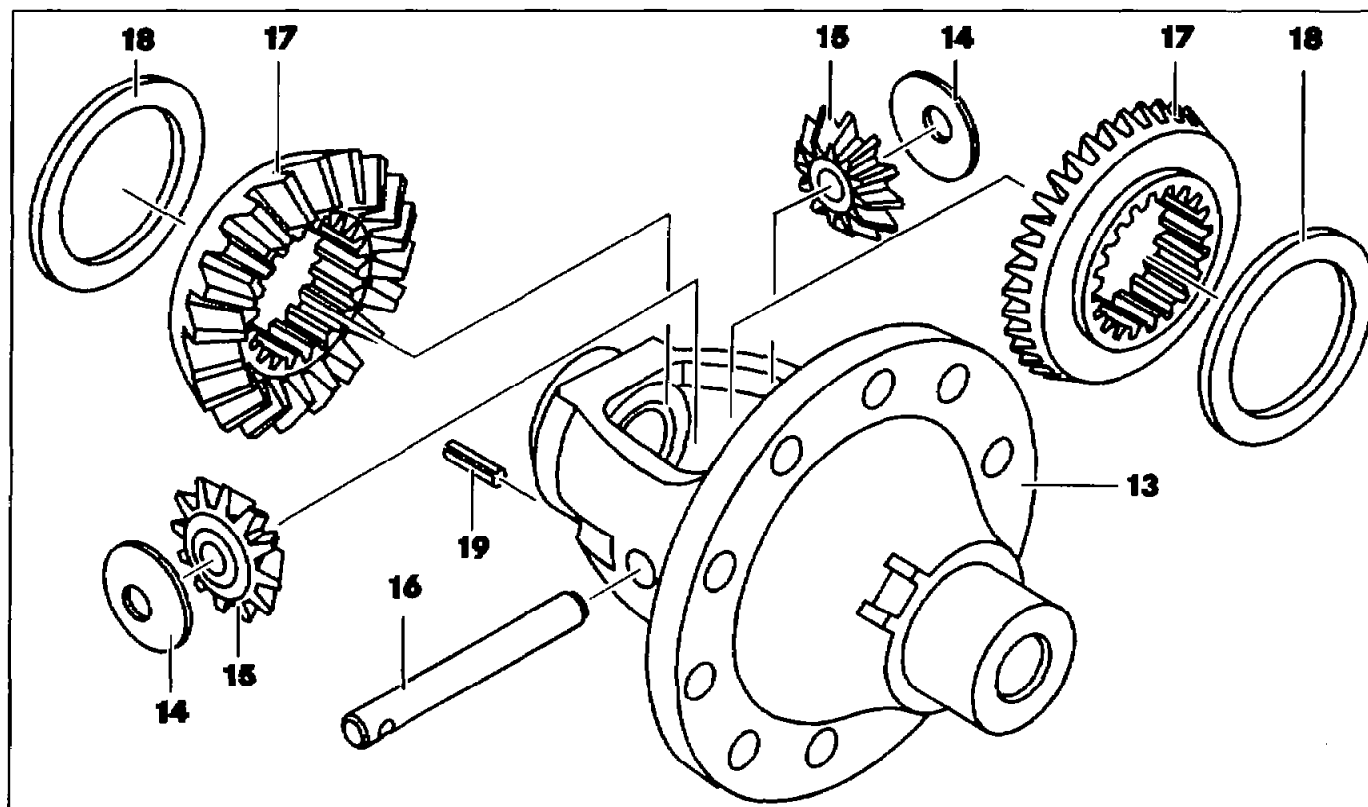


185, 210 mm dia. differential housing
illustrated











198 mm dia. differential housing shown



P35.31-0295-05

	Disassembling		
1	Clamp differential housing (13)	S	AR35.31-P-0560-01A D15
2	Drive out roll pin (19) and differential pin (16)	S	AR35.31-P-0560-02A E15
3	Remove differential bevel gears (15) with spherical washers (14) and differential side gears (17) with thrust washers (18)	S	AR35.31-P-0560-03A F15



4	Check all parts for re-usability and replace, if necessary	 Differential bevel gears, spherical washers and thrust washers which have run hot or have seized must always be replaced.		
	Assembling			
5	Install differential side gears (17) with thrust washers (18) and differential bevel gears (15) with spherical washers (14)		AR35.31-P-0560-04A	G15
 BT	Dynamic balancing of differential housing	Models 124, 129, 201 as of 02/90 with 185 mm dia. rear axle center assembly	BT35.31-P-0006-01C	C18
		Models 124, 129 as of 01/90 with 210 mm dia rear axle center assembly	BT35.31-P-0006-01B	D18
	Checking			
6	Check friction torque of differential		AR35.31-P-0560-05A	J15
7	Drive in differential pin (16) and roll pin (19)		AR35.31-P-0560-02A	E15
8	Unclamp differential housing (13)			

Friction torque of rear axle center assembly

Number	Designation		Models 129.058/063 as of 01.06.94, Models 129.059/064	Models 140.02/03 as of 01.06.94	Models 202.133/193, Model 202.085 with 5- speed manual transmission
BE35.31-P-1002-02A	Friction torque when complete differential is rotated (steel spherical washers)	Nm	5-30	5-30	5-30

Friction torque of rear axle center assembly

Number	Designation		Model 202.033/093	Model 208.365/370/ 465/470	Model 210.006/015/017/025/ 045/053/055/063/065/ 08/206/215/217/225/ 245/265/28/606/663
BE35.31-P-1002-02A	Friction torque when rotating complete differential (steel spherical washers)	Nm	5-30	5-30	5-30

**Friction torque of rear axle center assembly**

Number	Designation	Model 220
BE35.31-P-1002-02A	Friction torque when rotating complete differential (steel spherical washers)	Nm 5-30

Test data of rear axle center assembly friction torque

Number	Designation	Model	Model	Model
BE35.31-P-1002-02C	Friction torque when rotating complete differential (plastic spherical washers)	Nm	40-90	40-90
		Model 124.003/004/007/ 019/022/023/026/027/ 030/040/042/043/050/ 060/062/079/082/083/ 090 Model 124.104/107 as of 01.05.94 Model 124.127/128/129/ 130/131/133 Model 124.186 as of 01.03.94, except (code 450) taxi version Model 124.188/190/191/ 193/226/230/290/330/ 333/393	Model 124.020/021/080/ 081/120/125/126/180/ 185/186, with (code 450) taxi version as of 01.11.88	129.060

Test data of rear axle center assembly friction torque

Number	Designation	Model 170.445/ 447	Model 201.018/023/024/ 122/126, with (code 450) taxi version as of 01.11.88	Model 201.028/ 029/035/ 036/128
BE35.31-P-1002-02C	Friction torque when rotating complete differential (plastic spherical washers)	Nm 40-90	40-90	40-90

Test data of rear axle center assembly friction torque

Number	Designation	Model 202.018/078/120/ 121/122/125/182 with (code 450) taxi version , Model 202.018/020/022/ 120/121/125 with ASD (code 211)	Model 202.020/022/023/ 024/025/026/028/029/ 080/082/083/086/089/ 128/188, model 202.085 with automatic transmission, models 202.134/194, except (code 450) taxi version
BE35.31-P-1002-02C	Friction torque when rotating complete differential (plastic spherical washers)	Nm 40-90	40-90

**Test data of rear axle center assembly friction torque**

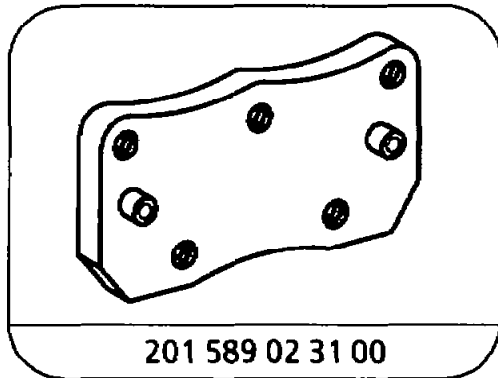
Number	Designation	Model	Model 210.007/ 010/020/035/ 037/061/210/ 235/237/261/ 610	Model 210.003/004 with (code 450) taxi version
BE35.31-P-1002-02C	Friction torque when rotating complete differential (plastic spherical washers) Nm	40-90	40-90	40-90

Test data of rear axle center assembly friction torque

Number	Designation	Model	Model	Model
BE35.31-P-1002-02D	Friction torque when rotating complete differential (steel spherical washers) Nm	124.008/028/029/ 031/032/034/036/051/ 052/061/066/088/091/ 092	129.058/063 up to 31.05.94 Model 129.061/066	140.028/032/ 033 up to 31.05.94 Model 140.042/043/ 063/1
		5-30	5-30	5-30

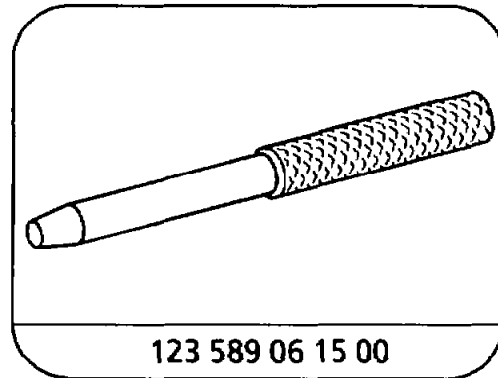
Test data of rear axle center assembly friction torque

Number	Designation	Model 210.070/ 074/270/274 up to 31.01.98, models 210.072/ 272/617
BE35.31-P-1002-02D	Friction torque when rotating complete differential (steel spherical washers)	Nm 5-30



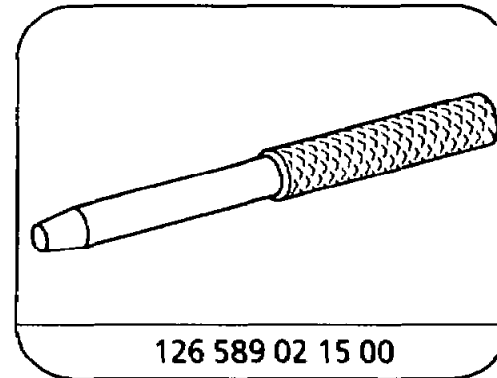
201 589 02 31 00

Plate



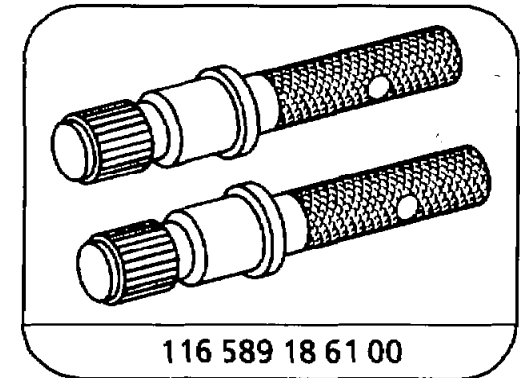
123 589 06 15 00

Assembly mandrel



126 589 02 15 00

Assembly mandrel



116 589 18 61 00

Assembly mandrel