



E4

AR35.41-P-0560C

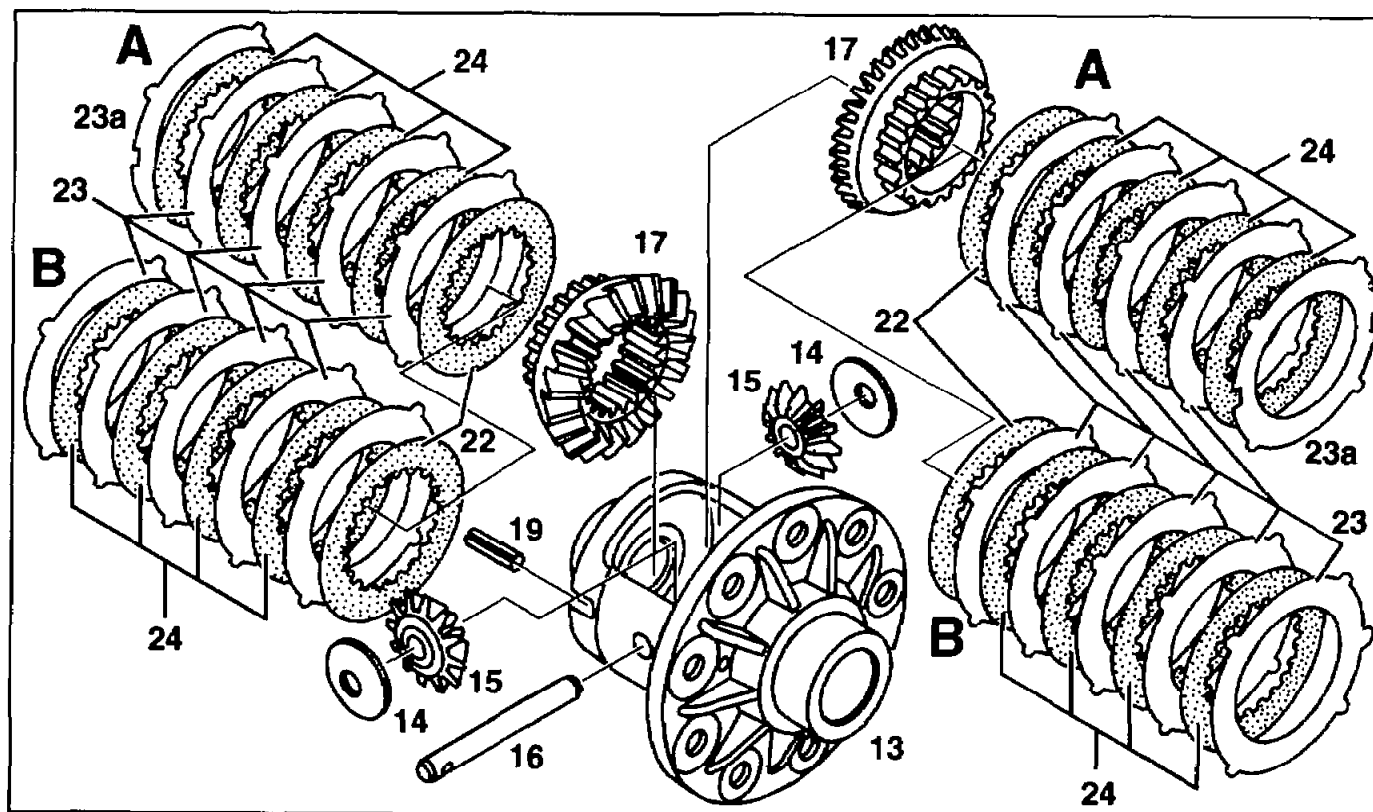
Dismantling and assembling ASD differential

2.5.96

**MODEL 124, 129, 140 up to 31.5.94,
201,**

202 up to 31.5.94 with CODE (211a) Rear axle with automatic locking differential (ASD)

- A** Friction washer pack arrangement
with 185 mm dia. crown wheel
- B** Friction washer pack arrangement
with 210 mm dia. crown wheel



P35.41-0217-05

	Dismantling		
1	Clamp differential housing (13)		AR35.31-P-0560-01A D15



2	Drive out roll pin (19) and differential pin (16)		AR35.41-P-0560-02C	E16
3	Remove differential bevel gears (15) with spherical washers (14)		AR35.41-P-0560-03C	G16
4	Remove differential side gears (17) with friction washers (22, 23, 23a, 24)		AR35.41-P-0560-04C	J16
5	Check all parts for reusability and replace, if necessary		Differential bevel gears, spherical washers and friction washers which have run hot or seized must always be replaced.	
	Assembling			
6	Install differential side gears (17) with friction washers (22, 23, 23a, 24)		AR35.41-P-0560-04C	J16
BT	Dynamic balancing of differential housing	<p>Smear friction washers with lining (22, 24) thoroughly with Universal hypoid transmission fluid: ↓</p> <p>Universal hypoid transmission fluids (SAE 85 W-90)</p> <p>Models 124, 129, 201 as of 02/90 with 185 mm dia. crown wheel</p>	BB00.40-P-0235-07A	C18
		Models 124, 129 as of 01/90 with 210 mm dia. crown wheel	BT35.31-P-0006-01B	D18
7	Install differential bevel gears (15) with spherical washers (14)		AR35.41-P-0560-03C	G16
	Checking			
8	Check friction torque of ASD differential		AR35.41-P-0560-05C	N16



9	Drive in differential pin (16) and roll pin (19)		AR35.41-P-0560-02C	E16
10	Unclamp differential housing (13)			

Test values - friction torque of ASD rear axle center assembly

Number	Designation		Model 124 with 185 mm dia. rear axle center assembly and CODE 211a (ASD)	Model 129 with 185 mm dia. rear axle center assembly and CODE 211a (ASD)
BE35.41-P-1001-01A	Friction torque when complete differential is rotated	Nm	80-160	80-160

Test values - friction torque of ASD rear axle center assembly

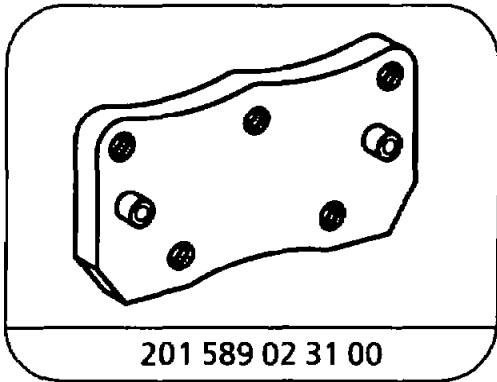
Number	Designation		Model 201 with 185 mm dia. rear axle center assembly and CODE 211a (ASD)	Model 202 with 185 mm dia. rear axle center assembly and CODE 211a (ASD)
BE35.41-P-1001-01A	Friction torque when complete differential is rotated	Nm	80-160	80-160

Test values - friction torque of ASD rear axle center assembly

Number	Designation	Model 124 with 210 mm dia. rear axle center assembly and CODE 211a (ASD)	Model 129 with 210 mm dia. rear axle center assembly and CODE 211a (ASD)
BE35.41-P-1001-01B	Friction torque when complete differential is rotated Nm	80-160	80-160

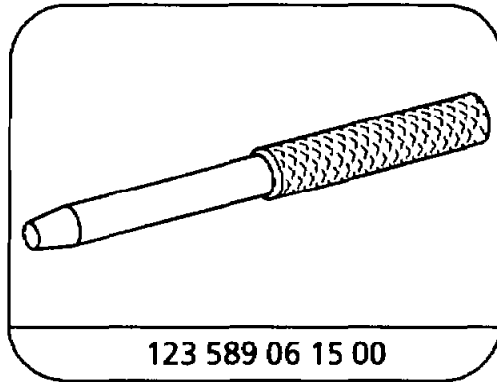
Test values - friction torque of ASD rear axle center assembly

Number	Designation	Model 140 with 210 mm dia. rear axle center assembly and CODE 211a (ASD)
BE35.41-P-1001-01B	Friction torque when complete differential is rotated Nm	80-160



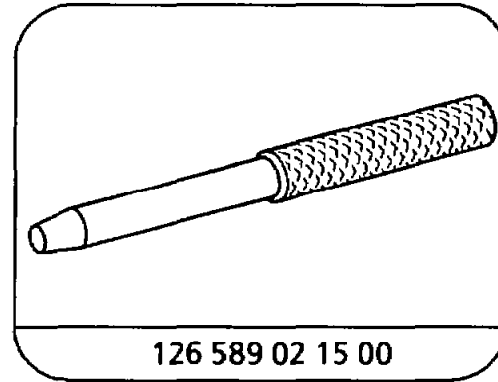
201 589 02 31 00

Plate



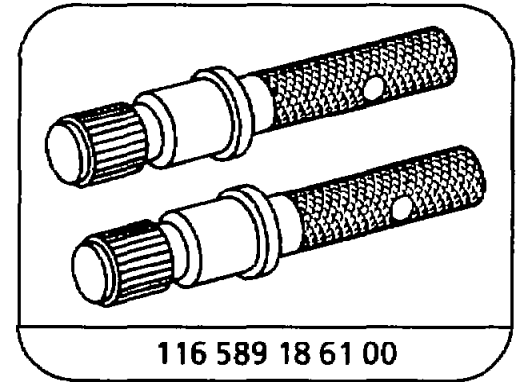
123 589 06 15 00

Drift punch



126 589 02 15 00

Drift punch



116 589 18 61 00

Assembly mandrel