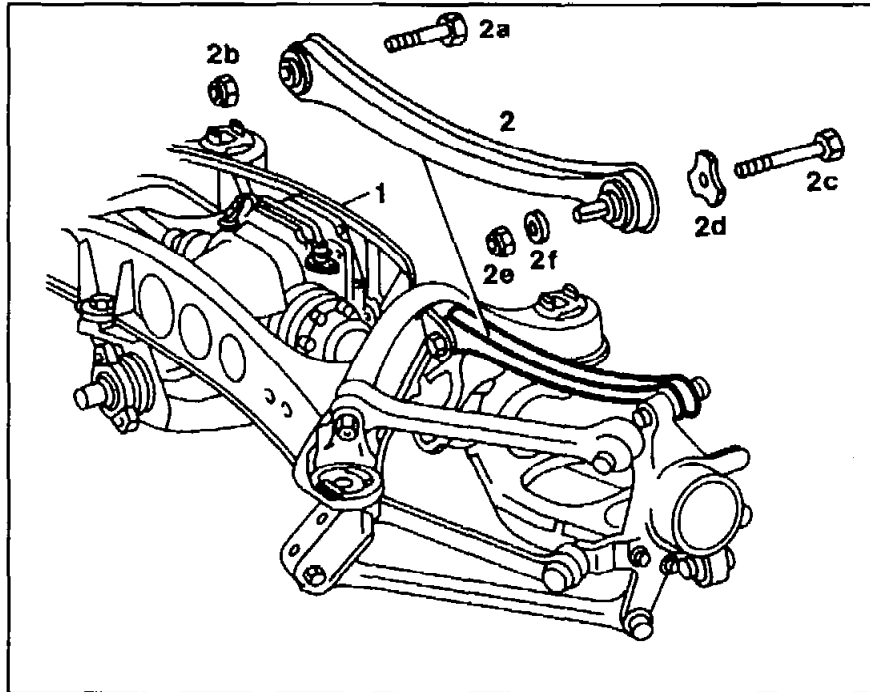


## 35-110 Removal and Installation of camber strut

Preceding work:  
Remove, install wheels 40-110.

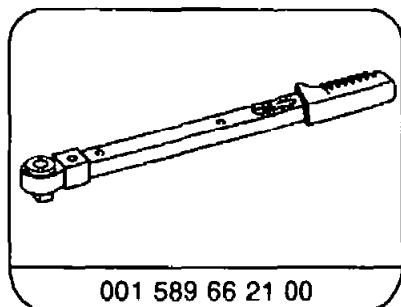
Operation no. of operation texts and work units  
or standard texts and flat rates:  
35-0044



P35-5478-35

- |   |   |
|---|---|
| Camber strut (2) on rear axle bracket ..... | Unscrew, replace, screw on, self-locking hexagon nut (2b), 70 Nm, only tighten when the rear axle shaft is horizontal (number 1). Torque wrench 001 589 66 21 00.   |
| Camber strut (2) on wheel carrier .....     | Unscrew, screw on self-locking hexagon nut (2e) (number 2). Remove hexagon bolt (2c), shaped washer (2d), washer (2f) and hexagon nut (2e) and replace. Press tensioning sleeves out of wheel carrier, remove camber strut (number 3, 4). Only tighten hexagon nut when rear axle shaft is horizontal, 45 Nm. Torque wrench 001 589 66 21 00. |
| Rubber mount .....                          | Check for damage, replace camber strut if required (number 5).  |

## Special tools



## Note

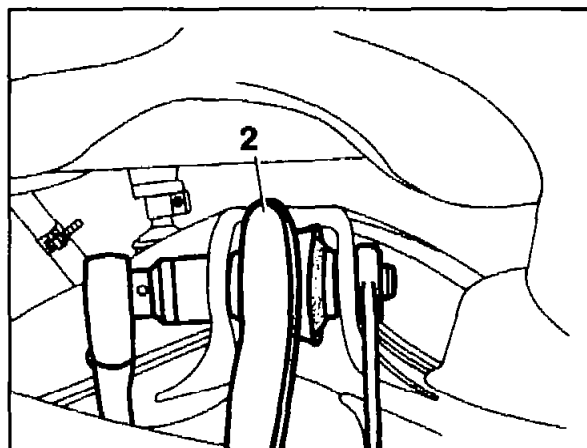
The rubber mounts of the camber strut cannot be replaced individually. The camber strut is only available as a replacement part with rubber mount. The mounts can be removed or installed when the rear axle is installed.

## Removal, installation

1 Loosen self-locking hexagon nut of camber strut (2) on rear axle bracket. Remove hexagon bolt.

## Installation note

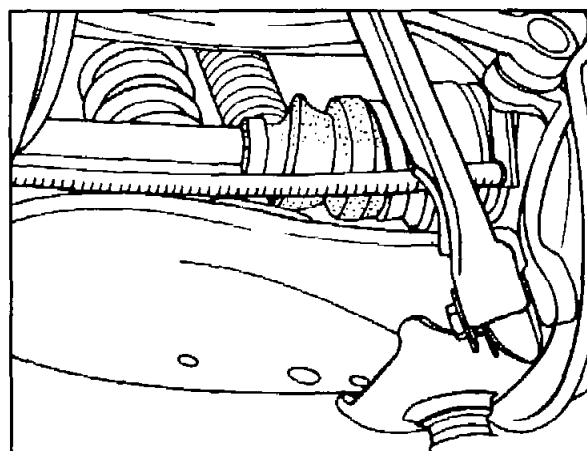
Replace hexagon nut and hexagon bolt. Before tightening, position the rear axle shaft horizontally. Tightening torque 70 Nm. Torque wrench 001 589 66 21 00.



P35-5479-13



When raising one side of the rear axle until the rear axle shaft is horizontal, ensure that the vehicle does not lift off the supporting surface of the hoist - risk of accident.  
If necessary, load up the trunk.

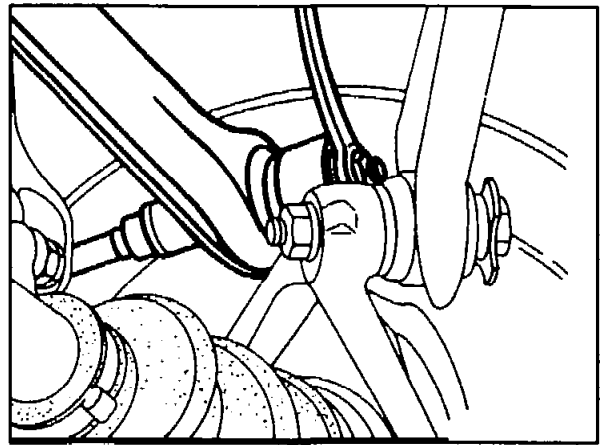


P35-5480-13

2 Loosen self-locking hexagon bolts on the wheel carrier. Remove hexagon nut, hexagon bolt, shaped washer and washer.

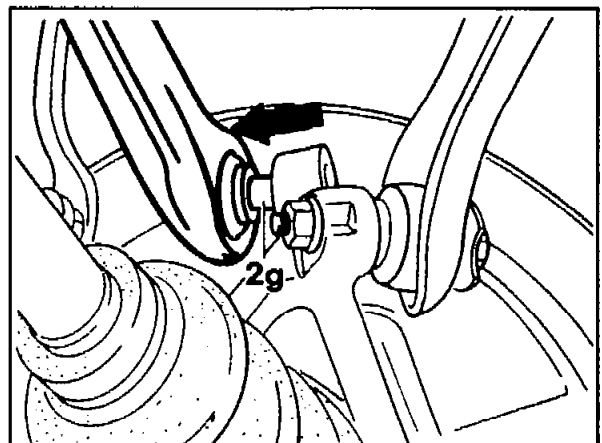
**Installation note**

Replace hexagon nut, hexagon bolt and shaped washer. The rear axle shaft should be horizontal before tightening. Tightening torque 45 Nm. Torque wrench 001 589 66 21 00.



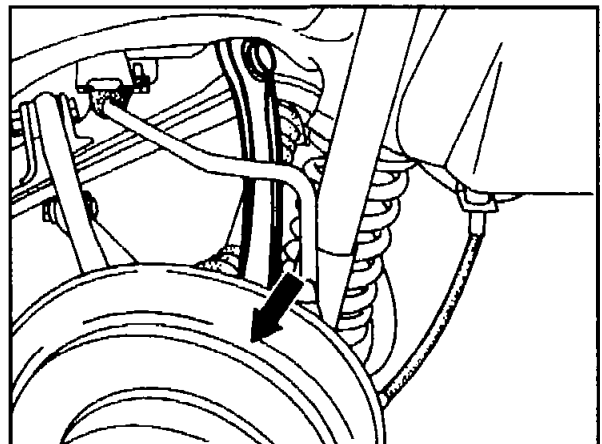
P35-5481-13

3 Press tensioning sleeve (2g) out of wheel carrier (arrow).



P35-5483-13

4 Press camber strut upwards out of rear axle bracket mounting, press wheel carrier outwards slightly (arrow), remove camber strut downwards.



P35-5482-13

5 Check rubber mount, replace camber strut complete in the event of damage.

6 Install in reverse sequence.