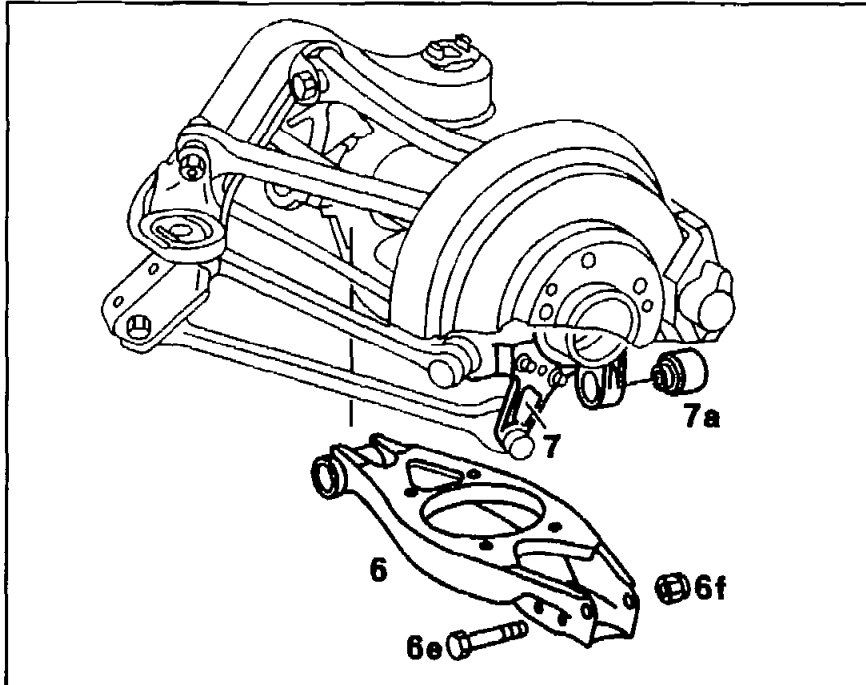


35-116 Replacement of supporting joint on wheel carrier (wheel carrier installed)

Preceding work:
Remove, install wheels 40-110

Operation no. of operation texts and work units
or standard texts and flat rates:
35-0300, 35-0301, 35-0305

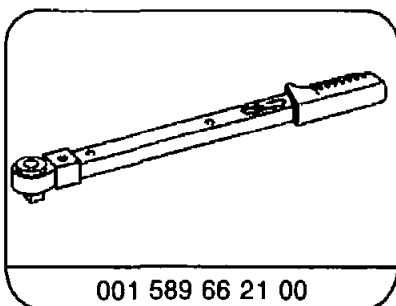
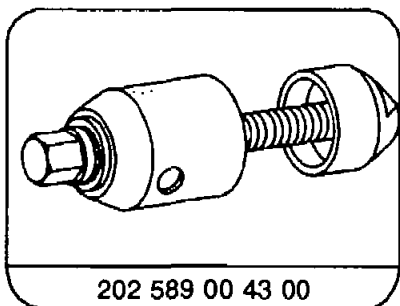
A. Model 124, 201 (except 124.034/036/08/09/18/19/29/39)



P35-5844-35

Self-locking hexagon nut (6f)	screw off, replace, screw on, 120 Nm (number 1). Torque wrench 001 589 66 21 00.
Hexagon bolt (6e)	remove from spring link, install.
Wheel carrier (7)	press upwards, when inserting into spring link do not damage cup seal on supporting joint (number 2).
Supporting joint (7a)	remove, install. Extractor/pulling-in equipment 202 589 43 00. Pull supporting joint into wheel carrier so that supporting joint is located in center of the wheel carrier eye (number 3, 4, 5).

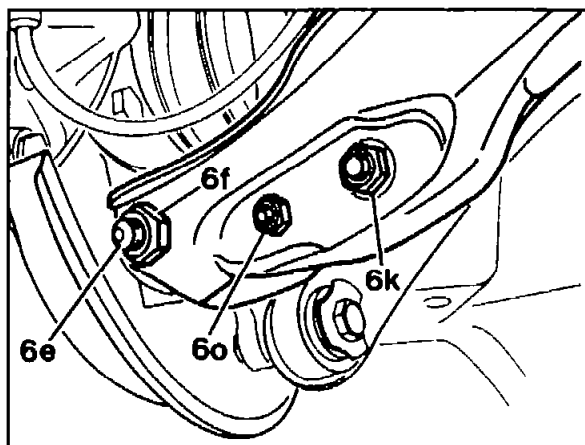
Special tools



- 1 Screw self-locking hexagon nut (6) off of spring link and remove hexagon bolt (6e).

Installation note

Replace self-locking hexagon nut.
Tightening torque 120 Nm.
Torque wrench 001 589 66 21 00.

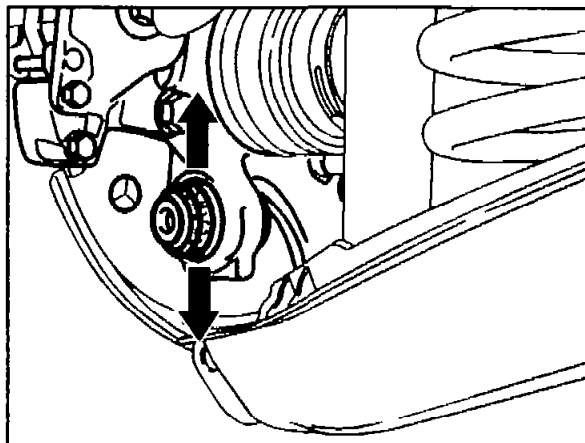


P35-2039-13

- 2 Press wheel carrier upward out of spring link (arrow).

Installation note

When inserting wheel carrier into spring link ensure that rubber cup seals on supporting joint are not damaged.



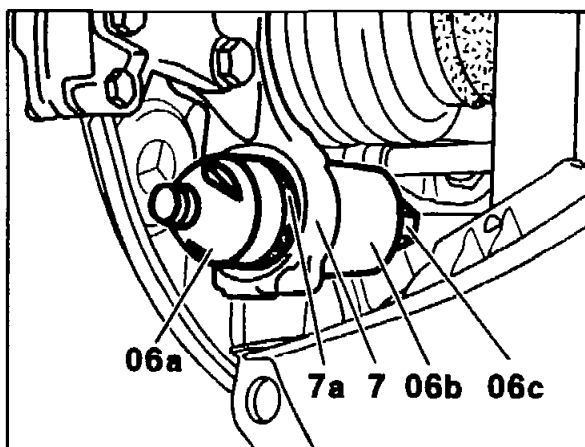
P35-5847-13

- 3 Pull supporting joint (7a) out of wheel carrier (7) with extractor/pulling-in equipment 202 589 00 43 00 consisting of thrust piece (06a), steadying bush (06b) and clamping bolt (06c).

Note

The cut-out in the steadying bush (06b) must point outward toward wheel carrier.

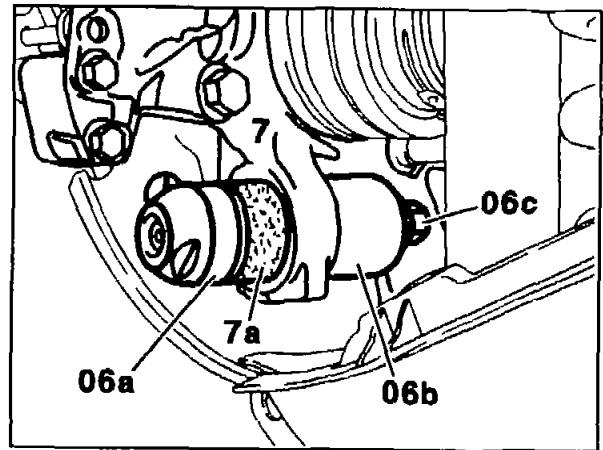
- 4 Take off extractor/pulling-in equipment together with supporting joint.



P35-5845-13

5 Pull supporting joint (7a) into wheel carrier with extractor/pulling-in equipment
202 589 00 43 00 (06a-06c).

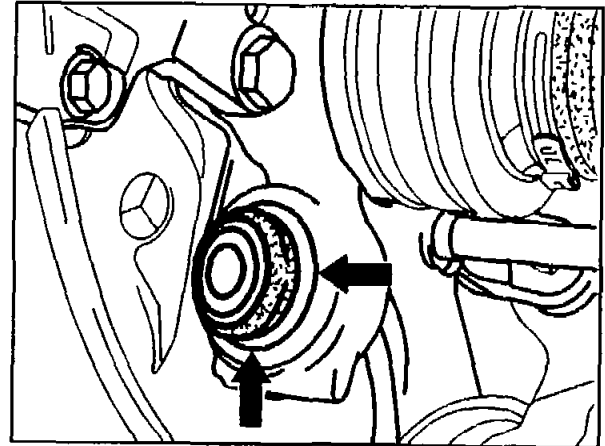
- 06a Thrust piece
- 06b Steadying bush
- 06c Clamping bolt
- 7 Wheel carrier
- 7a Supporting joint



P35-5849-13

Installation note

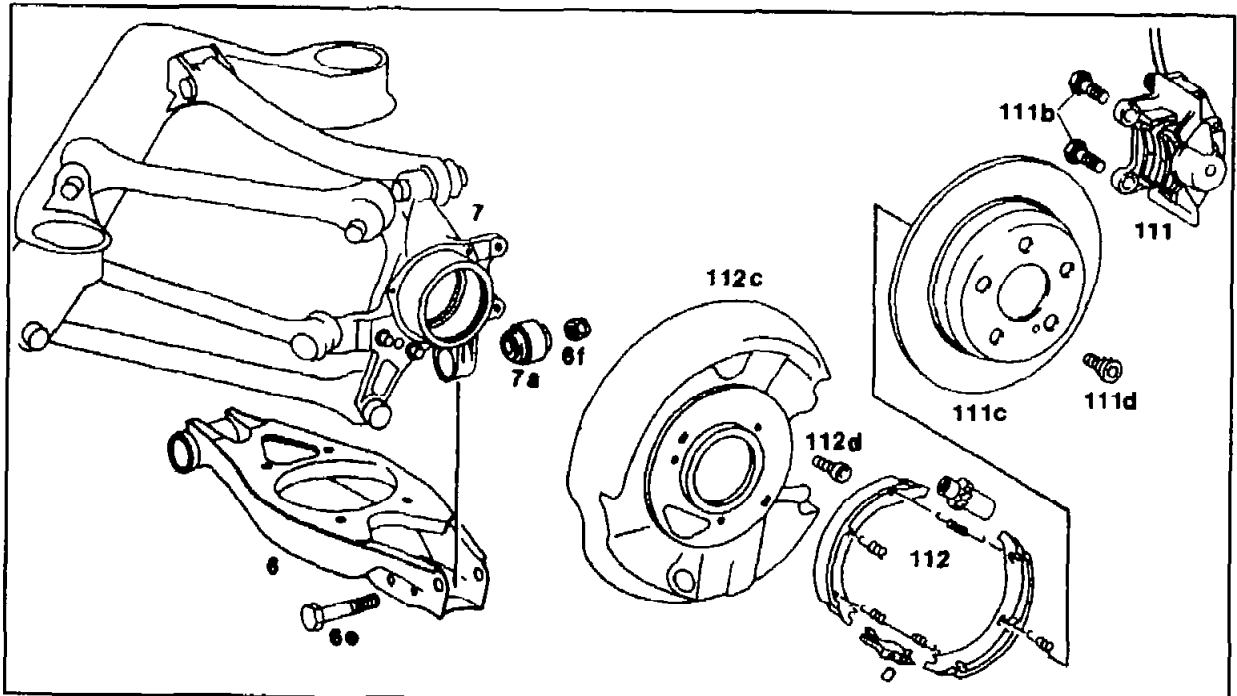
The supporting joint is correctly seated on the wheel carrier when the supporting joint is located in the center of the eye of the wheel carrier chamfer (arrows).



P35-5848-13

6 Reinstall in opposite order.

B. Model 124.034/036/08/09/18/19/29/39



P35-0030-55

Brake caliper (111) remove, install (42-120, number 1).

On vehicles with ASR

Cable for brake lining wear indicator remove, clip in on spring link (number 2).

Brake disc (111c) remove, install (42-228, number 3).

Brake shoes (112) on parking brake remove, install and adjust (42-530, number 4).

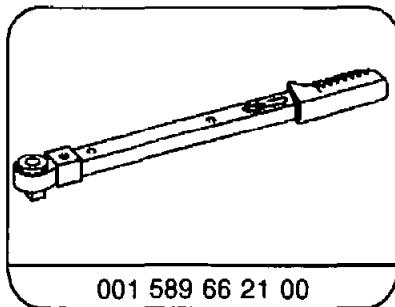
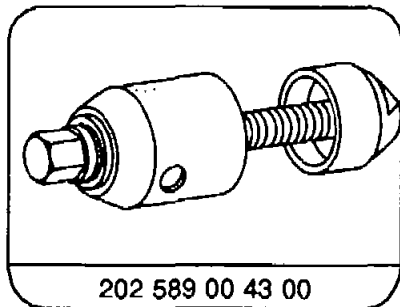
Hexagon socket bolt (112d) on brake shield (112c) screw out, screw in and turn brake shield (number 5).

Self-locking hexagon nut (6f) screw off, replace, 120 Nm (number 6).
Torque wrench 001 589 66 21 00.

Wheel carrier (7) press upwards, when installing in spring link, do not damage cup seal on supporting joint (number 7).

Supporting joint (7a) pull out, pull in with extractor/pulling-in equipment 202 589 00 43 00. Pull supporting into wheel carriers so that supporting joint is located in the center of the wheel carrier eye (numbers 8, 9, 10).

Special tools

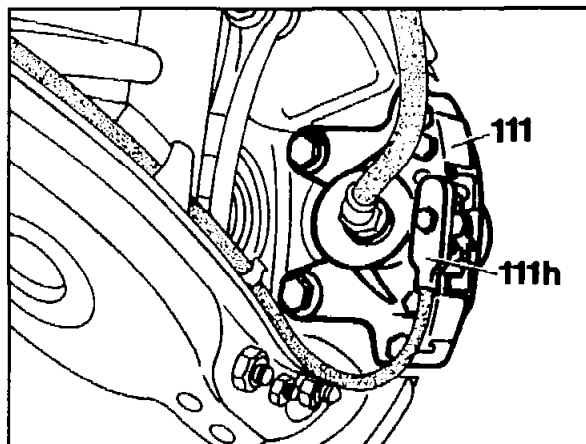


Removal, installation

1 Remove brake caliper from wheel carrier and hang on hook (42-120).

2 On vehicles with ASR

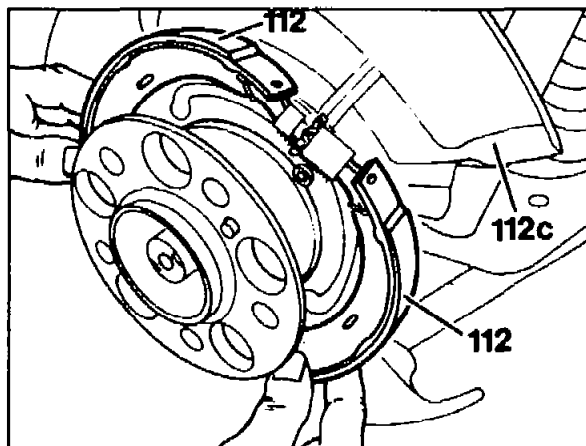
Unclip cable (111h) for brake lining wear indicator from cable rail.



P35-5461-13

3 Remove brake disc (42-228).

4 Remove brake shoes (112) for parking brake (42-530).

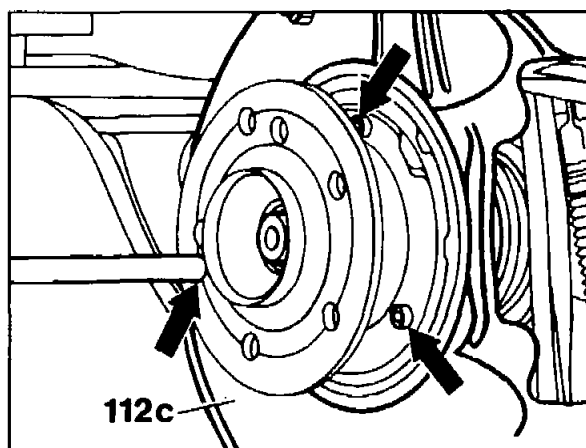


P35-5519-13

5 Unscrew hexagon socket bolts (arrows) for attaching brake shield (112c) and turn shield so that its cut-out exposes the supporting joint.

Installation note

Check for damage and good seating. Replace self-locking hexagon socket bolts.

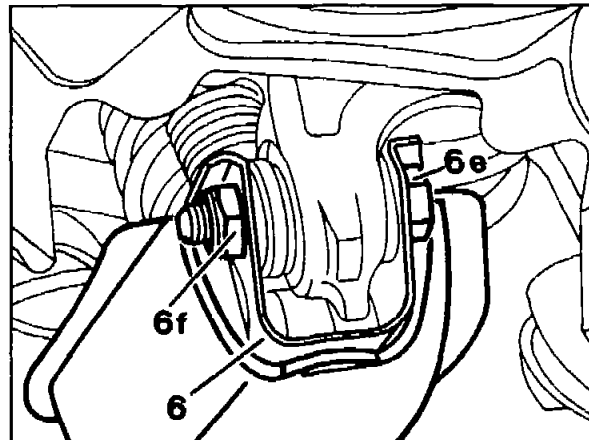


P35-5521-13

6 Unscrew self-locking hexagon nut (6f) on spring link and remove with hexagon bolt (6e).

Installation note

Replace self-locking hexagon nut.
Tightening torque 120 Nm.
Torque wrench 001 589 66 21 00.

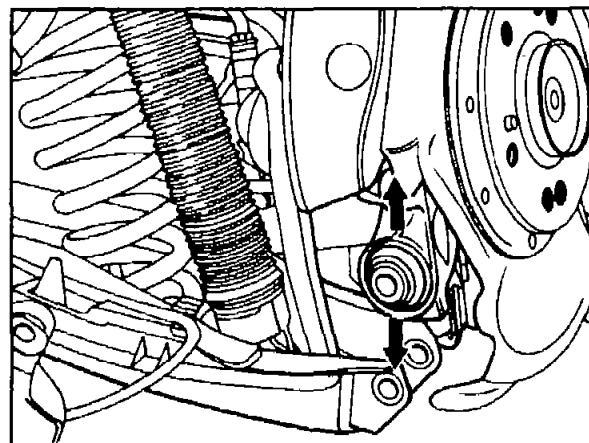


P35-5524-13

7 Press wheel carrier upwards out of spring link (arrows).

Installation note

When installing wheel carrier in spring link ensure that rubber cup seals on supporting joint are not damaged.



P35-2049-13

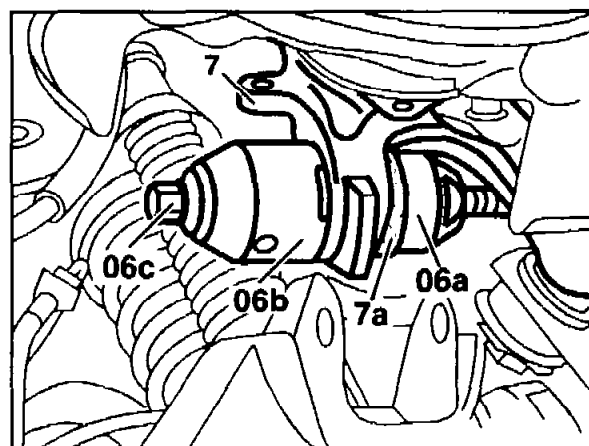
8 Pull supporting joint (7a) out of wheel carrier (7) with extractor/pulling-in equipment 202 589 00 43 00 consisting of thrust piece (06a), steadying bush (06b) and clamping bolt (06c).

Note

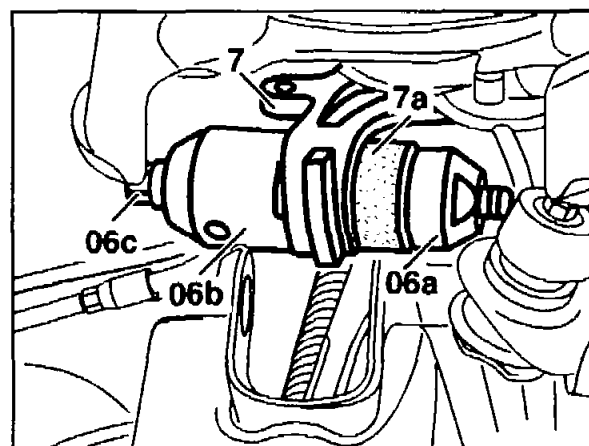
The cut-out in the steadying bush (06b) must point outward toward the wheel carrier (7).

9 Take off extractor/pulling-in equipment together with supporting joint.

10 Pull supporting joint (7a) into wheel carrier (7) with extractor/pulling-in equipment 202 589 00 43 00 (06a-06c).



P35-5898-13

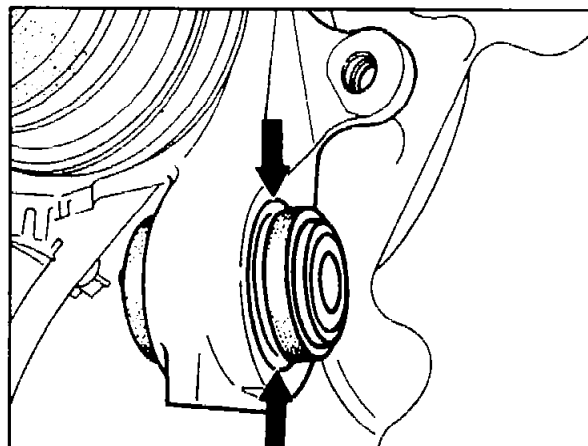


P35-5899-13

- 06a Thrust piece
- 06b Steadying bush
- 06c Clamping bolt
- 7 Wheel carrier
- 7a Supporting joint

Installation note

The supporting joint is correctly seated in the wheel carrier when the supporting joint is located in the center of the eye of the wheel carrier chamfer (arrows).



P35-5527-13

11 Reinstall in opposite order.