

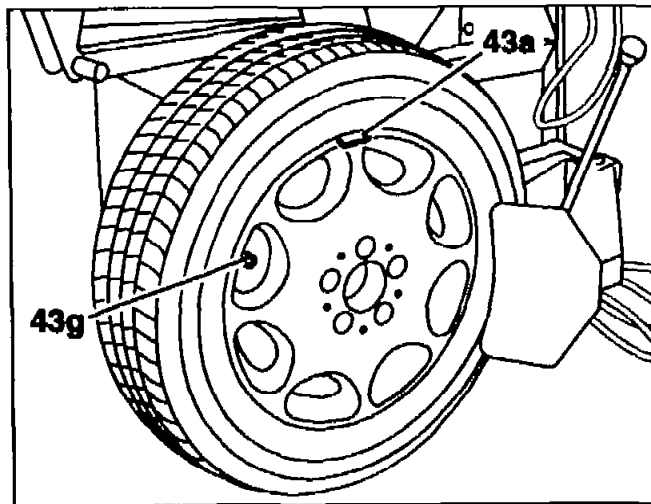


B1 AR40.10-P-1030A	Replacing tires	27.1.95
---------------------------	------------------------	----------------

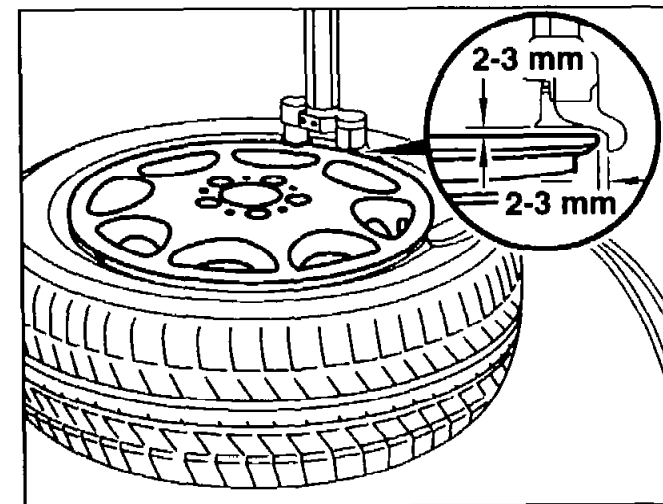
MODEL all

43a Balance weight

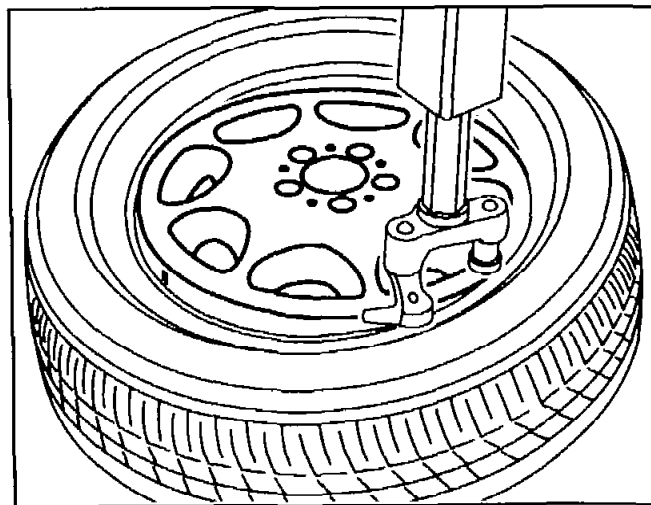
43g Rubber valve



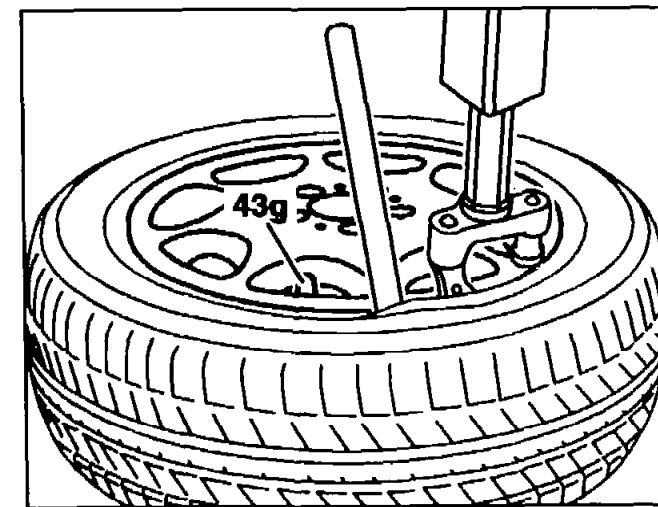
P40.10-0217-01



P40.10-0218-01



P40.10-0219-01






P40.10-0220-01

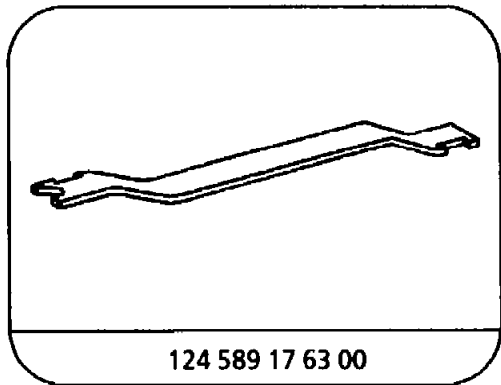


	Removing		
1	Comply with information on tires/disc wheels		AH40.10-P-9411-01A B18
2	Unscrew valve insert from rubber valve (43g), remove any balance weights (43a)	 	124 589 17 63 00 129 589 00 59 00
2.1	Drain sealant out of tires which have been filled with TIREFIT sealant	Model 170 The spare wheel with folding tire is only available as an assembly. The spare wheel with folding tire can only be replaced completely. If a spare wheel is damaged, dismantle folding tire and dispose of it separated from the disc wheel.	AR40.10-P-1080A K1
3	Mount pressing-off blade of tire fitting unit on the tire bead opposite the rubber valve (43g)	It must not be pressed against the tire flank but only against the bead flank otherwise the carcass will be damaged	
4	Press inside and outside of tire over the safety shoulder of the disc wheel		

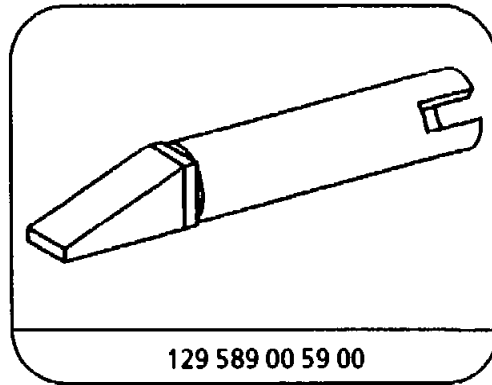


5	Clamp disc wheel onto the tire fitting unit. Moisten flange and tire bead with soapy water. Align assembly head (see illustration).	Only use soapy water for fitting and removing tires	
6	Place rubber valve (43g) 10 cm behind the assembly head		
7	Lever tire bead with a tire iron over the assembly lug and pull off the tire		
8	Check condition of disc wheel		AR40.10-P-1010-01A H17
	Fitting		
9	Replace rubber valve (43g)		
10	Place tire obliquely on the disc wheel and pull on over the rim flange using the tire fitting unit	Load bead section as little as possible  Comply with direction of rotation in the case of tires which have a direction of rotation	
11	Align match points of tire and disc wheel, remove disc wheel with tire from tire fitting unit		
12	Pump up tires without valve insert to max. 3 bar	 The tire must slip evenly over the safety shoulder of the disc wheel, otherwise coat the tire bead again with soap suds	

13	Screw in valve insert and correct tire inflation pressure to the specified value (refer to tank flap)		
14	Balance wheel		AR40.10-P-1040A F1



Assembly tool



Lifter