



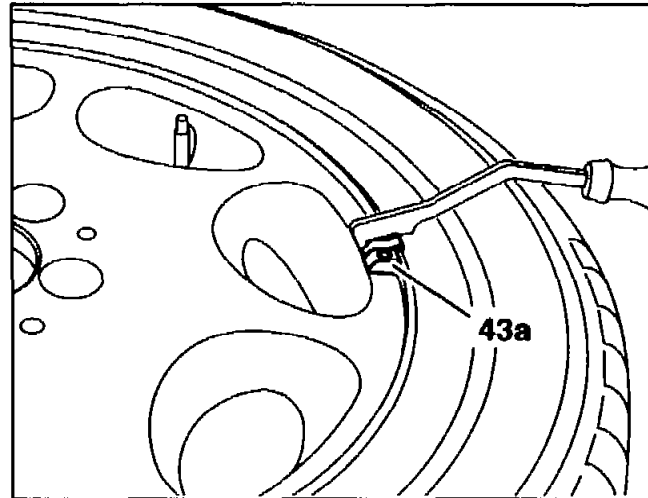
F1	AR40.10-P-1040A	Balancing wheels	27.1.95
----	-----------------	------------------	---------

MODEL 124, 129, 140, 170, 202, 208, 210, 220

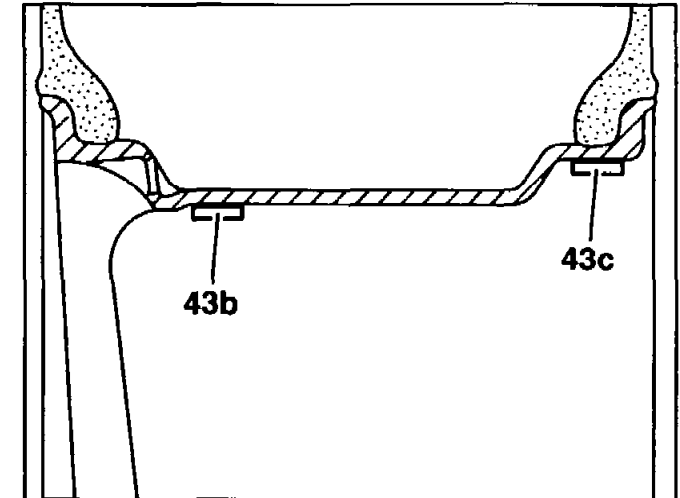
43a *Balance weight with retaining clip*

43b *Adhesive weight*

43c *Adhesive weight*



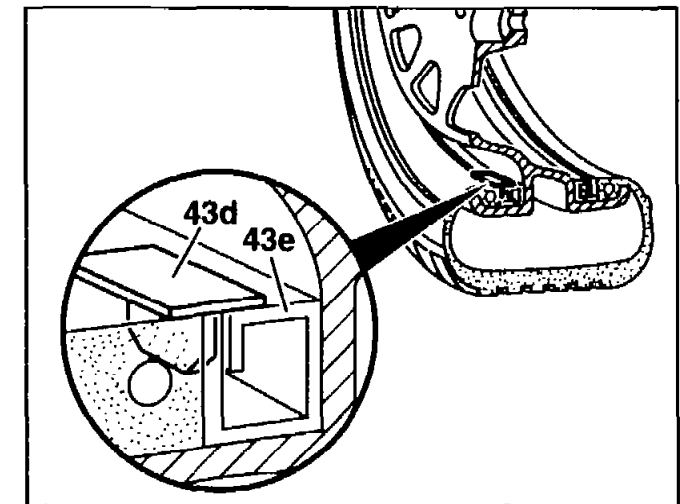
P40.10-0214-01








P40.10-0215-01

43d *Balance weight for CTS wheel*

43e *Support ring on CTS wheel*

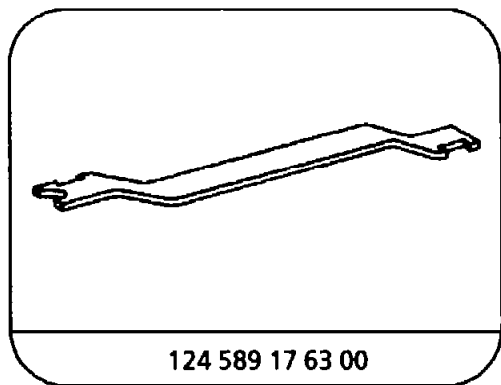


P40.10-0216-01

	Balancing		
1	<p>Remove balance weight (43a) with retaining clip.</p> <p>Remove adhesive weight (43b, 43c) with lifting device</p> <p>Remove balance weight for CTS wheel (43d) from support ring (43e)</p>	<p> Assembly tool</p> <p> lifting device Use adhesive weights on light-alloy disc wheels when space is limited</p> <p> On special protection vehicles only</p>	<p>124 589 17 63 00</p> <p>129 589 00 59 00</p>
2	<p>Clean wheels if necessary, attach to static balancing machine and balance to a maximum of 5-10g for each side of the wheel.</p>	<p> Use recommended balancing machines, observe manufacturers' specifications. ↓</p> <p> Install centering sleeve</p> <p>Adjustment value on balancing machine for special protection vehicles with CTS wheel</p>	<p>AR40.10-P-1040-01A J17</p> <p>AR40.10-P-1040-04A L17</p>

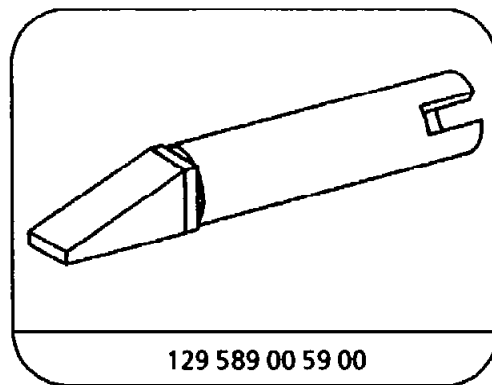


3	Balancing on the vehicle	<p>i Use recommended balancing machines, observe manufacturers' specifications.</p> <ul style="list-style-type: none">- Rebalancing wheels on the vehicle only with wheels which have been balanced statically.- The doors of the vehicle must be closed- Balance with wheel covers in the case of sheet-steel disc wheels.- Only drive rear wheels with the engine otherwise the rear axle center assembly will be damaged. <p>i Model 124 Balancing on vehicles with 4MATIC.</p> <p>i Models 124, 129, 140, 170, 202, 208, 210, except 210.08/28, 220 Balancing on vehicles with ETS, ASR or ESP.</p>	<p>AR40.10-P-1040-02A M17</p> <p>AR40.10-P-1040-03A N17</p>
---	--------------------------	---	---



124 589 17 63 00

Assembly tool



129 589 00 59 00

Lifting device

Commercially available tools (refer to workshop equipment manual)

Number	Designation	Company (e.g.)	Order number
WH58.30-Z-1003-18A	Centering sleeve DUO-FLEX 2 When ordering, quote the flange shaft diameter and type of balancing machine	HAWEKA D-30928 Burgwedel	16 100 8006
WH58.30-Z-1004-18A	Conversion kit	Hofmann D-64319 Pfungstadt	6416 451