

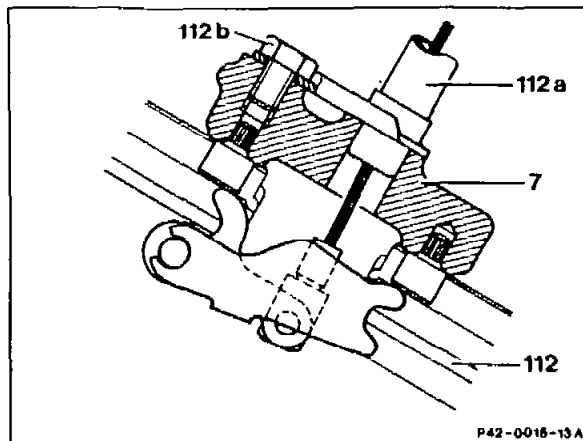
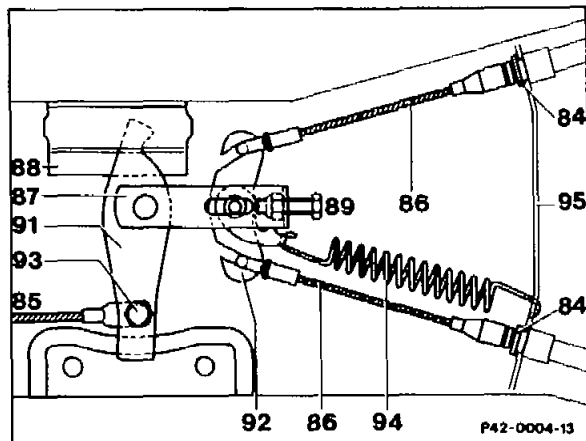
## 42-0525 Removal and installation of rear brake control cable

### Preceding work:

Remove brake shoes for parking brake (42-0530).  
Remove rear exhaust heat shield (49-0100).

Operation no. of operation texts and work units or standard texts  
and flat rates

42-5942, 42-5944, 42-5952, 42-5954



Rear exhaust heat shield .....	remove, install.
Return spring (94) .....	unhook on holder (95), hook in.
Adjustment screw (89) .....	turn back on adjustment bracket (87).
Front brake control cable (85) .....	remove on intermediate lever (91), install. Replace self-locking hex. head bolt (93).
Intermediate lever (91) .....	unhook on mount (88) on frame floor, hook in.
Brake control cables (86) .....	unhook on lever (92), hook in.
Spring clip (84) .....	remove, install. Pull brake control cable (86) out of holder (95).
Spreader lock (109) .....	remove by pulling out pin (114).
Self-locking hex. head bolt (98) .....	screw out on wheel carrier. When installing use new self-locking hex. head bolt. Remove brake control cable (86).
Parking brake .....	adjust after installing rear brake control cable (42-0540).