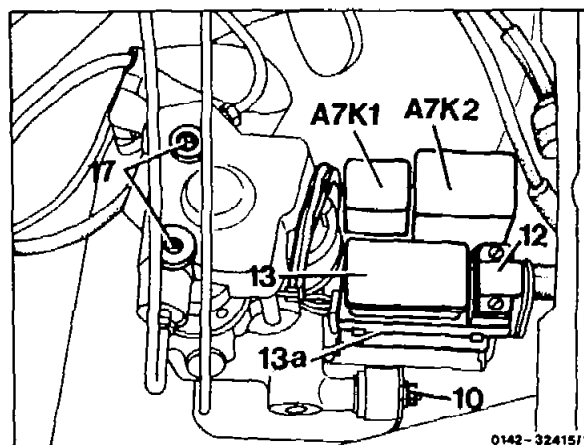
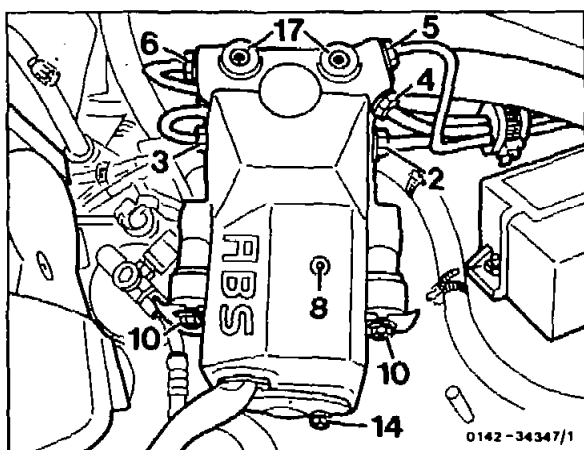


## 42-0710 Removal and Installation of relays for solenoid valve and charge/return pump

Operation no. of operation texts and work units or standard texts and flat rates:  
42-8201, 42-8202, 42-8204.

### Note

Phased in at the beginning of 1986 a modified hydraulic unit has been installed. The valve relay (A7K1) has six contact pins (previously 5) and contains the diode previously located in the plug socket of the hydraulic unit.



Ignition .....  
Hexagon socket bolt (Torx) (8) .....  
Solenoid-valve relay (A7K1) .....  
Return/charge pump relay (A7k2) .....

**OFF.**  
unscrew, remove plastic cover.  
remove, reinstall.  
remove, reinstall.

### Special tool

