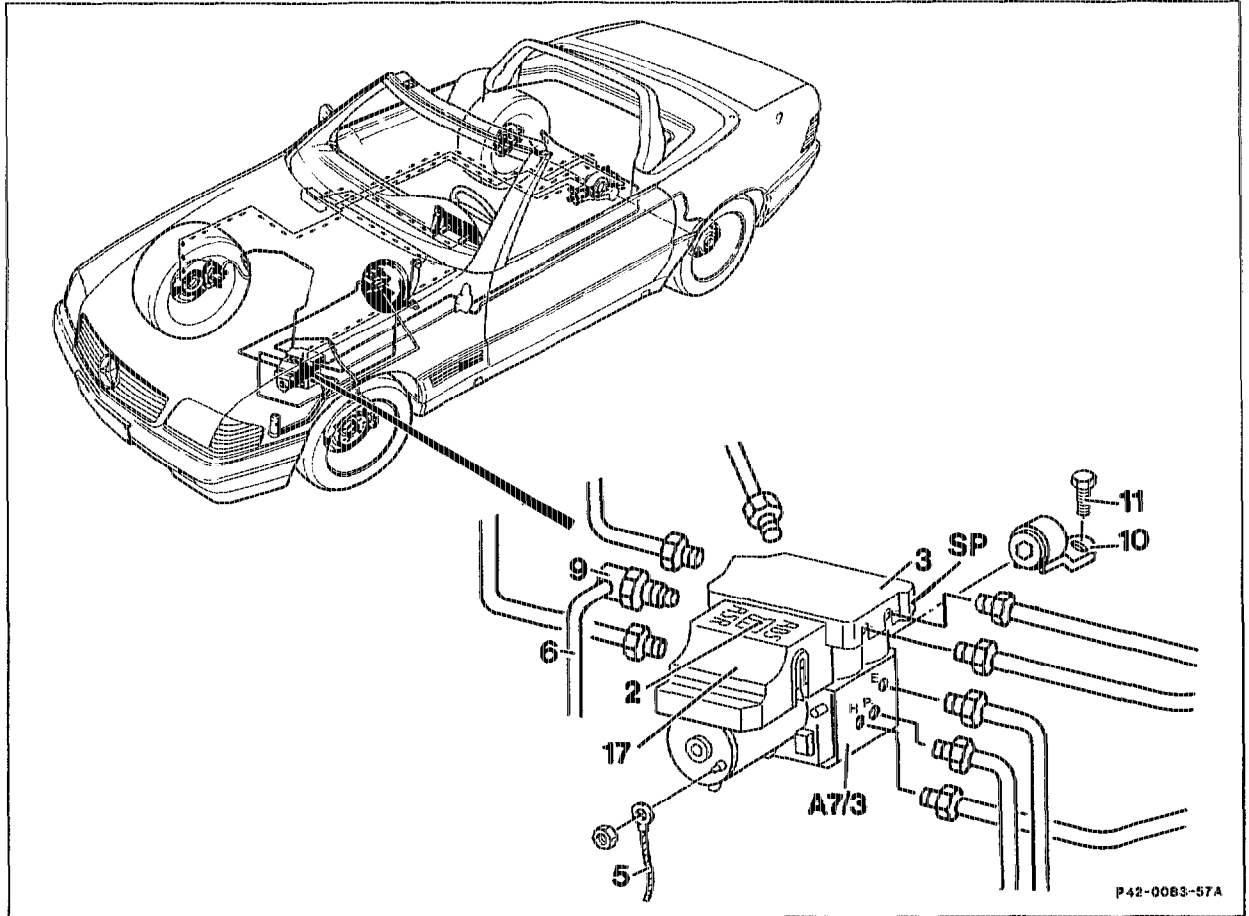


## 42-0816 Removal and installation of ASR hydraulic unit (A7/3)

Operation no. of operation texts and work units or standard texts  
and flat rates ..... 42-0125



Shown on model 129

Ignition .....	OFF.
Hydraulic system .....	depressurize. To do this, open bleed screw "SP" on ASR hydraulic unit (A7/3) approx. one turn, allow the complete contents of accumulator to discharge into the brake fluid receptacle.
Cover hoods (3,17) .....	unclip or remove after slackening the screw (2), put back on.
Electrical connector .....	detach from ASR hydraulic unit (A7/3), attach at. Follow installation note.

Ground, components compartment (5) .....	disconnect, connect.
Hydraulic lines .....	unscrew from, screw on to the ASR hydraulic unit (A7/3) using a 9 x 11 mm double ended flat flare nut ring wrench, 15 Nm.
Hydraulic line "BA" (6) .....	unscrew from, screw on to the ASR hydraulic unit (A7/3) using a 12 x 14 mm double ended flat flare nut ring wrench, 15 Nm.
Mount (10) .....	detach, attach by unscrewing the screw (11).
ASR hydraulic unit (A7/3) .....	remove, install at the rubber mounts.
ASR hydraulics .....	bleed and check for leaks (42-010).
ASR electrics/electronics test program .....	perform (42-0822 or Diagnosis Manual - Chassis)
<b>Models 124.034/036, 129.067/076, 140</b>	
Fault memory .....	readout and erase in accordance with Diagnosis Manual - Chassis.

**Installation note**

Check O-ring on connector piece (9), replace if required.

detach, attach by unscrewing the screw (11).

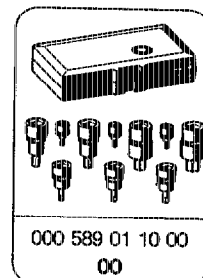
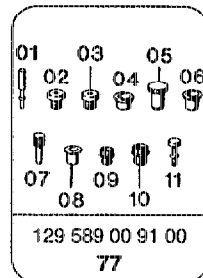
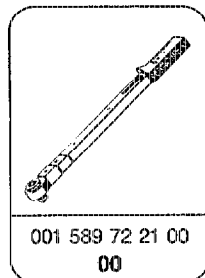
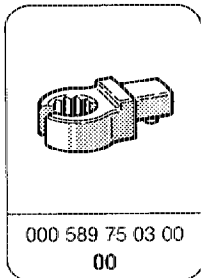
remove, install at the rubber mounts.

bleed and check for leaks (42-010).

perform (42-0822 or Diagnosis Manual - Chassis)

readout and erase in accordance with Diagnosis Manual - Chassis.

**Special tools**



**Note**

Only use commercially available double ended flat flare nut ring wrench to slacken the brake lines.

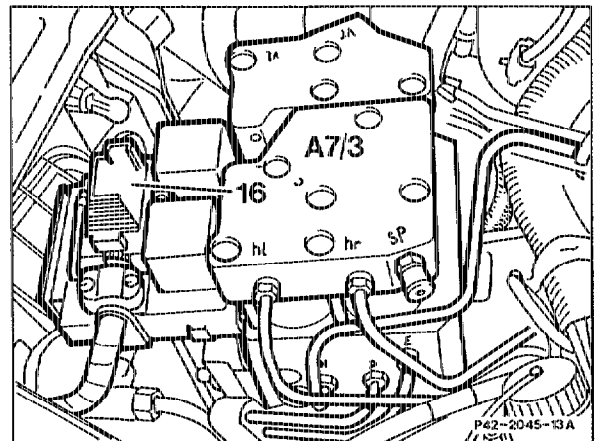
Seal hydraulic lines and connections with blind plugs.

**Installation note**

When installing the hydraulic lines, clean sealing surfaces of swarf and dirt.

**Installation note**

The plug connection (16) must engage audibly when connecting.

**Marking on the ASR hydraulic unit (A7/3)**

- vl Left front wheel brake
- vr Right front wheel brake
- hl Left rear wheel brake
- hr Right rear wheel brake
- H Rear axle tandem master cylinder
- V Front axle tandem master cylinder
- BA Container connection (ASR pressurizing pump)
- P Pump
- E Pressure accumulator input
- SP Bleed screw