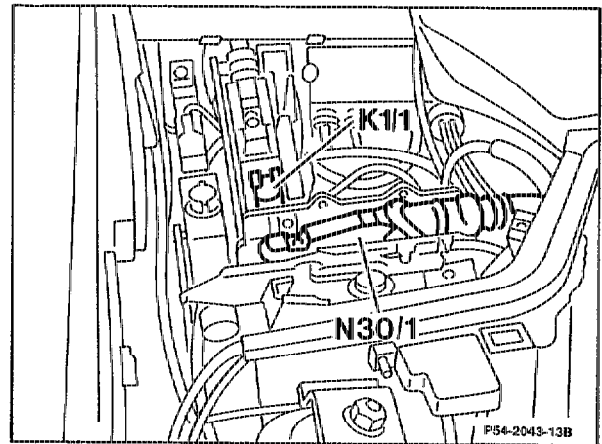
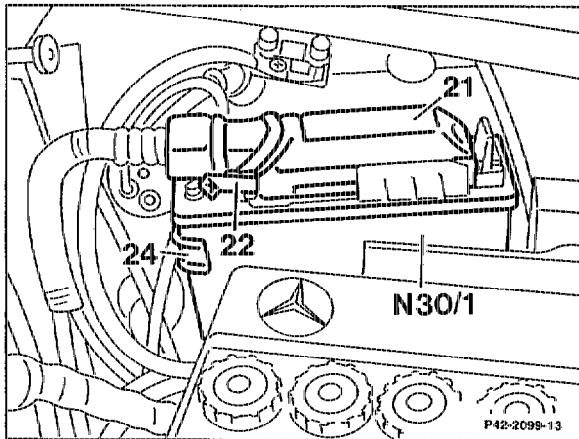


42-0821 Removal and installation of ASR control unit (N30/1)

Operation no. of operation texts and work units or standard texts and flat rates

A. Models 124 and 129 (without models 124.034/036, 129.067/076)



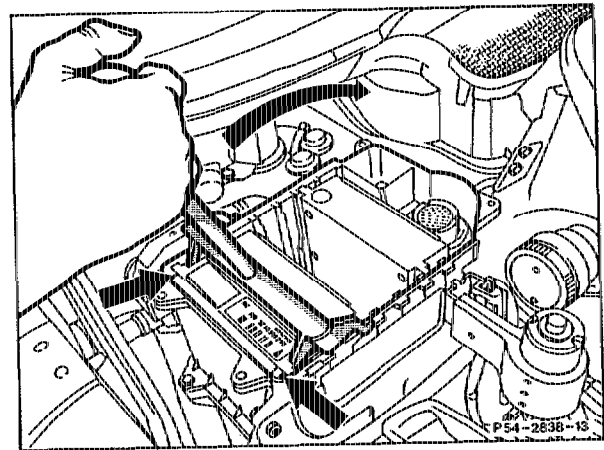
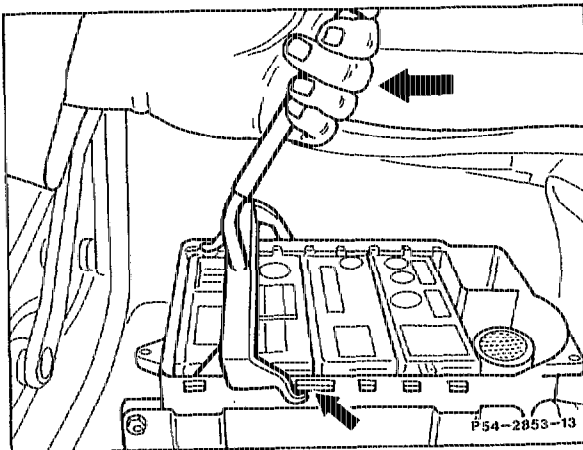
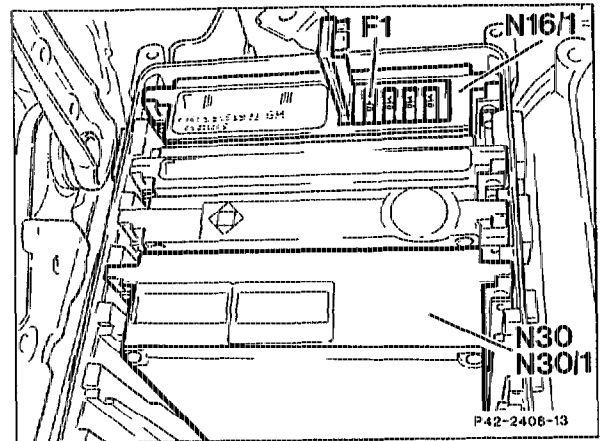
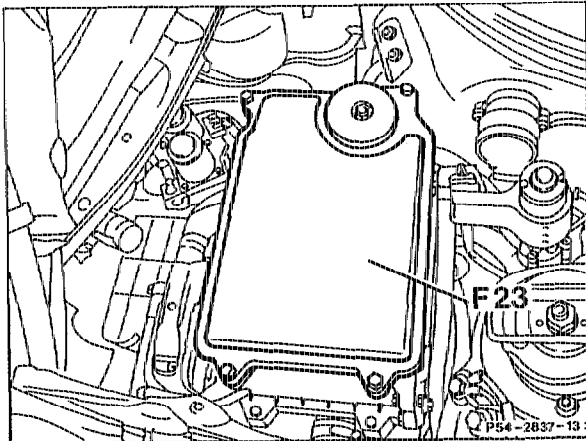
Model 124

Ignition
Cover
ABS/ASR control unit (N30/1)
Test program

Model 129

OFF.
remove, install.
remove from bracket (24), install.
perform (42-0822).

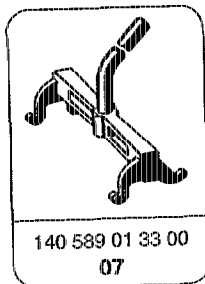
B. Models 124.034/036, 129.067/076 and 140



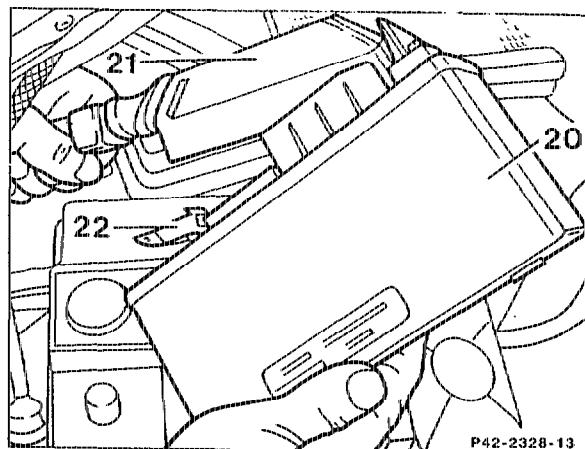
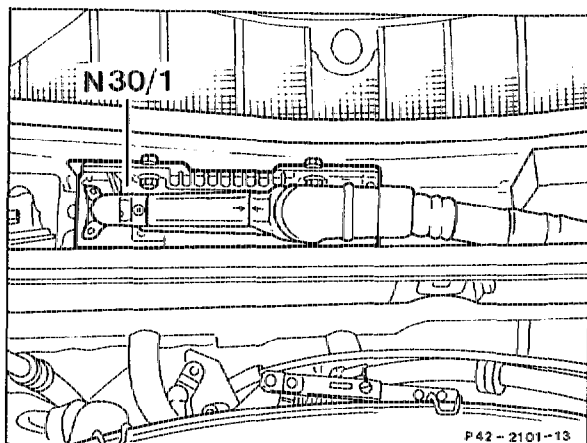
Ignition
 Cover of module box (F23)
 ASR control unit (N30/1)
 Diagnosis - fault memory or test program

OFF.
 remove, install.
 withdraw/press in using special tool
 140 589 01 33 00.
 perform and erase faults (refer to Diagnosis
 Manual - Chassis).

Special tool



C. Model 126

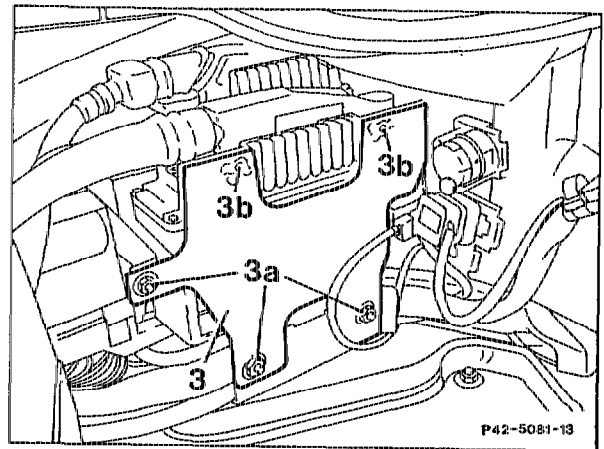
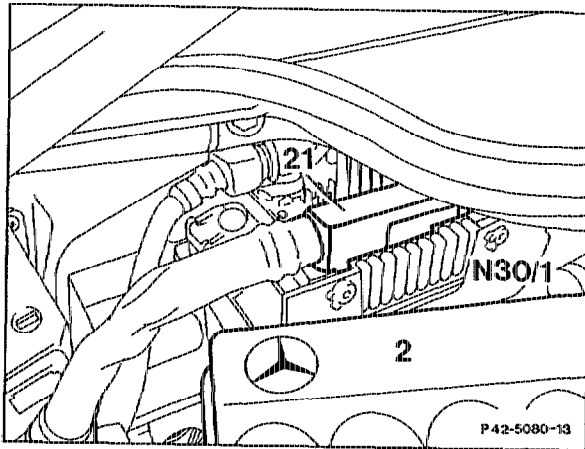


- Ignition
- Locking device (22)

- ASR control unit (N30/1)
- Test program

OFF.
 operate and detach plug (21) from ASR control unit (N30/1).
 If the plug (21) is plugged into the ASR control unit (N30/1), ensure that it engages audibly in the locking device (22).
 remove from bracket, install.
 perform (42-0822).

D. Model 201



Ignition	
Battery (2)	
Locking device	
Screws (3a)	
ASR control unit (N30/1) with fixing plate (3)	
Fixing screws (3b)	
ASR control unit (N30/1)	
Test program	

OFF.

remove, install.

operate and disconnect plug (21) from ASR control unit (N30/1)

If the plug (21) is plugged into the ASR control unit (N30/1), ensure that it engages audibly in the locking device.

unscrew, screw in.

remove, install.

unscrew, screw in.

remove from fixing plate (3), attach.

perform (42-0822).