

46-0001 Survey of steering gears

Model	Power steering gears	Arrangement	Pitman arm ¹⁾ new (old)	Steering gear ratio in center position
124.004/007/008/ 026/027/028/029/ 030/031/032/06/088/09/ 104/105/106/107/125/126/127/ 128/129/13/185/186/188/19 Sports suspension 124.05	765.904	LHD	2419 (2408) ²⁾	13,9
		RHD	2420 (2409) ²⁾	
124.003/019/020/021/022/023/ 079/080/081/082/083/120/180 Sports suspension 124.04	765.905	LHD	2428 (2406) ²⁾	13,9
		RHD	2429 (2412) ²⁾	
124.22/23/29/ 33/39	765.906	LHD	2414	13,9
		RHD	2418	
124.04/05	765.908	LHD	2419 (2408) ²⁾	14,6
		RHD	2420 (2409) ²⁾	
124.034/036	765.921	LHD	2430	14,0
Sports suspension 124.026/028/030/031/032/06/125/126/128/128/13	765.928	LHD	2419 white	13,3
		RHD	2420 white	
Sports suspension 124.019/020/021/022/023/120	765.929	LHD	2428 blue	13,3
		RHD	2429 blue	
129	765.907	LHD	2912	14,0
		RHD	2913	
129.076	765.925	RHD	2913	14,0
140	765.940	LHD	4006	13,0
		RHD	4007	
140.03 up to 12/91	765.941	LHD	4006	13,0
		RHD	4007	
140 Special protection	765.961	LHD	4006	13,5

¹⁾ The pitman arm together with the steering gear forms a unit and is therefore not available as a part.

²⁾ As of 1.6.89 the cars are fitted with a modified steering geometry. The cone in the pitman arm and steering idler arm has been enlarged by 2 mm.

Model	Servo steering gear	Arrangement	Pitman arm ³⁾	Steering gear ratio in center position
201.022 ¹⁾ ²⁾ /024 ¹⁾ ²⁾ /122 ¹⁾ ²⁾	760.700	LHD	0115	18,9 mechanical
		RHD	0116	
201.022 ¹⁾ /024 ¹⁾ /122 ¹⁾	765.900	LHD	0115	14,6
		RHD	0116	
201.034/035 ⁴⁾	765.902	LHD	0115	13,3
		RHD	0116	
201.022 ²⁾ /023/024 ²⁾ ⁴⁾ ⁵⁾ /028 ⁴⁾ /029 ⁴⁾ / 122 ²⁾ ⁴⁾ /126 ⁴⁾ /128 ⁴⁾	765.903	LHD	0115	14,6
		RHD	0116	
201.035 ⁶⁾	765.923	LHD	0115	13,3
		RHD	0116	
201.018/02 ⁶⁾ /12 ⁶⁾	765.924	LHD	0115	14,6
		RHD	0116	
201.036 Evo I / Evo II	765.926	LHD	0115 blue identification	13,3
Sports chassis 201.018/02 ⁶⁾ /12 ⁶⁾	765.927	LHD	0115 pink	13,9
		RHD	0116 pink	
202	765.950	LHD	0203	13,9
		RHD	0204	
Sports chassis 202	765.922	LHD	0203	13,3
		RHD	0204	

¹⁾ up to vehicle ident. end no. A084 024 (with tensioning bush)

²⁾ as of vehicle ident. end no. A084 025 (without tensioning bush)

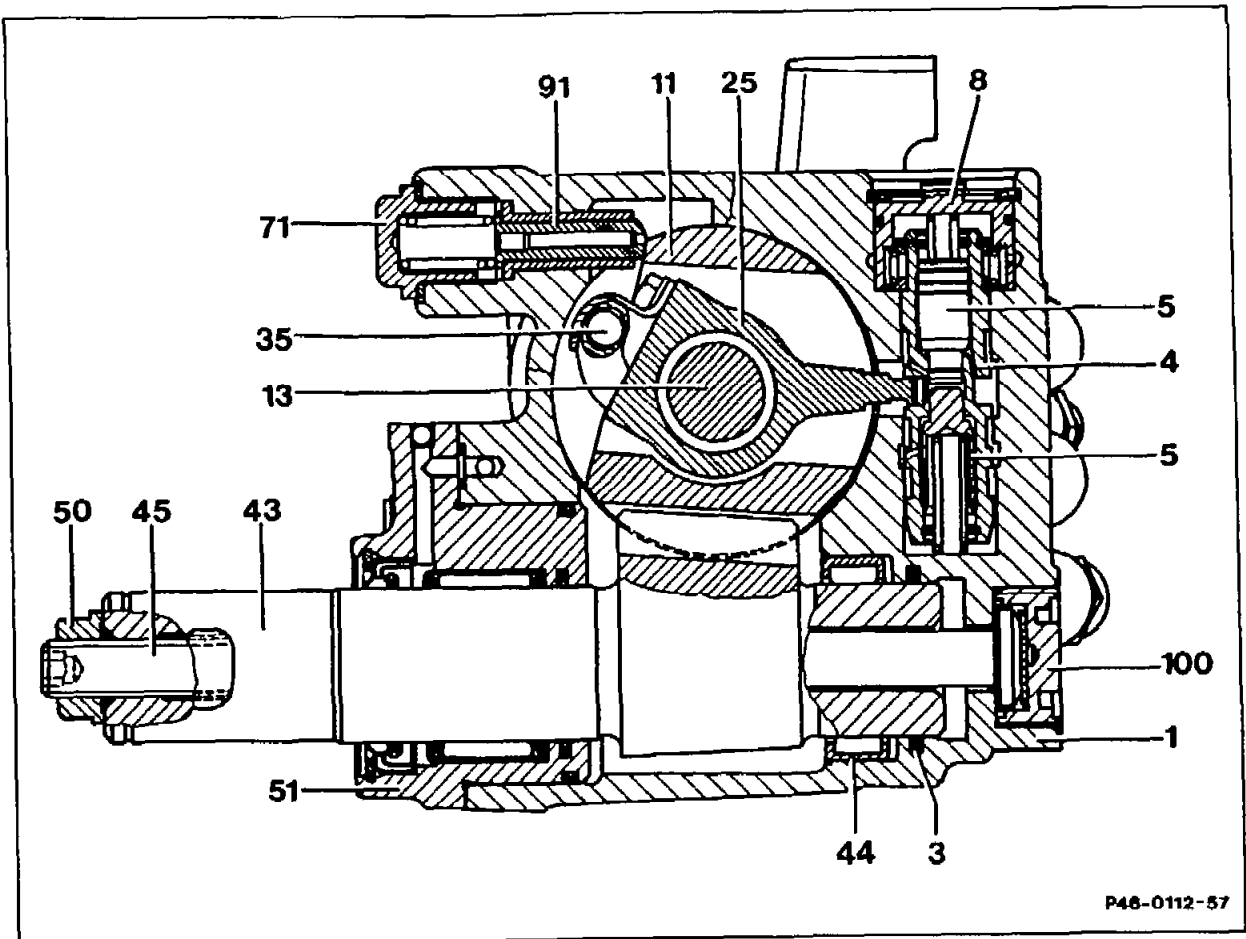
³⁾ The pitman arm together with the steering gear forms a unit and is therefore not available as a part.

⁴⁾ Steering gears with alu-housing up to 5/91

⁵⁾ Japan only with alu-housing

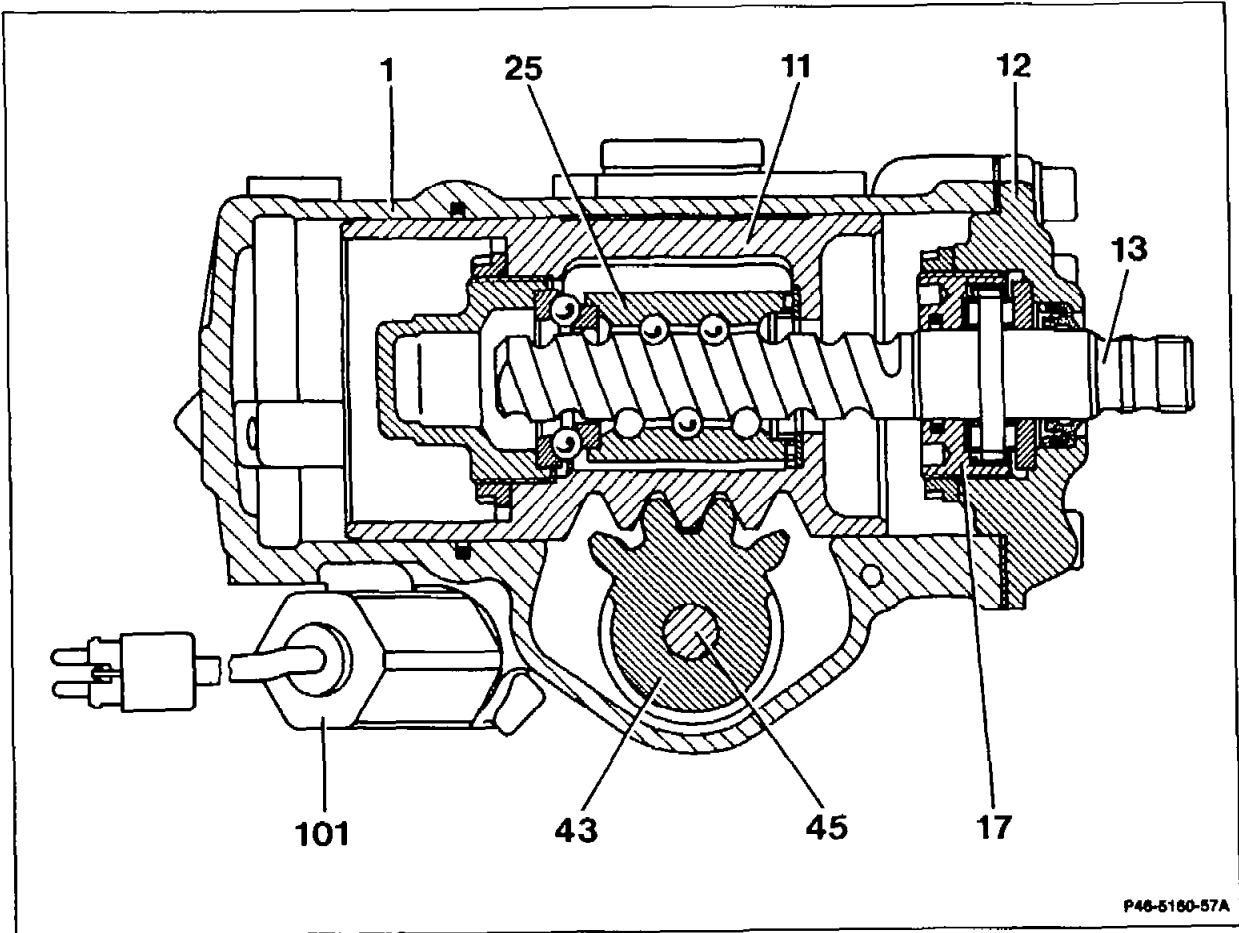
⁶⁾ Steering gears with nodular graphite iron housing phased in as of approx. 5/91, previously alu-housing.

Steering gear



P46-0112-57

1	Steering gear housing	43	Pitman arm shaft
3	O-ring	44	Needle sleeve
4	Control valve	45	Adjusting screw
5	Reaction piston	50	Collar nut
8	End cover	51	Pitman arm shaft bearing cover
11	Power piston	71	Screw plug
13	Steering shaft	91	Automatic clearance compensator
25	Steering nut	100	Screw plug
35	Ball		



P46-5160-57A

- | | | | |
|----|-----------------------|-----|----------------------------------|
| 1 | Steering gear housing | 25 | Steering nut |
| 11 | Power piston | 43 | Pitman arm shaft |
| 12 | Upper bearing cover | 45 | Adjusting screw |
| 13 | Steering shaft | 101 | Parameter steering (PML) P-valve |
| 17 | Bearing insert | | |