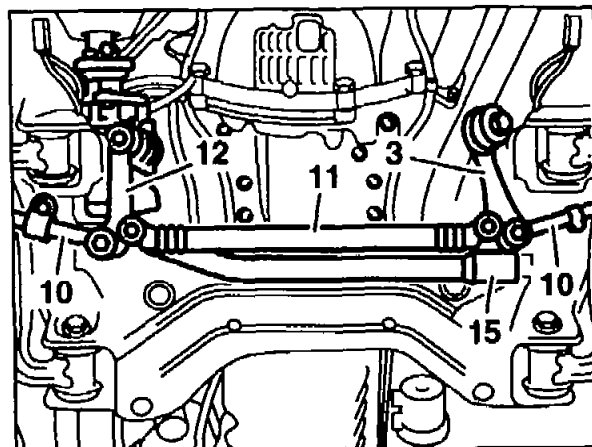
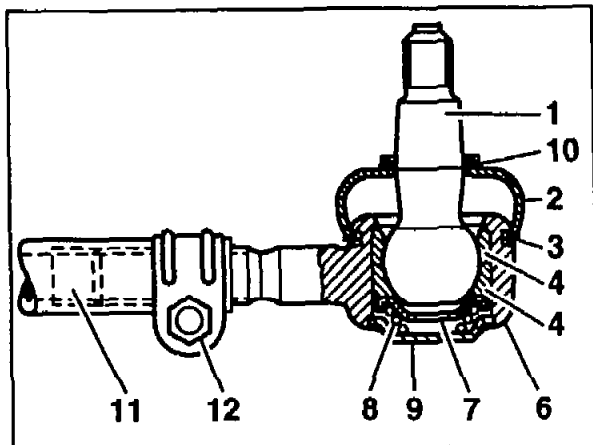


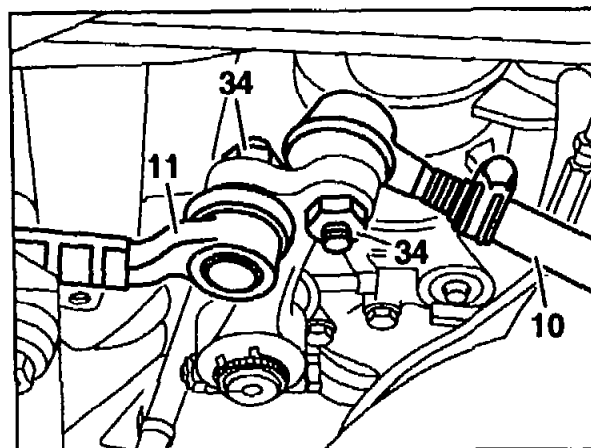
P46-5402-13



P46-2034-13A



P33-0002-13



P46-2259-13

Steering wheel (32)

Check play.

Vehicle must be standing on wheels. When the engine is switched off, the maximum play (a) must be 25 mm at the steering wheel rim in the steering center position.

Drag link (11) and tie rods (10)

Check play as follows:

- Turn steering wheel rim evenly approx. 100 mm anti-clockwise and clockwise. With the help of an assistant, check tie rod ball joints and drag link ball joints; there must not be any detectable play or,

- Check for play at the tie rod ball joints and drag link ball joints by vigorously pulling and pushing them and at the same time by touch.

Check cup seals for damage and replace drag link (11) or ball joints of the tie rods (10), if necessary (46-6177 or 46-7007).

Steering idler arm mount (26)	Check, replace if necessary (46-6317).
Wheel bearing play	Check, replace if necessary (33-0300).
Steering gear	Check play, adjust if necessary (46-3230).

Note

The play compensator in the steering gear only works with the steering in the straight-ahead position.