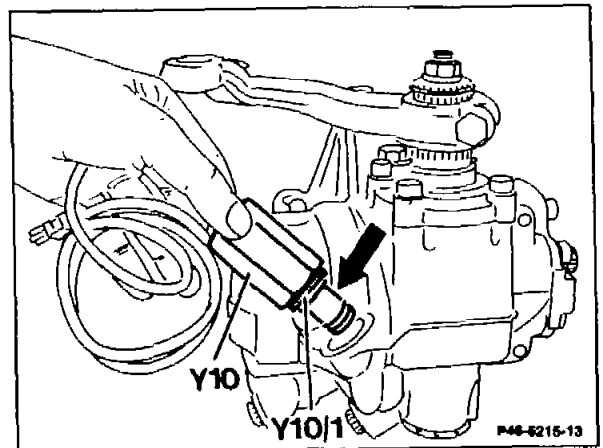
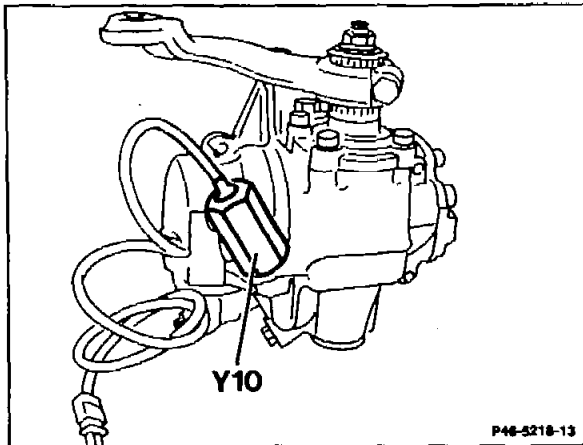


46-0231 Removing and installing parameter steering (PML) P-valve (Y10)

Preceding work:
Removing and installing steering gear (46-3400)



P-valve (Y10)

unscrew, screw on, 70 Nm.
Ensure absolute cleanliness,
replace seal (Y10/1).