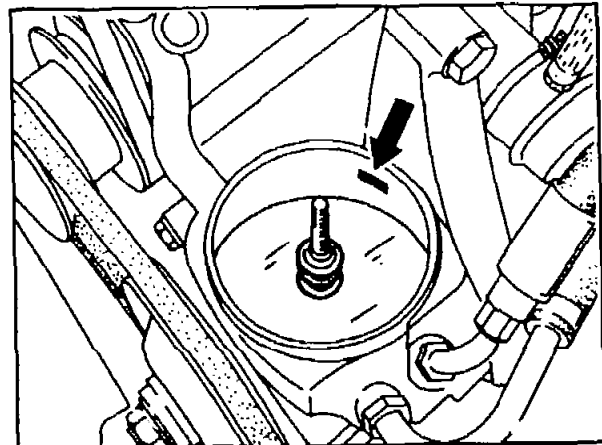


• **Filling**

Before starting the engine, fill the supply tank with the specified steering gear oil up to approx. 10 mm below the upper edge.



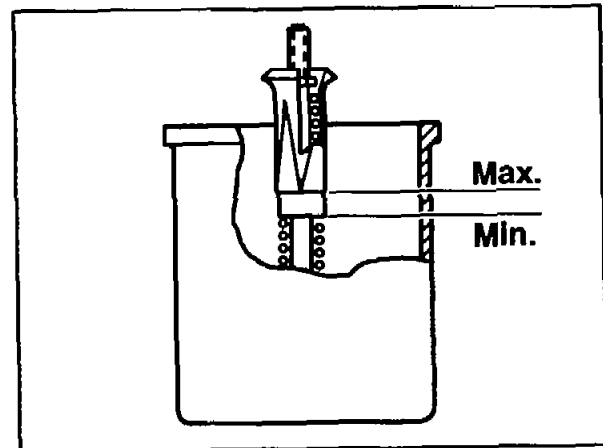
P46-5383-13

**Model 201 up to 09/84**  
 Oil level at approx. 20°C  
 6-8 mm below the marking (arrow)  
 When the oil is at operating temperature (approx. 80°C),  
 correct oil level up to the marking (arrow)

• **Bleeding**

Start/switch off the engine 2 or 3 times after approx. 1 second, replenishing oil in the meantime.

**Under no circumstances** must the power steering pump draw in air. To completely bleed the system, turn the steering from lock to lock fully several times.

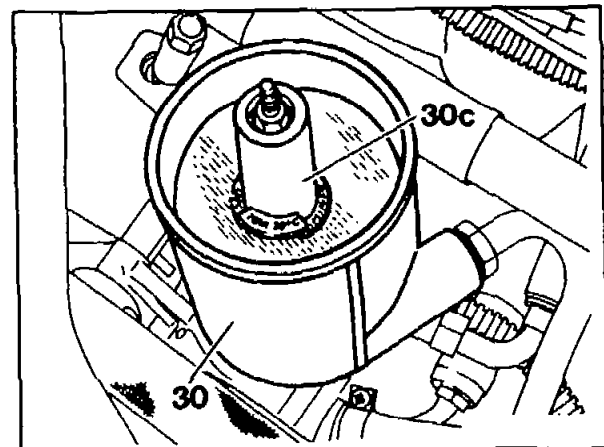


P46-0019-13

**Models 124 and 201 up to 01.91**  
 Fill between the min. and max. marking at an oil temperature  
 of 20-50°C.

• **Leak testing**

Check system for leaks. If the fluid level is too low, establish cause and eliminate. A light oil film on the radial sealing ring or on the housing contact face is due to the design.



P46-5021-13

• **On vehicles with tandem pump**

Bleed the system separately in each case

**Models 124 and 201 as of 02/91**  
 Oil level on the oil level indicator (30c) at approx. 20°C

**Types of oil/filling quantities**

Steering gear oil

refer to Specifications for Service Products,  
 sheet 236.3  
 Part no. 000 989 88 03