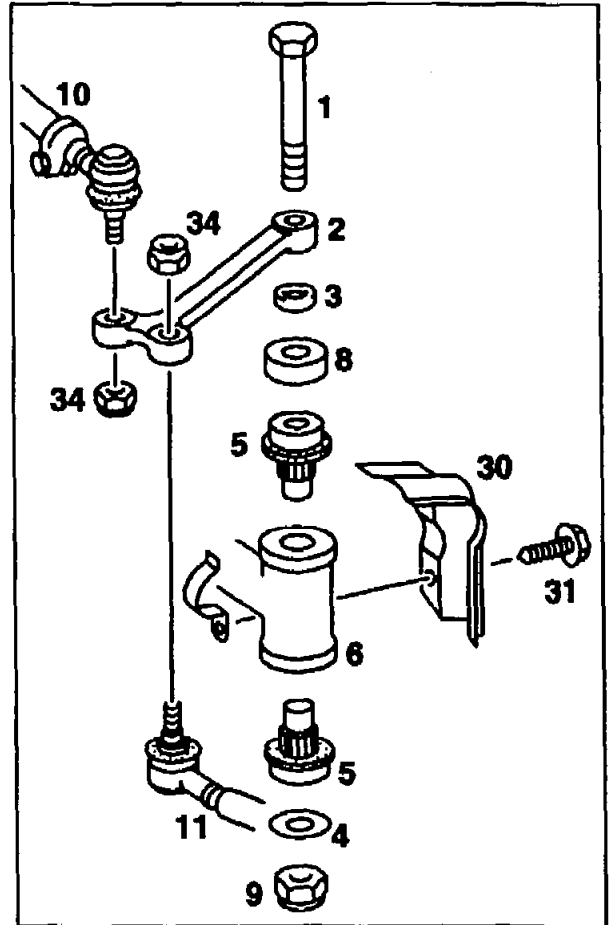


46-6317 Removing and installing steering idler arm, replacing plain rubber mount

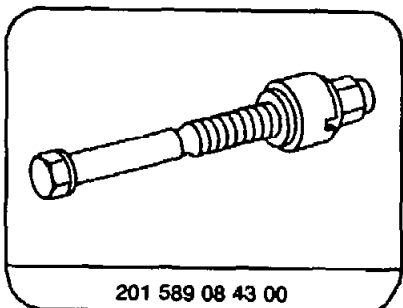
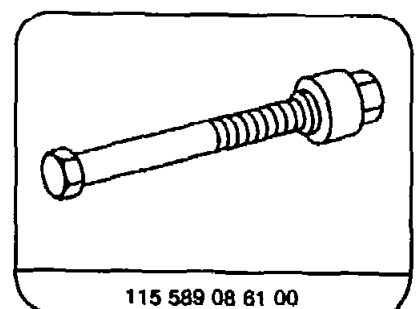
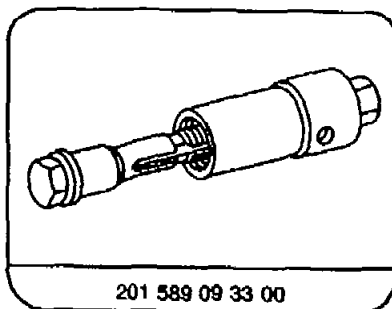
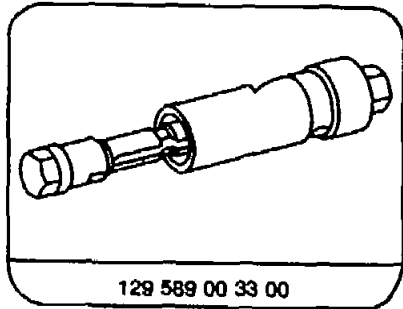


P46-0051-17

Tie rod (10)	Remove, install (46-7007), replace nut (34).
Drag link (11)	Remove, install (46-6177). Replace nut (34).
Heat shield (30)	With bolt (31) Remove, install.
Self-locking nut (9)	Unscrew, screw on and replace, remove sealing washer (4).
	Model 124 150 Nm
	Model 201 110 Nm

- Bolt (1) Withdraw. Remove steering idler arm (2), spacer (3) and dust cap (8).
- Plain rubber mount (5) Replace.
 Extractor 129 589 00 33 00 or
 201 589 09 33 00.
 Use pressing-in tool 115 589 08 61 00 or
 201 589 08 43 00.

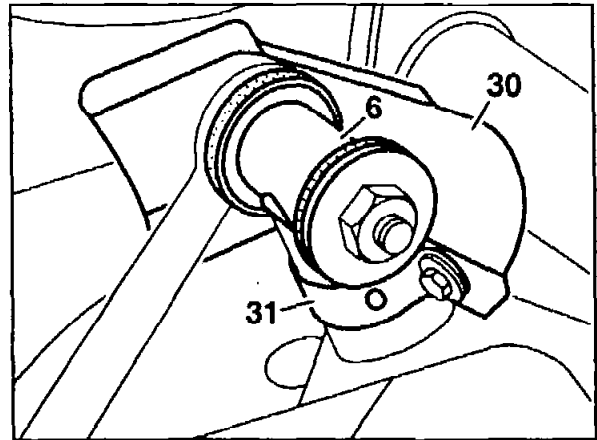
Special tools



Removal, Installation

- 1 Detach tie rod at steering idler arm (46-7007).
- 2 Detach drag link at steering idler arm (46-6177).

3 Remove, install heat shield (30).



P46-2269-13

4 Unscrew nut from bolt (1), remove sealing washer (4).

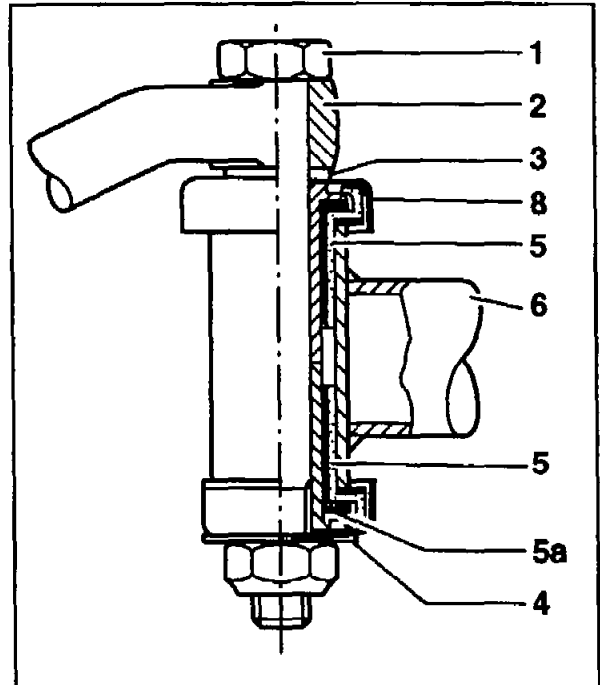
Installation note

Replace self-locking nut

Model 124	150 Nm
Model 124 4Matic	180 Nm
Model 201	110 Nm

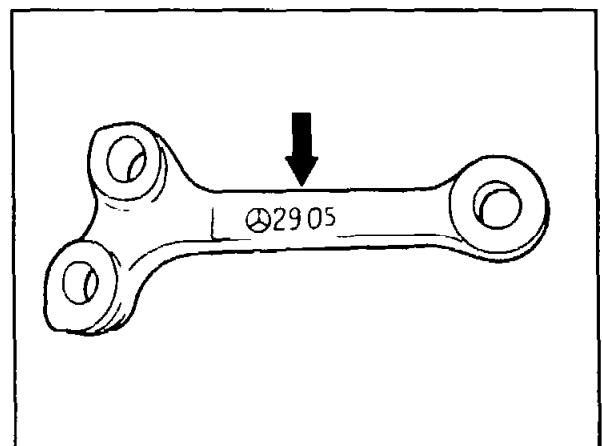
5 Withdraw bolt (1) and remove steering idler arm (2), spacer (3) and dust cap (8).

- 5 Plain rubber mount
- 5a Side bushing
- 6 Idler lever mount



P46-0048-15

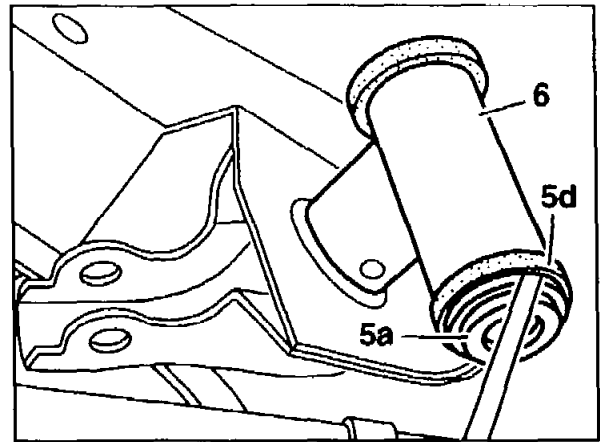
6 The steering idler arm cannot be checked. The steering idler arm is to be replaced in cases of doubt. Note identification number (arrow) (46-0003).



P46-2067-13

Replacement of plain rubber mount

7 Lift sealing lip (5d) and remove slide bushing (5a) from the rubber mount.



P46-2389-13

8 Using the extractor (061), remove both plain rubber mounts from the idler lever mount (6).

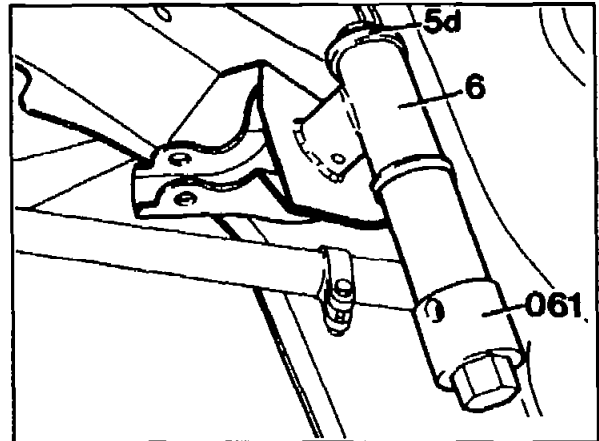
Extractor (061)

Model 124

129 589 00 33 00,

Model 201

201 589 09 23 00.



P46-2391-13

Installation note

Using the press-in tool (062), press the plain rubber mount (5) into the idler lever mount (6).

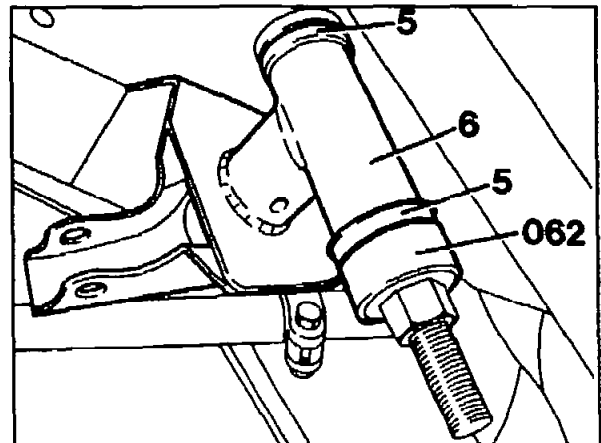
Pressing-in tool (062)

Model 124

115 589 08 61 00

Model 201

201 589 09 33 00



P46-5558-13