

P46-0103-57

Self-locking nut (34)

Unscrew, screw on and replace.

M10x1 35 Nm

M12x1 50 Nm

Tie rod (10)

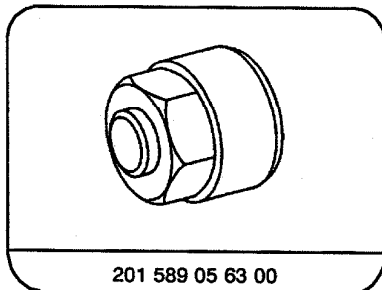
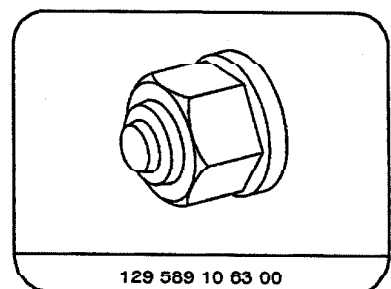
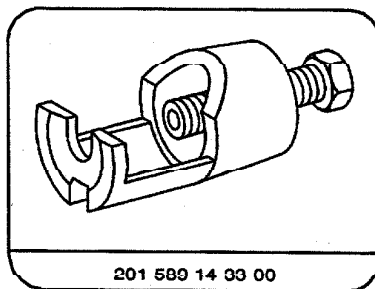
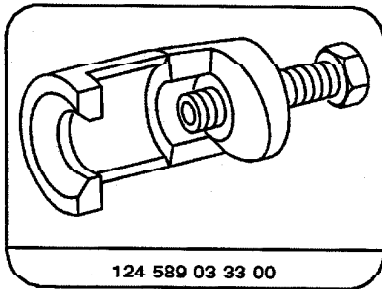
Screw on, unscrew thrust piece (045)

201 589 05 63 00 or 129 589 10 63 00 and press off using puller (065) 124 589 03 33 00 or 201 589 14 33 00.

When installing, clean grease off tapered connection and push drag link securely into the steering arm.

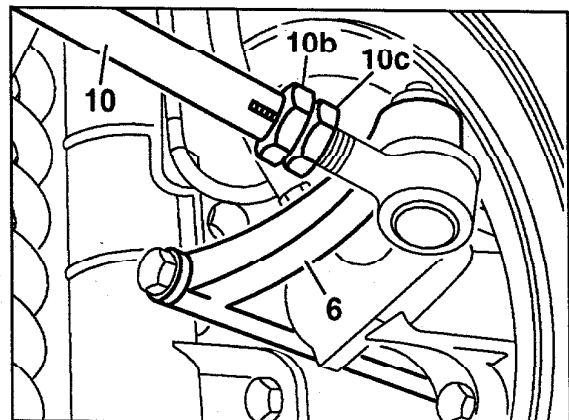
- Joint of tie rod (10) If there is play or the rubber boot is damaged, replace tie rod. If the rubber boot was damaged when the tie rod was removed, replace rubber boot (46-7202).
- Installed position of tie rod Observe, refer to notes.
- Tow-in Adjust (40-0323).

Special tools



Notes

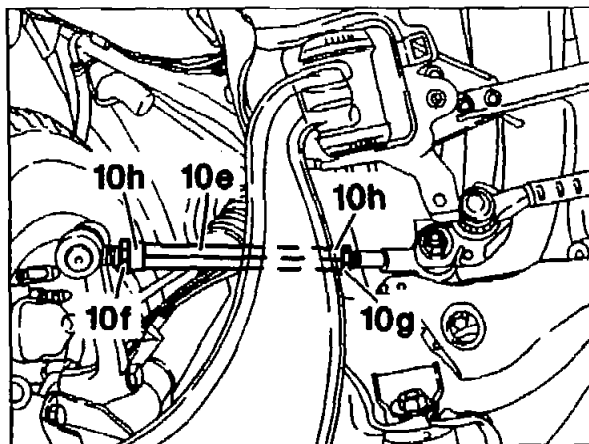
The ball joint secured with the tapered clamping ring (10b, 10c) must be fixed to the steering control arm (6) on the steering knuckle side.



P46-2272-13

Model 124.034/036

When installing the left tie rod, ensure that the short ball housing pivot is secured to the steering control arm.



P48-2813-13