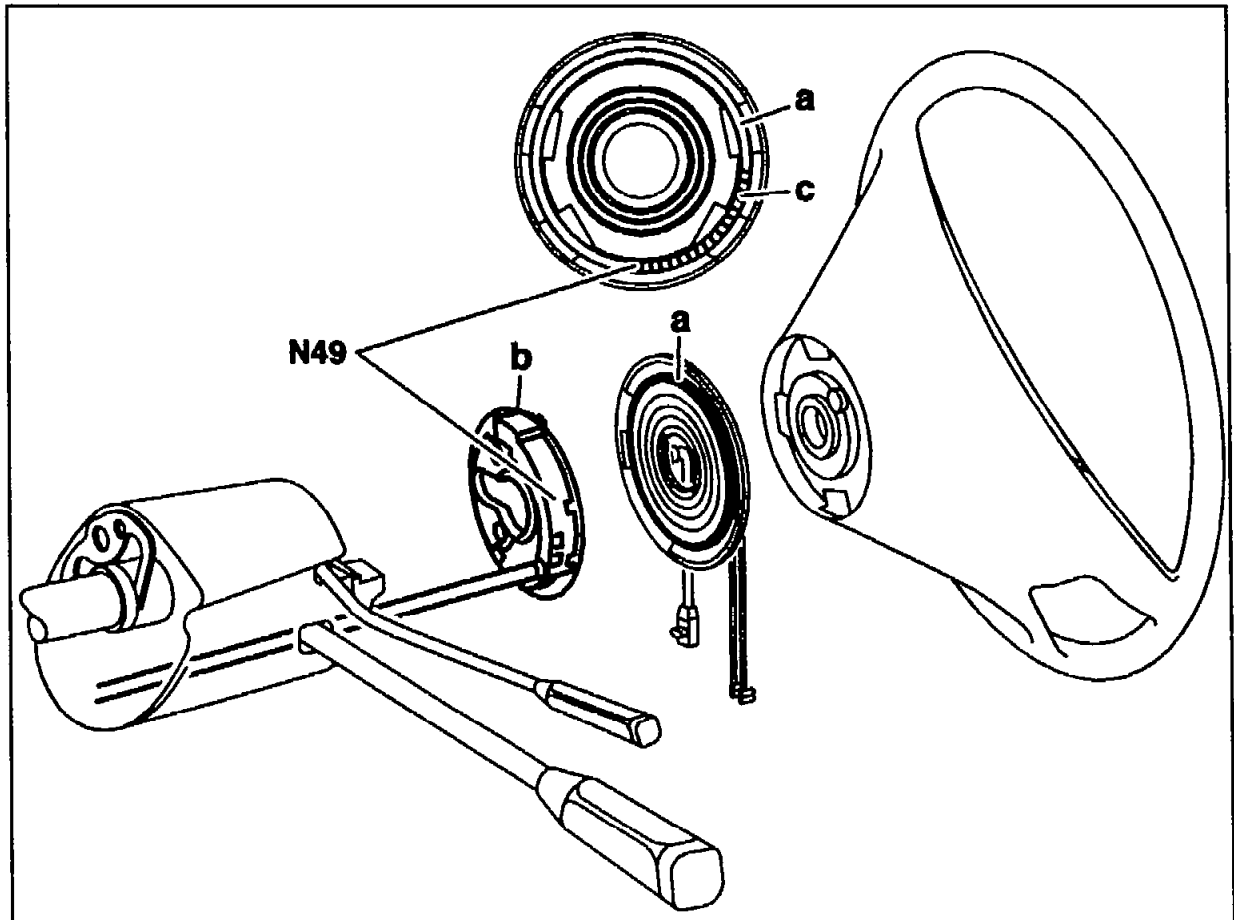


## 46-8310 Removing and Installing steering angle sensor (N49)

Preceding work:

Steering wheel removed (46-8240).

Remove contact spiral, vehicles as of 02/93 (46-8300).



P32-0107-57

- |  |  |
|--|--|
| <p>The wiper contacts with magnets (a) .....</p> | <p>are screwed to the steering wheel. 72 magnets (c) are located behind the plastic slip ring (outermost ring). Pay attention to these magnets when replacing the steering wheel on vehicles with 4MATIC.</p>              |
| <p>Hall sensor (b) .....</p>                     | <p>Unscrew from jacket tube. Disconnect connector, steering angle sensor (N49x1) and airbag on connector and expose cables. Remove hall sensor and unscrew airbag carbon brushes from the hall sensor retaining plate.</p> |
| <p>Steering angle sensor .....</p>               | <p>Reactivate after installation.</p>  |