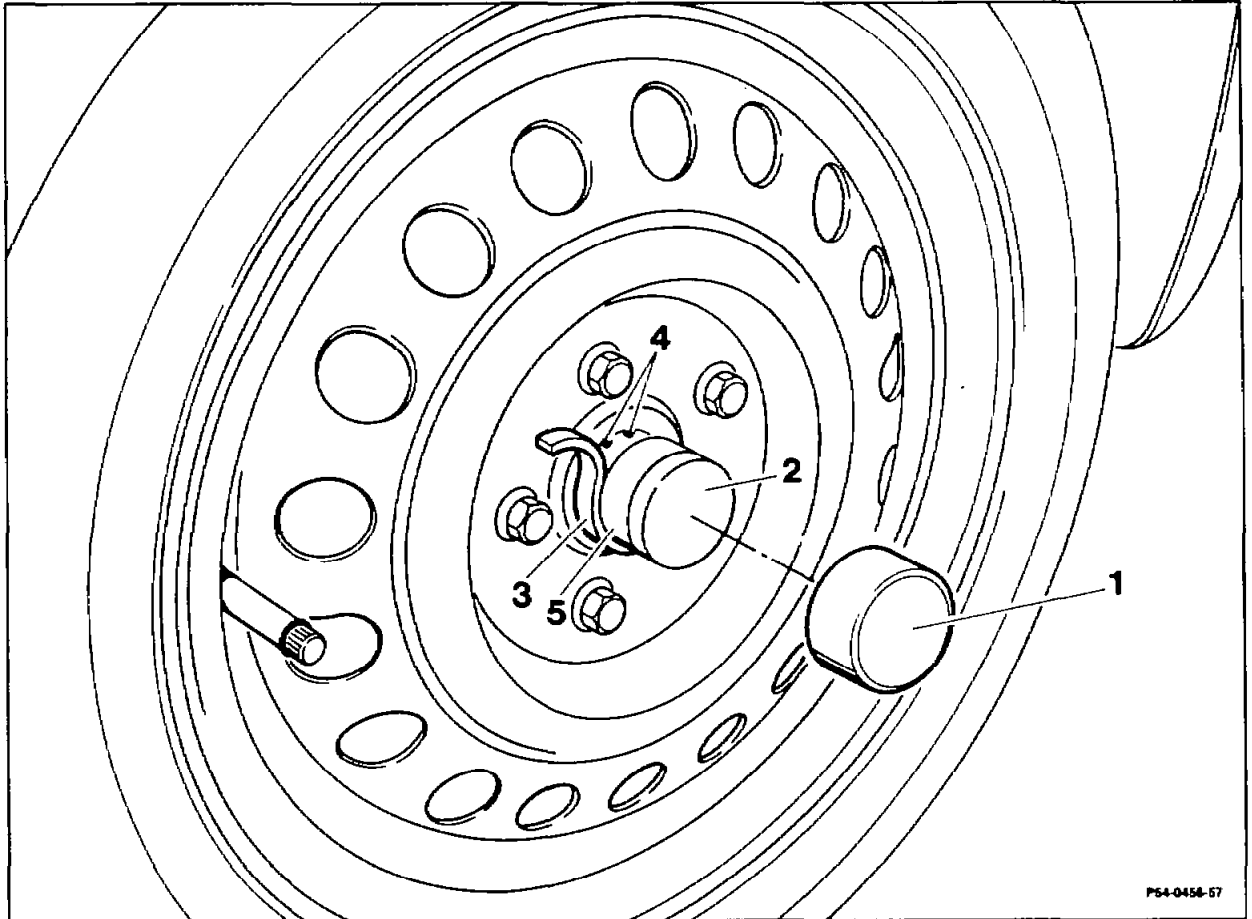


54-0246 Removing and installing odometer (S) (bls 03/93) fehit

Operation no. of operation texts and work units or standard texts and flat rates:



P54-0456-57

Protective cap (1) and cover (2) take off (steps 1-2).

Note

The reading of the distance can be taken using the socket wrench in the protective cap. The socket wrench is fitted in the glovebox with effect from 05/89.

Lead strap (3) cut open and pull off with pliers (step 3).

Welding points (4) flatten off with a file and drill open approx. 6 mm deep with a 3 mm dia. drill (steps 4-5).

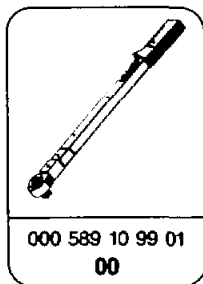
Odometer (5) turn to right with insertion tool until the welding points shear off (step 6).

Holder for odometer	remove (step 7).
New holder	insert, tighten twelve-sided hexagon socket screw with torque wrench 000 589 10 99 01, 20 ± 5 Nm (step 8).
Odometer (5)	install, 20 ± 5 Nm. Secure with 6 welding points (steps 9–10).
Lead strap (3)	attach and stamp.
Cover (2) and protective cap (1)	fit on.

Note

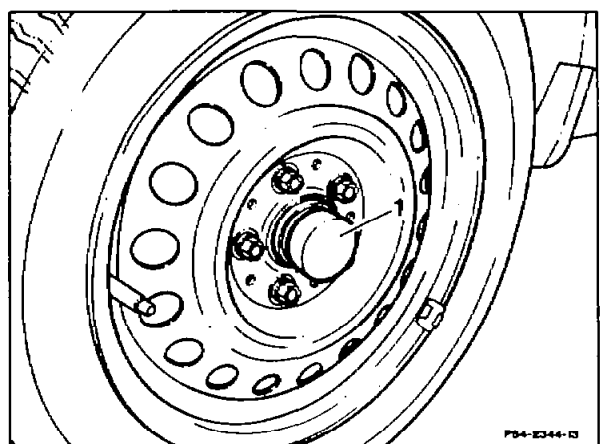
The odometer is fitted for tax calculation purposes on vehicles with diesel engines.

Special tool

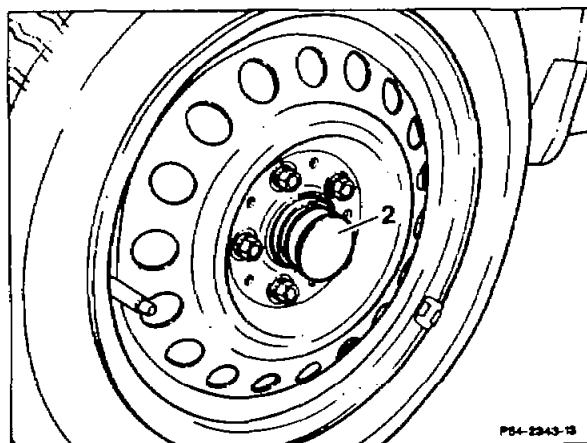


Note

An odometer is fitted to the rear right wheel hub of vehicles with diesel engines in place of the stamp counter.



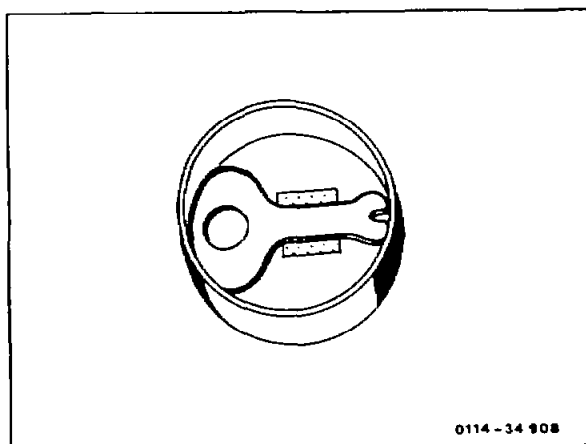
1 To take the reading of the distance travelled, remove the protective cap in the cover (2).



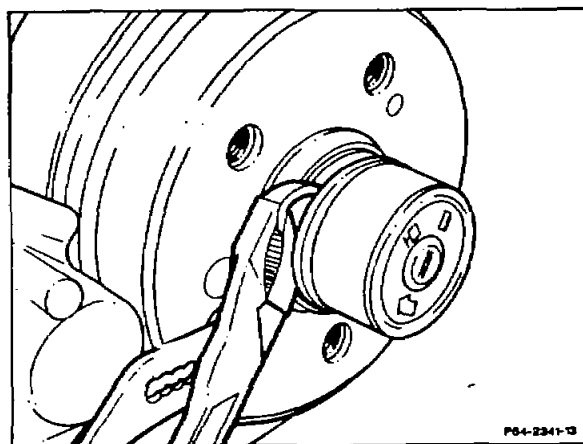
2 The reading of the distance can be taken using the wrench in the protective cap.

Note

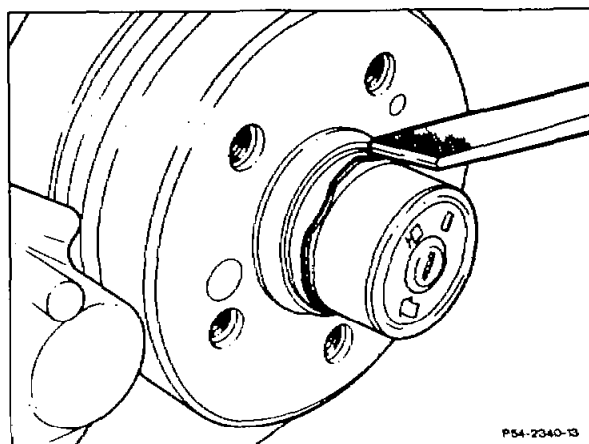
The wrench is installed in the glovebox with effect from 05/89.



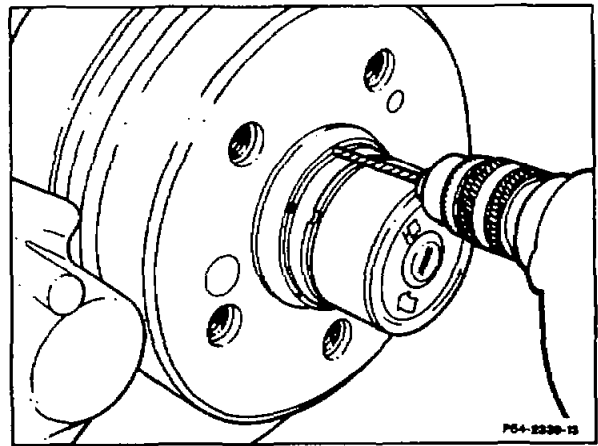
3 Cut open lead strap, e. g. with a screwdriver. Pull lead strap off with pliers.



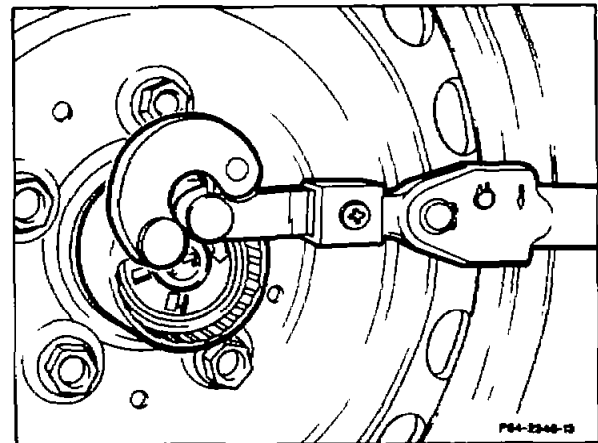
4 Flatten the outer edge with a file or milling cutter in order to drill open the 6 welding points.



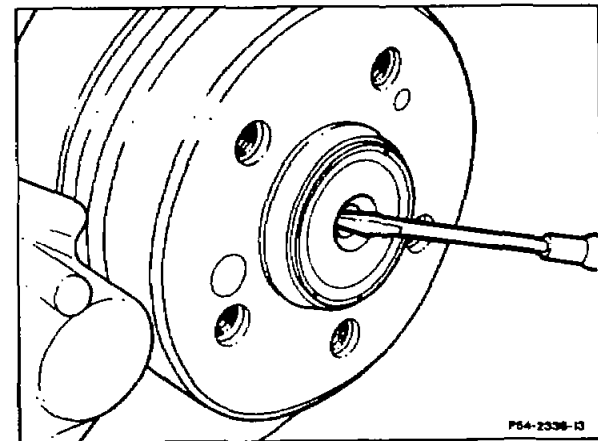
5 Drill open the 6 welding points approx. 6 mm deep with a 3 mm dia. drill.



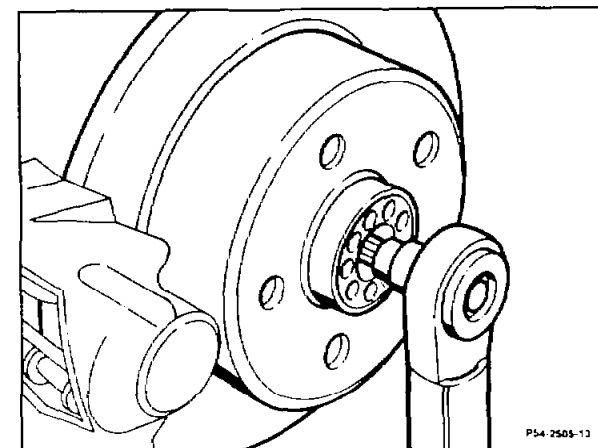
6 Turn odometer to the right with insertion tool until the welding points shear off.



7 Remove holder for odometer. To do this, slacken twelve-sided socket screw and take out holder.

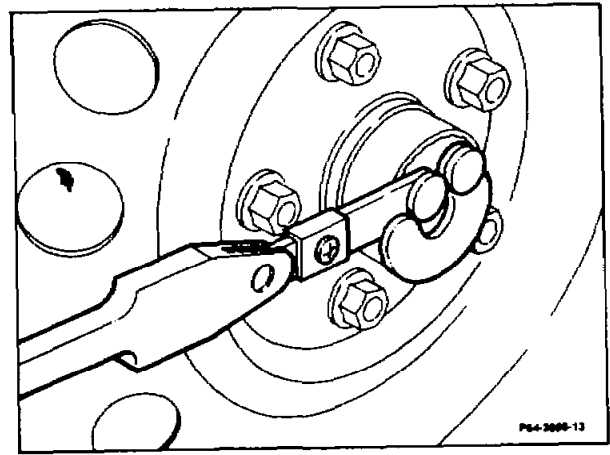


8 Insert new holder and tighten twelve-sided socket screw to 20 ± 5 Nm.



9 Tighten odometer to 20 ± 5 Nm with fitting tool.

10 Make 6 welding points for securing the odometer.



11 Fit on lead strap and stamp.

12 Fit on cover and protective cap.