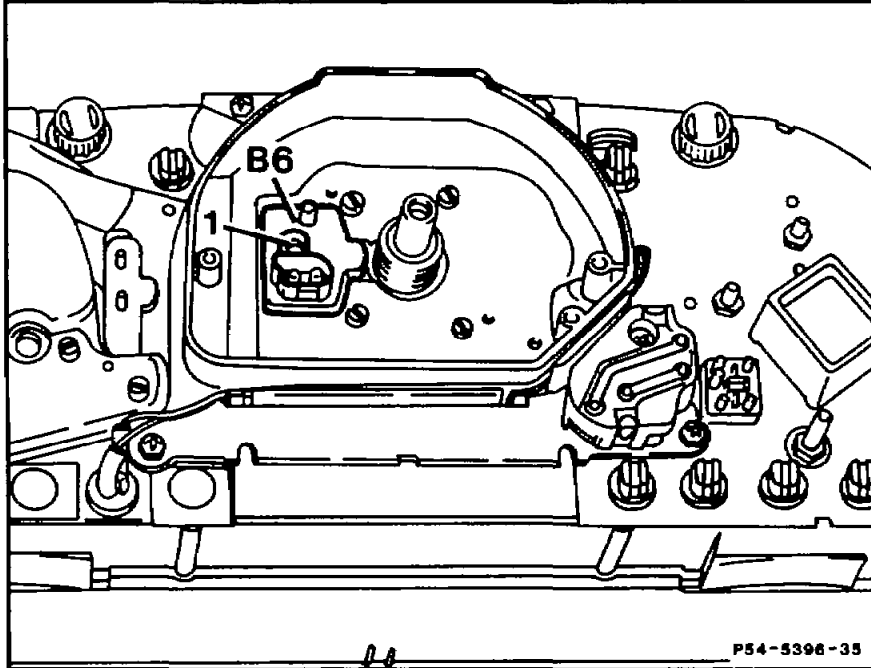


54-0248 Hall sensor, road speed signal with mechanical/electronic speedometer

Preceding work:
Instrument cluster removed (54-6015).

Operation no. of operation texts and work units or standard texts and flat rates:

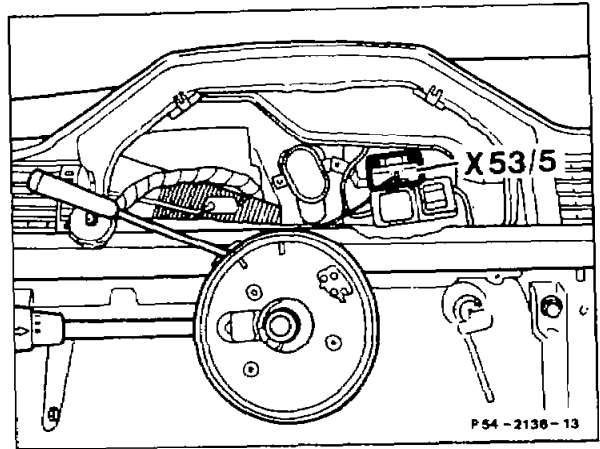
A. Removal, Installation



Securing screw (1)	remove, insert.
Hall sensor (B6)	take off, insert.

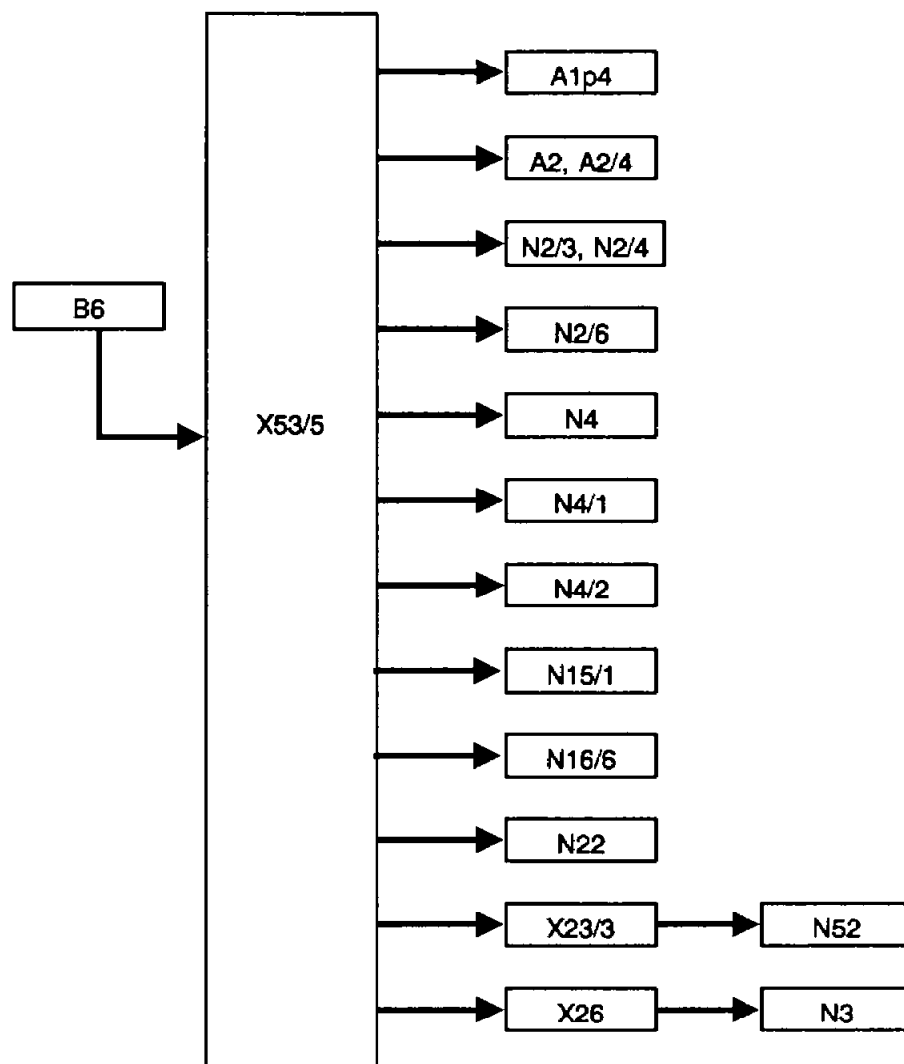
Note



If multiple use is made of the road speed signal, a multiple pin connection/Hall sensor X53/5 is installed.



X53/5 Multiple pin connection/Hall sensor

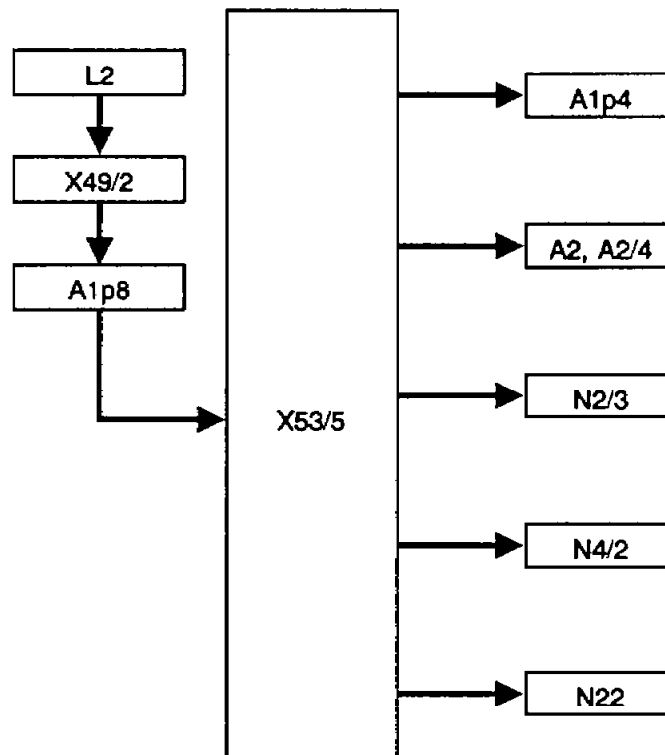
B. Block diagram of road speed signal with mechanical speedometer



A1p4 Outside temperature indicator
 A2 Radio
 A2/4 Radio control unit
 B6 Hall-effect speed sensor
 N2/3 Seat belt warning control unit 
 N2/4 Seat belt warning control unit 
 N2/6 Parking brake warning module
 N3 KE control unit
 N4 Tempomat cruise control (TPM) amplifier
 N4/1 Electronic accelerator pedal (EFP)/Tempomat
 N4/2 cruise control (TPM)/idle speed control (LLR)
 control unit

N4/2 Tempomat/cruise control (TPM) control unit with
 reference resistor
 N15/1 5-speed automatic transmission control unit
 N16/6 Fuel pump relay with kick-down and compressor
 cut-out
 N22 Automatic climate control (KLA) pushbutton
 control unit
 N52 Soft top control unit
 X23/3 Plug connection, soft top/interior (14-pin)
 X26 Plug connection, interior/engine
 X53/5 Multi-point plug connection, Hall-effect
 sensor/road speed signal

C. Block diagram of road speed signal with electronic speedometer



A1p4 Outside temperature indicator
 A1p8 Electronic speedometer
 A2 Radio
 A2/4 Radio control part
 L2 Road speed inductive sensor, transmission
 N2/3 Seat belt and road speed warning control unit (SA)
 N2/4 Seat belt and road speed warning control unit (SA)

N4/2 Tempomat cruise control (TPM) control unit with reference resistor
 N22 Automatic climate control (KLA) pushbutton control unit
 X49/2 Plug connection, starter lockout and reversing light switch
 X53/5 Multi-point plug connection, Hall-effect sensor/road speed signal