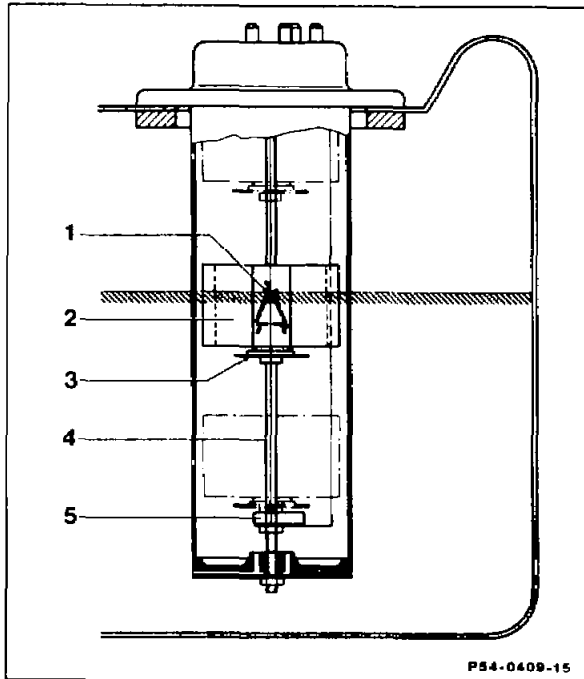


## 54-0256 Function of fuel gauge sensor

Operation no. of operation texts and work units or standard texts and flat rates:



### Fuel gauge sensor

- 1 Wiper contact
- 2 Float
- 3 Contact plate
- 4 Guide and contact rod
- 5 Reserve warning contact

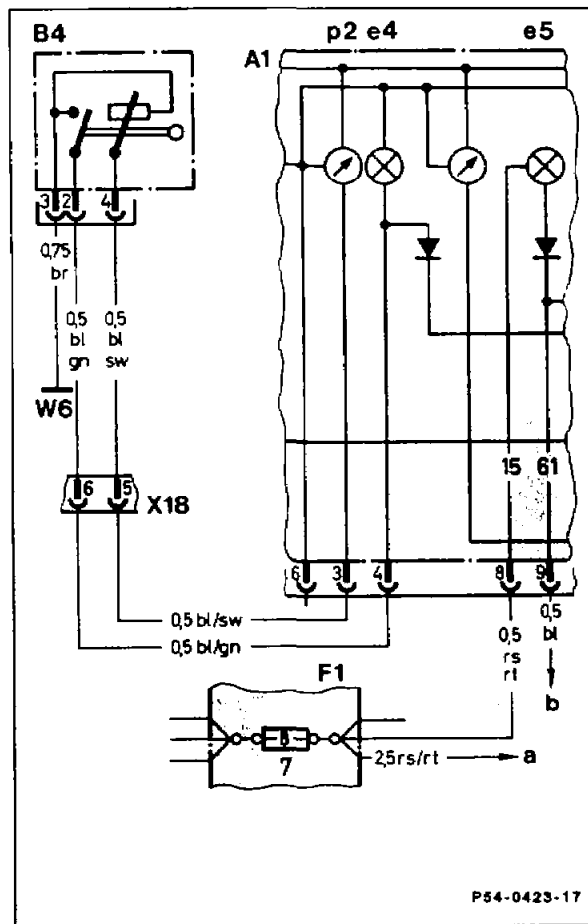
### Electrical function .....

As the fuel level drops, the resistance is increased by the wiper contact (1) at the float (2) of the sensor. The current drops and the needle in the gauge moves back.

As the fuel level drops further, the reserve warning contact (5) in the fuel gauge sensor is closed and this switches ground to the reserve warning lamp.

## Wiring diagram of fuel gauge

- A1 Instrument cluster
- A1e4 Fuel reserve warning lamp
- A1e5 Charge indicator lamp
- A1p2 Fuel gauge
- B4 Fuel gauge sensor
- F1 Fuse and relay box
- W6 Ground, trunk, left wheelhouse
- X18 Plug connection, interior/tailamp harness (8-pin)
- a To ignition starter switch S2/1 terminal 15
- b To lamp failure monitoring unit N7 terminal 61



P54-0423-17