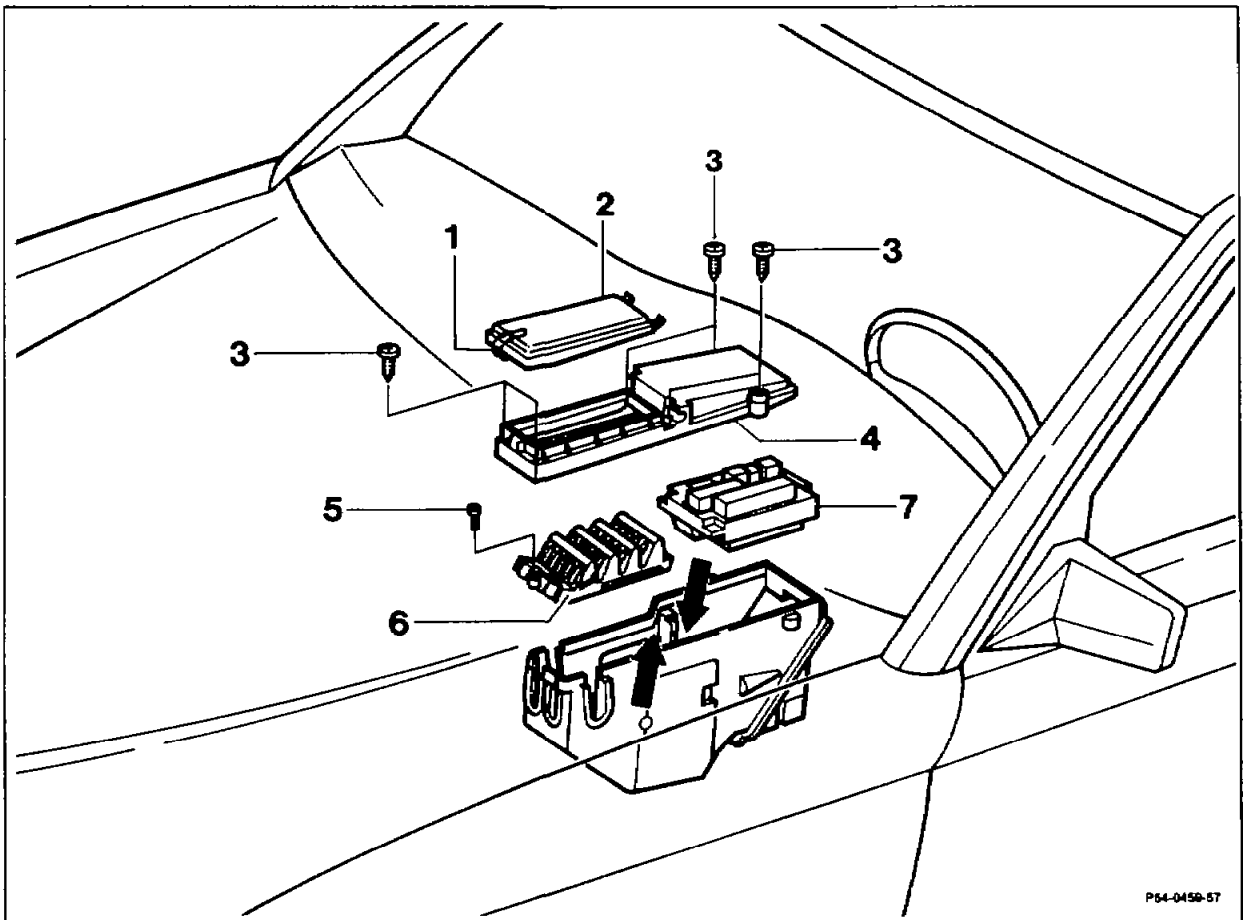


54-1255 Removing and installing front fuse and relay box and location of auxiliary fuse boxes

Operation no. of operation texts and work units or standard texts and flat rates:

A. Removal, Installation

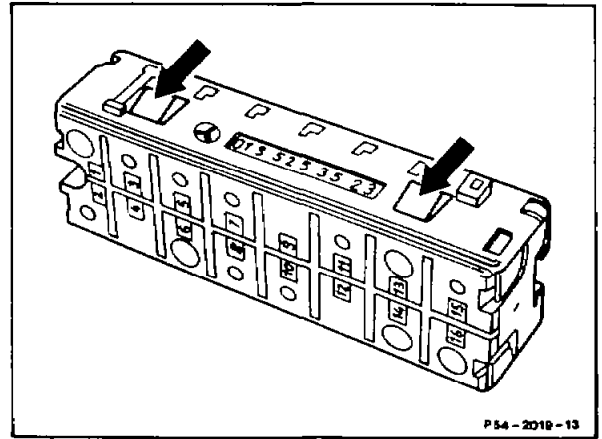


P64-0450-57

Catch (1)	open, close.
Cover of fuse box (2)	take off, fit on.
Phillips screws (3)	unscrew, screw in.
Cover of relay box (4)	take off, fit on.
Phillips screw (5)	unscrew, screw in.
Fuse carrier (8)	take out, insert.
Fuse and relay box	press apart (arrow).
Relay holder (7)	take out, insert.

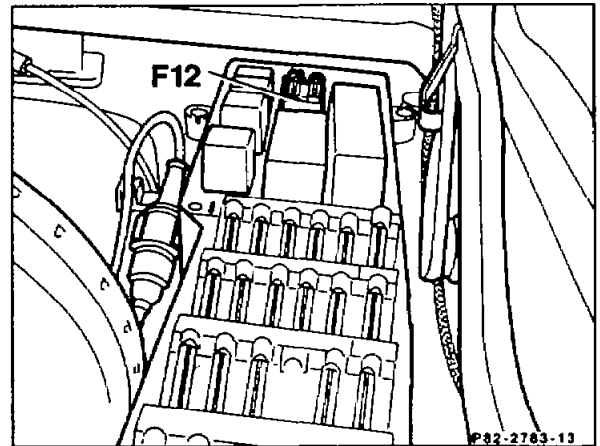
Note

The catches (arrows) must be pressed in order to remove the couplings for the relays.



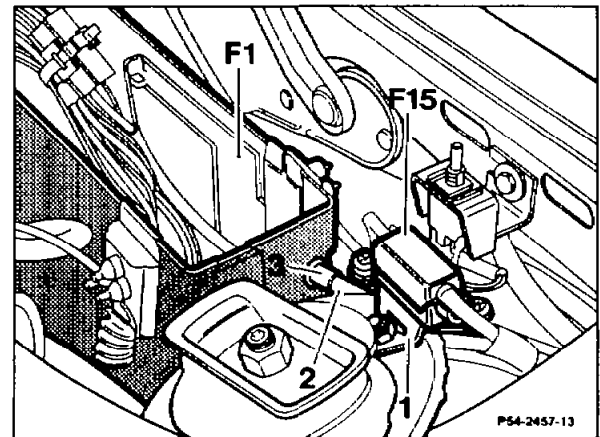
P54-2010-13

B. Location of auxilliary fuse boxes



P82-2763-13

F12 Auxiliary fuse box, auxiliary heater (STH)



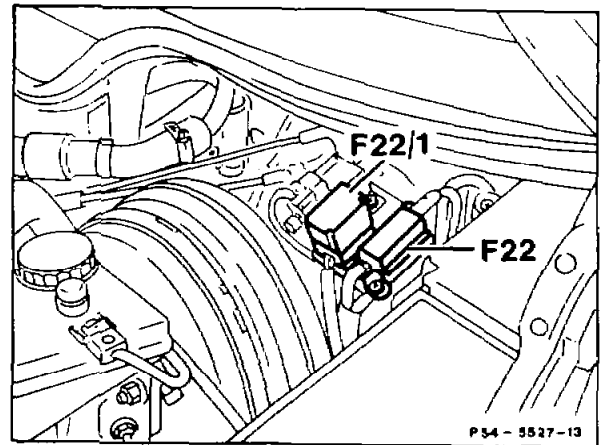
P54-2457-13

F15 Auxiliary fuse box, automatic climate control (KLA),
automatic temperature control (TAU) blower motor

F22 Auxiliary fuse box, automatic climate control (KLA), terminal 15X

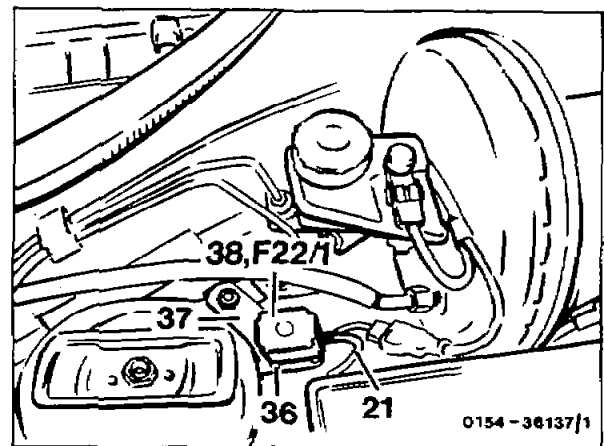
Model 124.034

F22/1 Auxiliary fuse box, trailer coupling/heated seats (AHV/SIH)

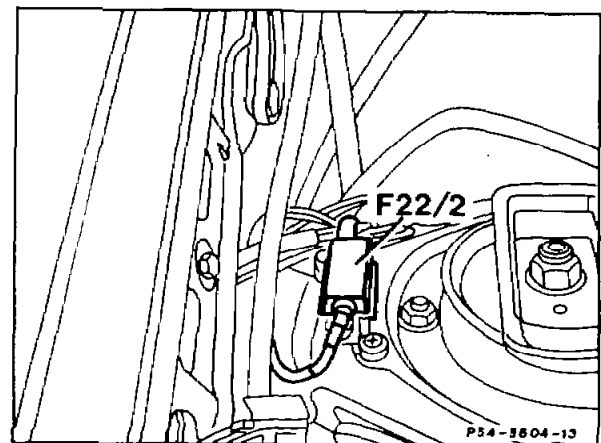


Except model 124.034

F22/1 Auxiliary fuse box, trailer coupling/heated seats (AHV/SIH)

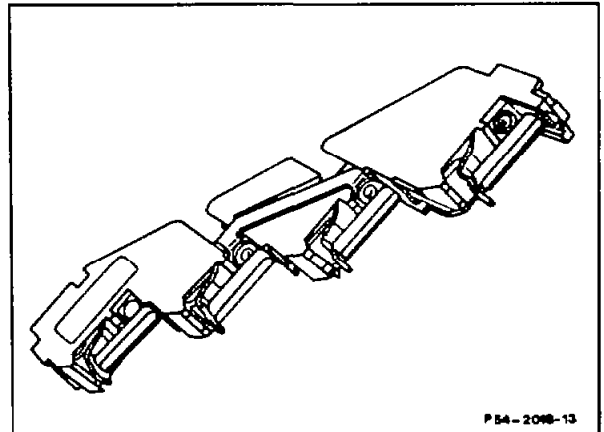


F22/2 Auxiliary fuse box, telephone, terminal 30



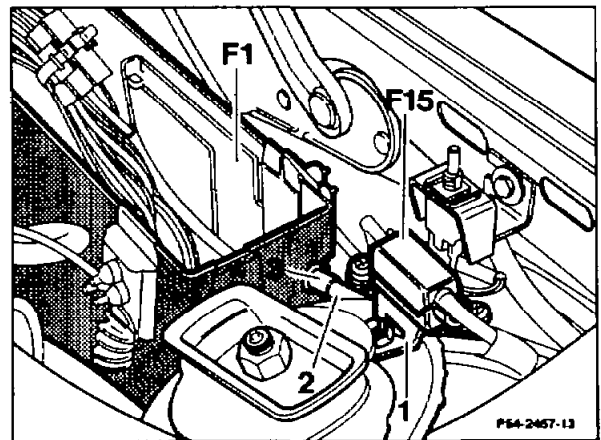
C. General

A fuse holder with 4 fuses may be inserted additionally for certain optional equipment.

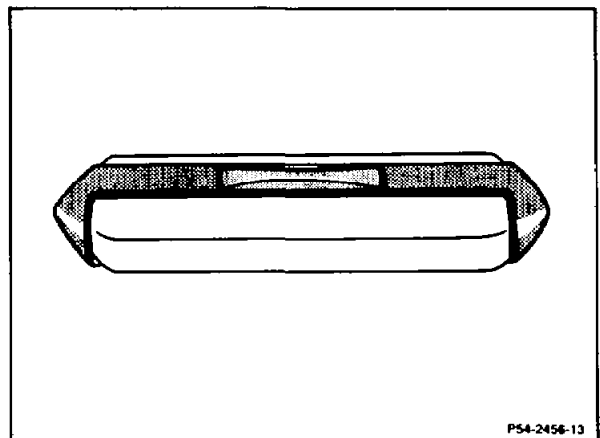


As of 07/86 vehicles with automatic climate control are fitted with an auxiliary fuse box (F15), automatic climate control (KLA)/automatic temperature control (TAU) blower motor, with a 30 A leaf fuse for the blower motor.

If, when working on the fuse and relay box on vehicles from start of production up to 06/86, it is found that the blower fuse (no. 12) has lowered, install the auxiliary fuse box (54-0180).



25 A fuses with solder point have been installed since 03/86.



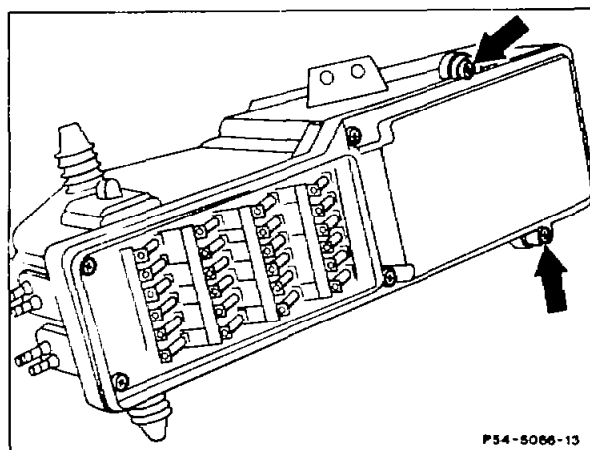
D. Replacing threaded sleeve

Note

The threaded sleeves for the rear securing screws of the relay box cover (arrows) can be replaced if the securing screws are tight and have to be drilled off.

Scope of work

- 1 Remove cover from fuse box.
- 2 Remove securing screws.
- 3 Drill off head of tight screw(s) with 7 mm dia. drill.
- 4 Remove cover of relay box.
- 5 Carefully knock out damaged threaded sleeve(s) with a punch.
- 6 Coat new threaded sleeve(s) with Loctite and draw into the housing with a screw.
- 7 Fit on covers again.



Parts

Designation	Part no.
M 4x25 screw	007985 004151
Threaded sleeve	000 545 11 50
Loctite	002 989 93 71