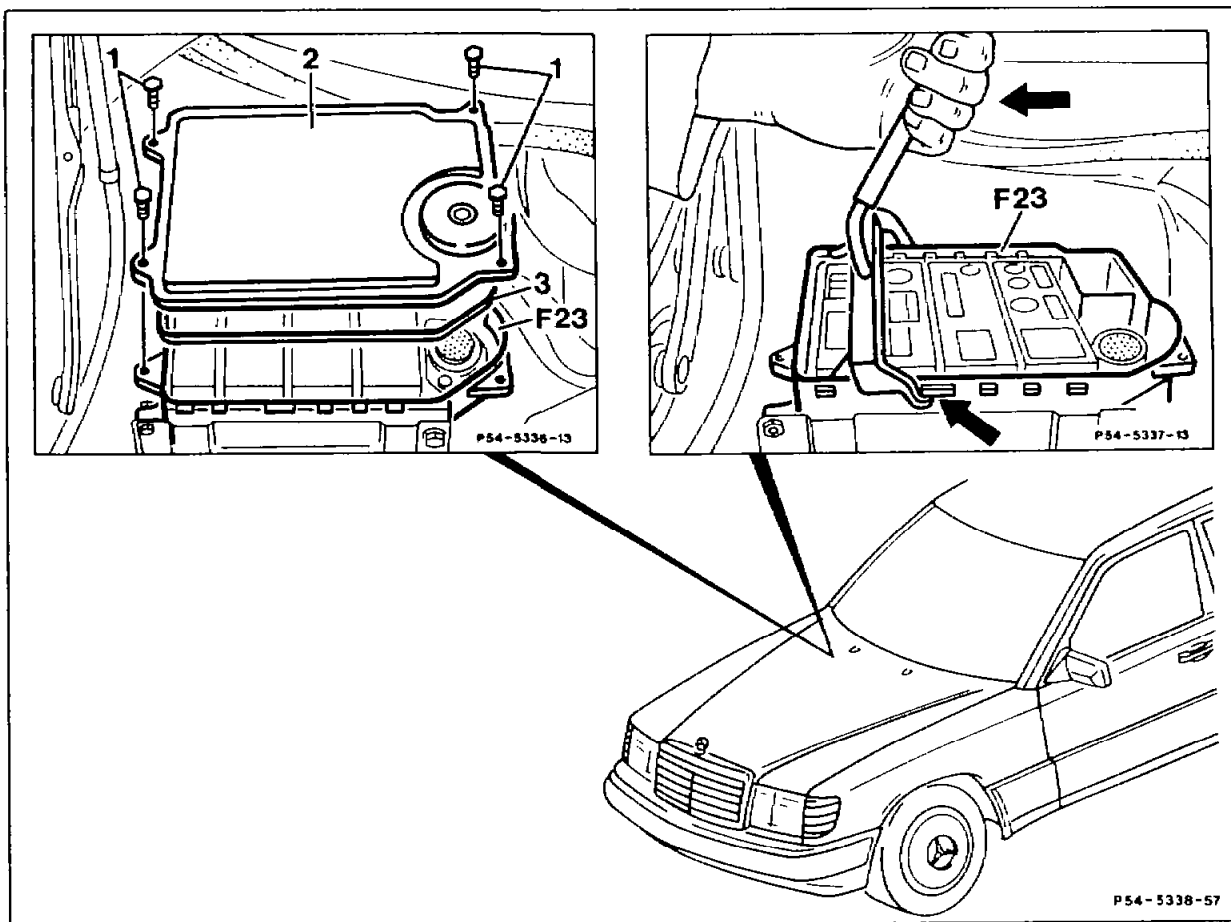


54-2300 Removing and Installing control units of module box (model 124.034/ .036)

Operation no. of operation texts and work units or standard texts
and flat rates:

A. Removal, Installation



Ground cable at battery	disconnect, connect.
Bolts (1)	unscrew, screw in.
Lid (2) of module box (F23)	lift off, fit on.

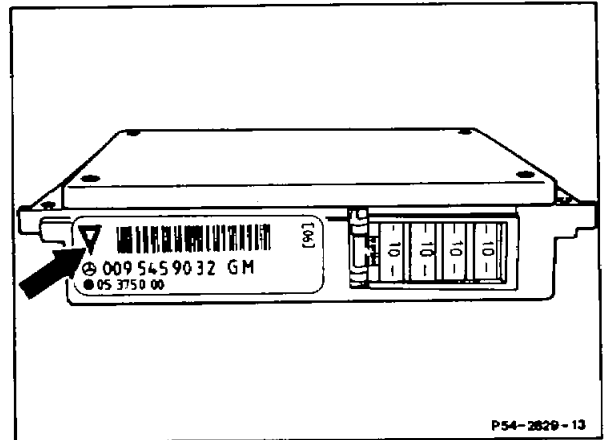
Gasket (3)
 Control units

check for signs of damage; when installing, ensure gasket (3) is correctly seated.
 remove with special tool 140 589 01 33 00. Install by hand, press in if necessary, with special tool 140 589 01 33 00; when doing this, pay attention to coloured marking of control units and coupling fields, see section B.

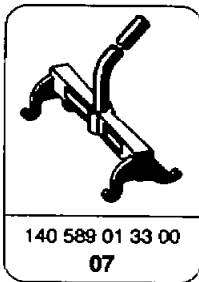
Note

All the control units and couplings in the module box are provided with a security element to prevent incorrect connection. In addition, coloured markings (arrow) are provided on the control units which are identical with the colours of the clutch housings.

A number of control units have two terminal strips, the coupling for the second terminal strip being darker in colour like the marking on the control unit.



Special tool



B. Module box assignment

Colored marking on control units	Color of harness connector
N3/1 hot wire (LH) control unit light green	Light green
	Dark green
N4/1 electronic accelerator pedal (EFP)/Tempomat cruise control (TPM) control unit light orange	Light orange
	Dark orange
N16/1 base module (GM) black	Black
N30/1 ASR control unit light grey	Light grey
	Dark grey

