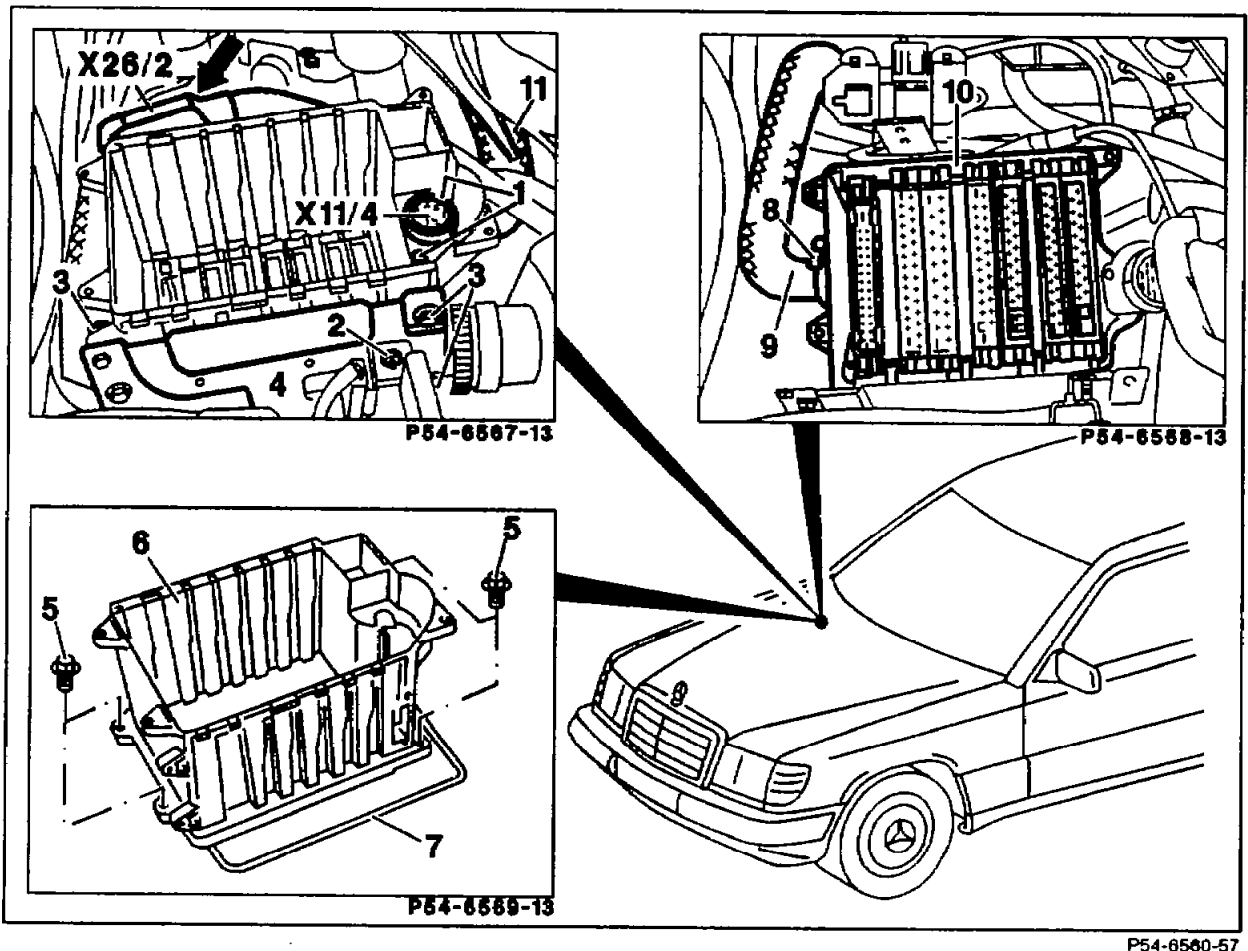


## 54-2360 Removing and installing module box (model 124.034/ .036)

Preceding work  
Control units of module box removed (54-2300).

Operation no. of operation texts and work units or standard texts  
and flat rates:

### A. Removal, Installation



Battery ground cable .....	disconnect, reconnect.
Component compartment cover behind module box .....	remove, reinstall.
Screws (1) .....	screw out, screw in.
Test coupling for diagnosis (pulse signal) (X11/4) .....	remove, install.
Screws for bracket (arrow) .....	screw out, screw in.
Plug connection, engine separation point (X26/2) and bracket .....	remove, install.
Nut (2) (if present) .....	screw off, screw on.
Mono valve (if present) .....	remove, install.

Screws (3) .....	screw out, screw in.
Bracket (4) (if present) .....	remove, install.
Hose strap on vent hose (11) .....	loosen, tighten.
Vent hose (11) .....	remove, install.
Screws (5) .....	screw out, screw in.
Control unit bracket (6) .....	remove, install.
Gasket (7) .....	check for damage. When installing ensure that gasket (7) is seated properly.
Bracket with wiring harness couplings .....	unclip, clip in.
Wiring harness couplings on bracket .....	unclip, clip in.

**Note**

See section B for wiring harness coupling assignments.

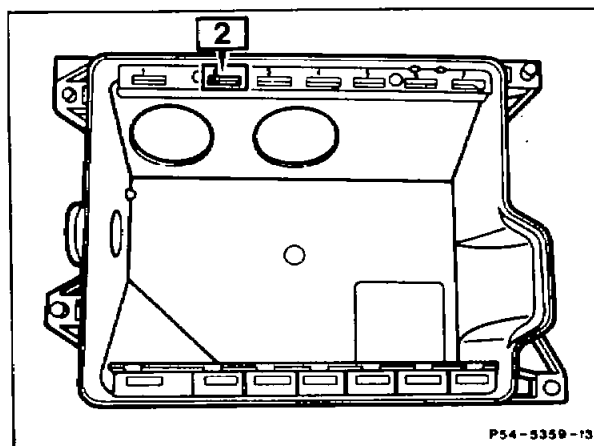
Wiring harnesses .....	pull out of module box housing, reinstall.
Hose strap (8) .....	on vent hose (9) loosen, tighten.
Vent hose (9) .....	remove, reinstall.
Module box housing (10) .....	remove, install.



## B. Assignment of module box housing

The individual coupling fields of the module box housing are marked on the right-hand edge by a digit.

This enables the appropriate holders to be matched with the cable set coupling by means of the digit and colour of the coupling holder.



Module box housing Code digit on coupling field	Colour of cable set couplings
1	black
2	light grey
3	dark grey
4	light orange
5	dark orange
6	light green
7	dark green