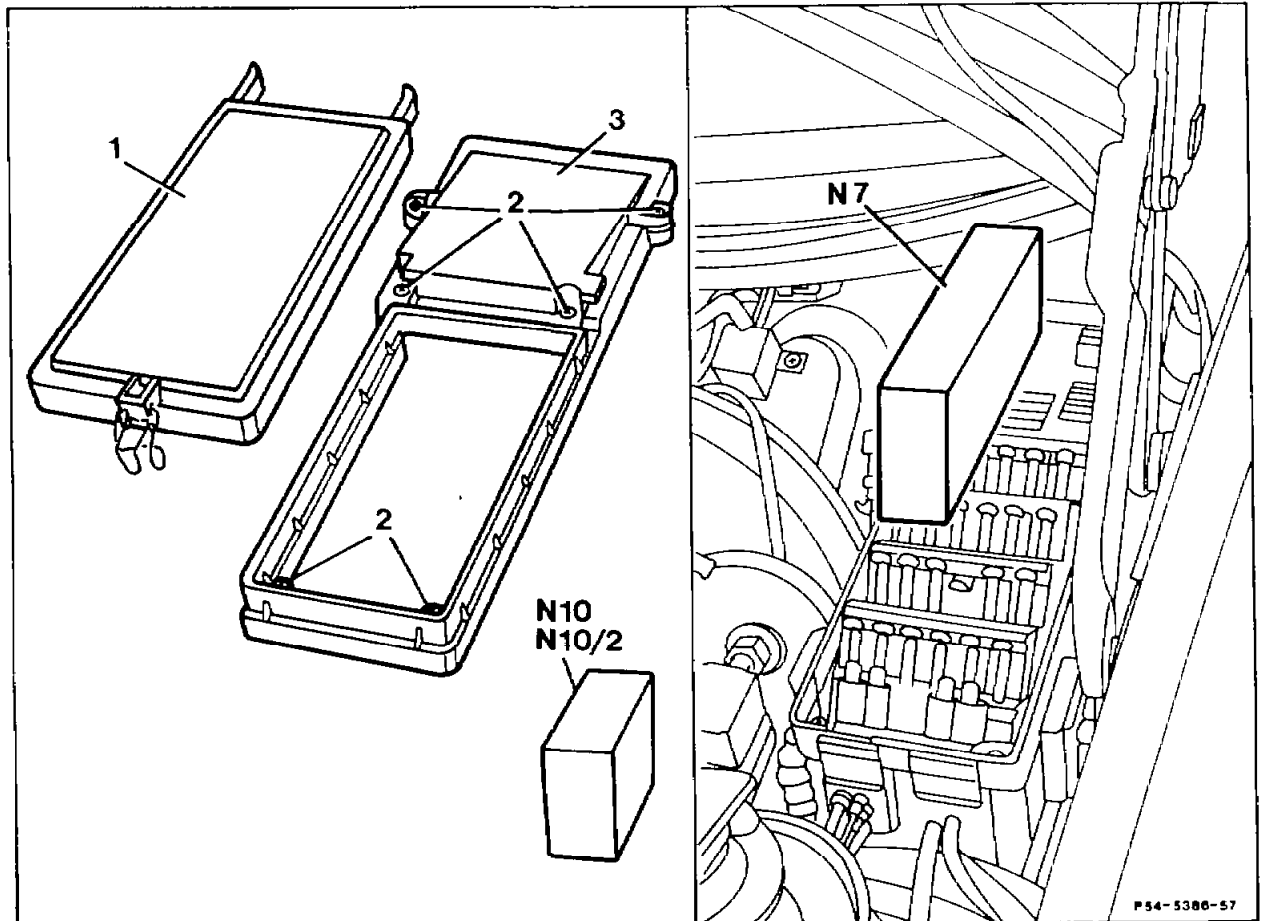


# 54-6075 Removing and installing exterior lamp failure monitoring unit

Operation no. of operation texts and work units or standard texts and flat rates:



Catch .....	open, close.
Cover of fuse box (1) .....	take off, fit on.
Screws (2) .....	unscrew, screw in.
Cover of relay box (3) .....	take off, fit on.
Combination relays (N10, N10/2) .....	take out, insert.
Lamp failure monitoring unit (N7) .....	remove, unplug both couplings on outside, plug in and insert.