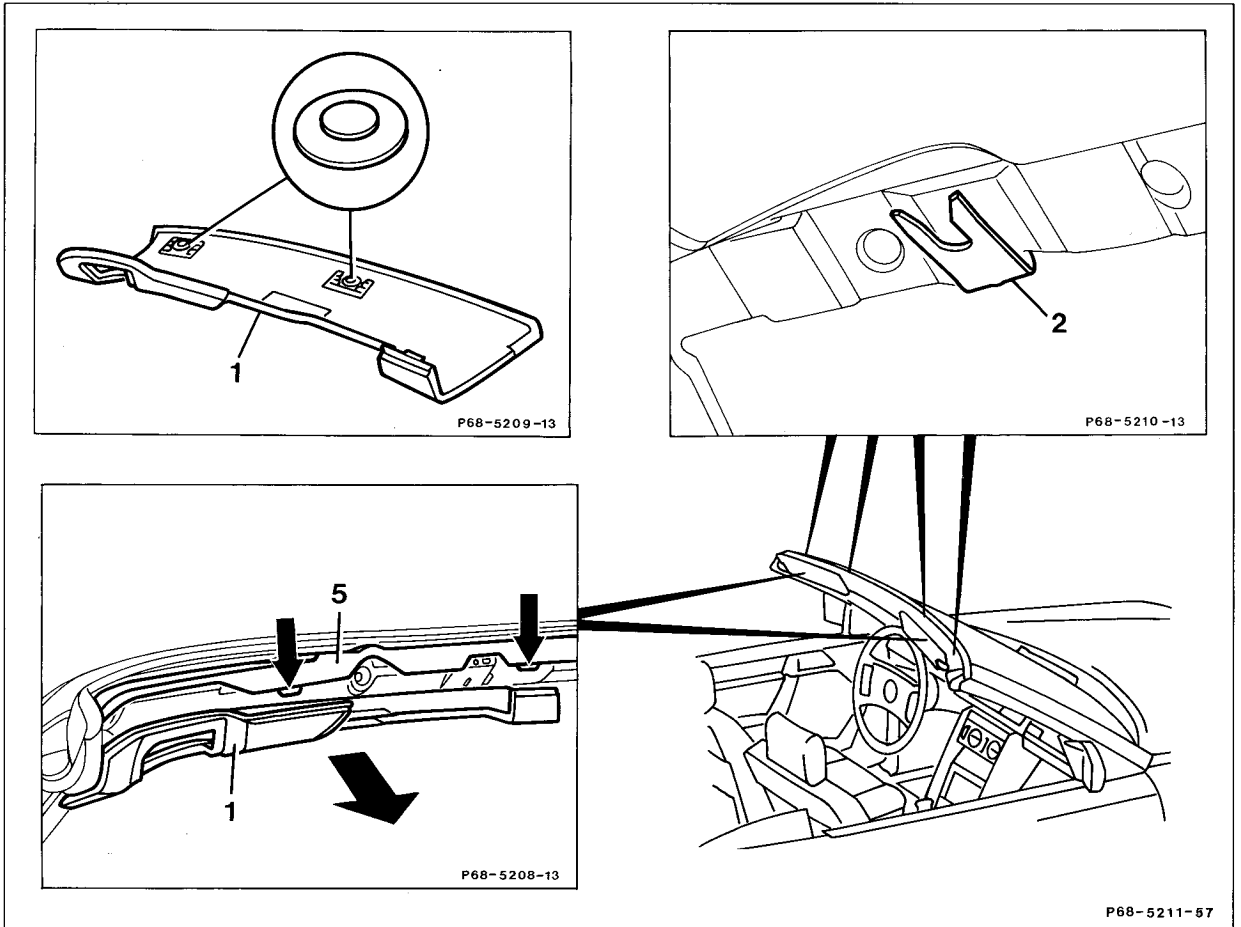


# 68-425 Removal and installation of reveal molding at top of windshield (convertible)

**Preliminary work:**

- Removal and installation of lever for lock actuation
- Removal and installation of sun visor and mounts
- Removal and installation of recess handle on lock actuation
- Removal and installation of roof control unit (plug connection not disconnected)



Panel (1) ..... remove in direction of arrow, install.

**Note**

To install hook the panel (1) into the clip (2) on the roof frame and slide between the tabs (arrows) for the panel (5).