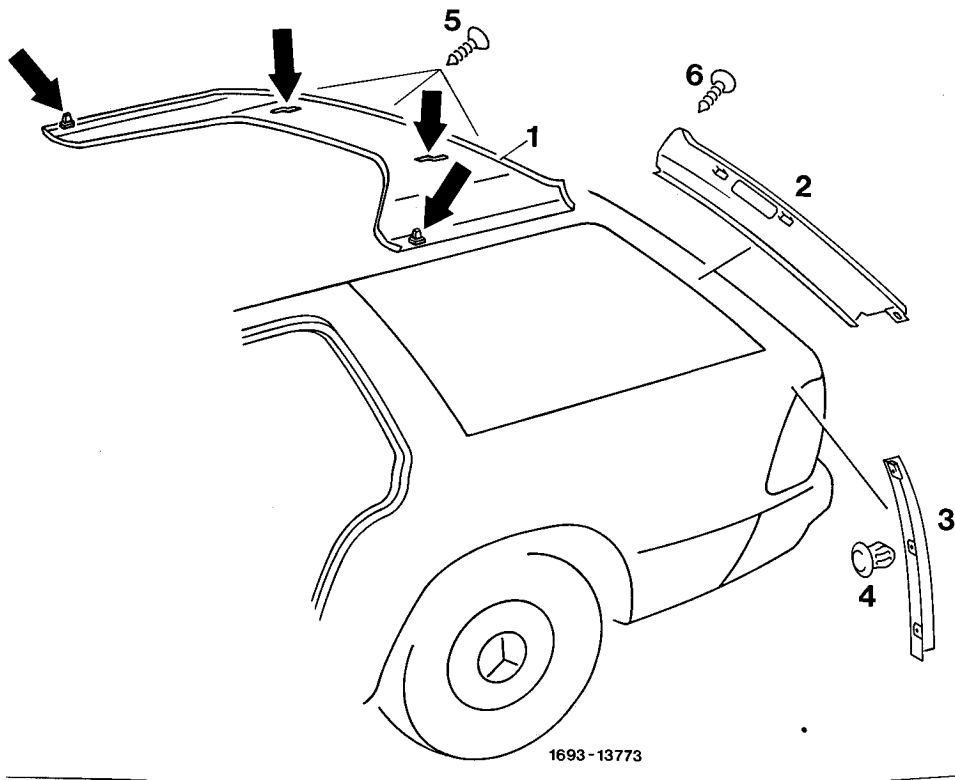


68-447 Removal and installation of trim on roof frame, rear

Trim on rear pillar left and right removed (68-449)



- | | |
|------------------|---|
| Screws (5) | screw 5 each out - in |
| Trim (1) | clip out - in at front left and right (front arrows) |
| Trim (1) | pull out of mount in roof frame toward the rear (rear arrows) |

Installation note

Plug trim following installation under rubber lip of sealing frame by means of a plastic wedge.



168 - 32474