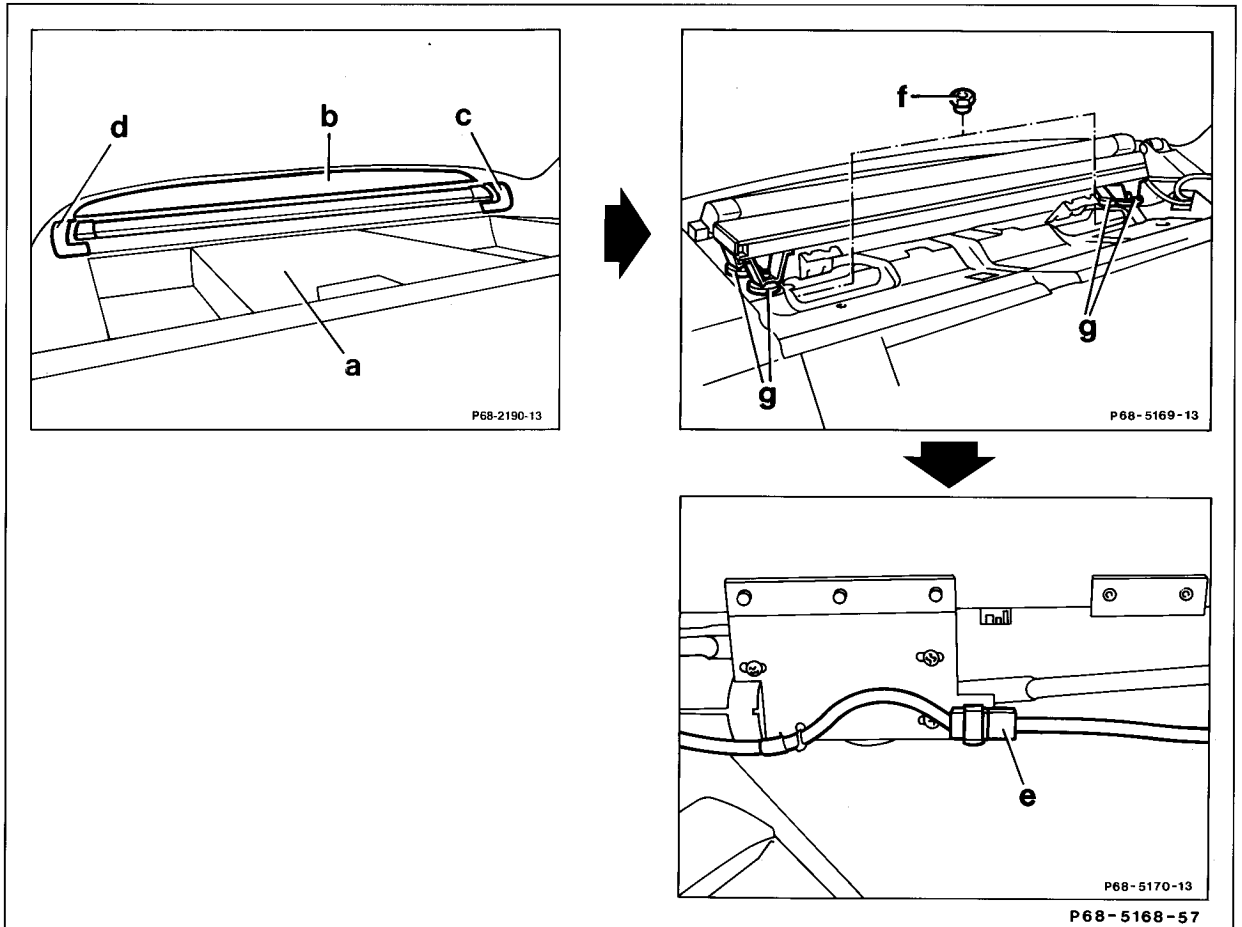


68-460 Removal and installation of electrical roller blind for rear window

Preliminary work:
Ground lead on battery disconnected

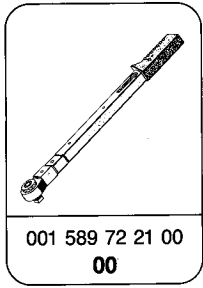


Covers (b, c, d)	unclip, clip in.
Rear shelf (a)	remove, install (68-458).
Mounting nuts (f)	screw off, screw on (6.5-7 Nm).
Plug connector on motor (e)	disconnect, connect.
Blind	remove, install.

Note

During assembly check the installation position of the blind and correct with spacers (g), if required.

Special tool



1002