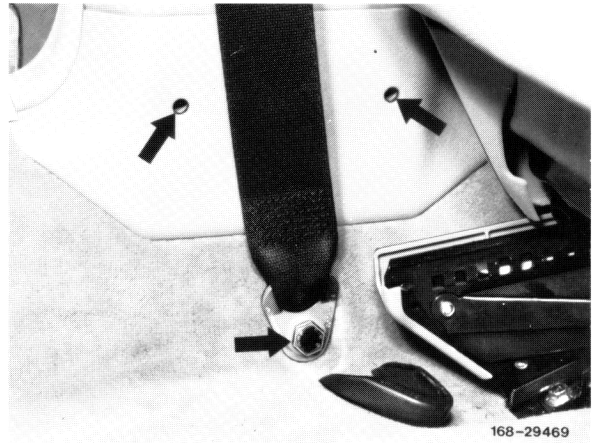


68-470 Removal and installation of trim on center pillar

Removal

- 1 Turn out screws and unscrew belt end fitting.
- 2 Pull off chafing strip in range of center pillar trim.
- 3 Pull of trim from center pillar to vehicle center.



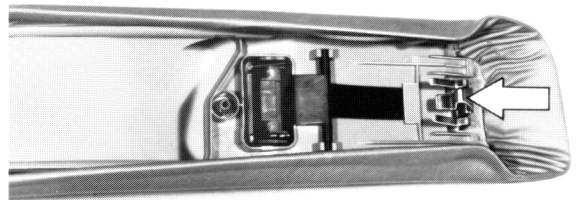
168-29469

Installation

- 4 Align upper fastening clamp.
- 5 For further installation proceed vice versa.

Attention!

To prevent damage to safety belt, be absolutely sure that, upon installation of trim, the upper belt guide fitting is always freely movable. If required, correct covers or trim which are interfering with installation position.

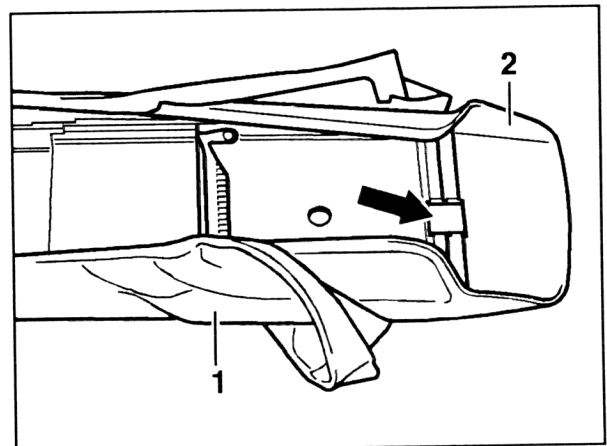


168-29468

Repairing broken clip mounts

It is possible to repair broken webs for the mounting clips (arrow).

- 1 Carefully remove MB Tex foil (1) in upper area of trim (2) and remove all web material (arrow).

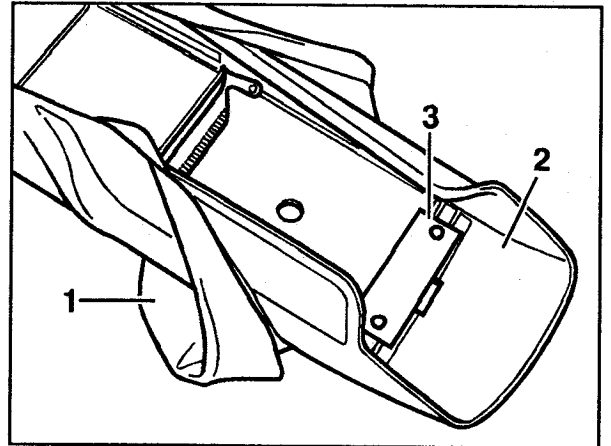


P68-5331-13

2 Fabricate sheet metal strip (60x20x1) and drill two 4.2 mm dia. holes.

3 Position sheet metal strip (3) on inside of trim (2) and mark holes on trim.

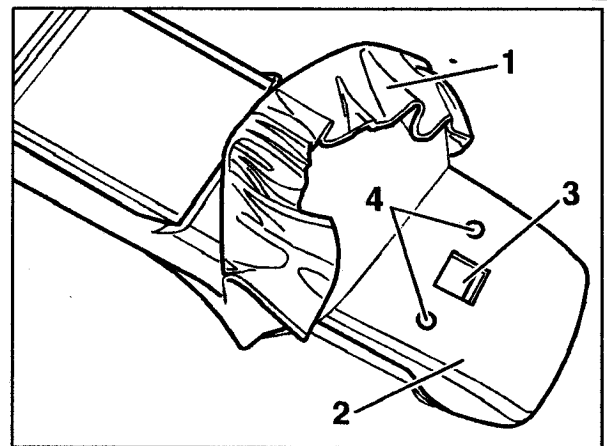
4 Drill holes in trim (4.2 mm dia.).



P68-5332-13.

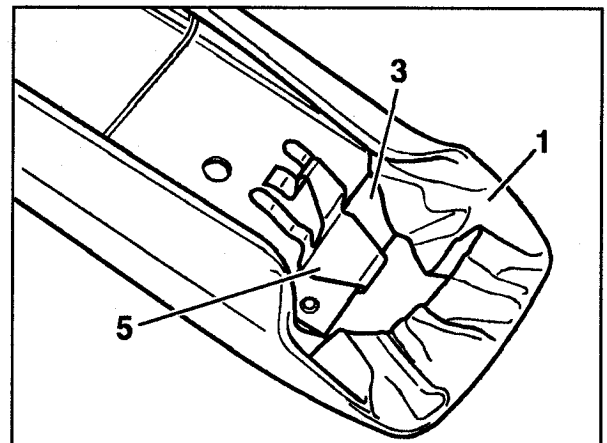
5 Rivet sheet metal strip (3) onto trim (2) with blind rivets (4.4 mm dia.).

6 Glue MB Tex foil (1) onto trim (2) with universal glue, part no. 000 989 82 71, and align.



P68-5333-13

7 Attach mounting clip (5) to sheet metal strip (3).



P68-5334-13